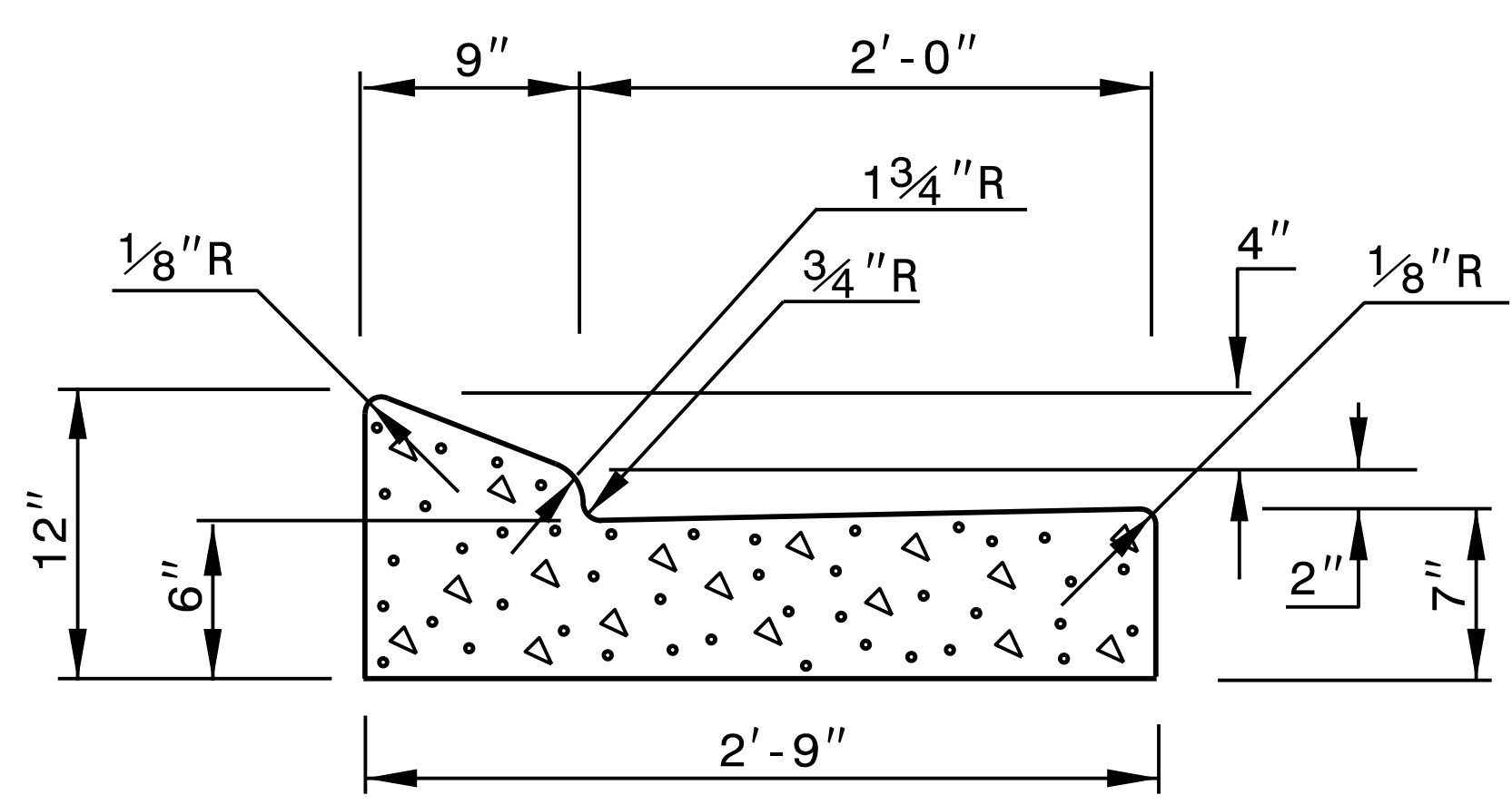
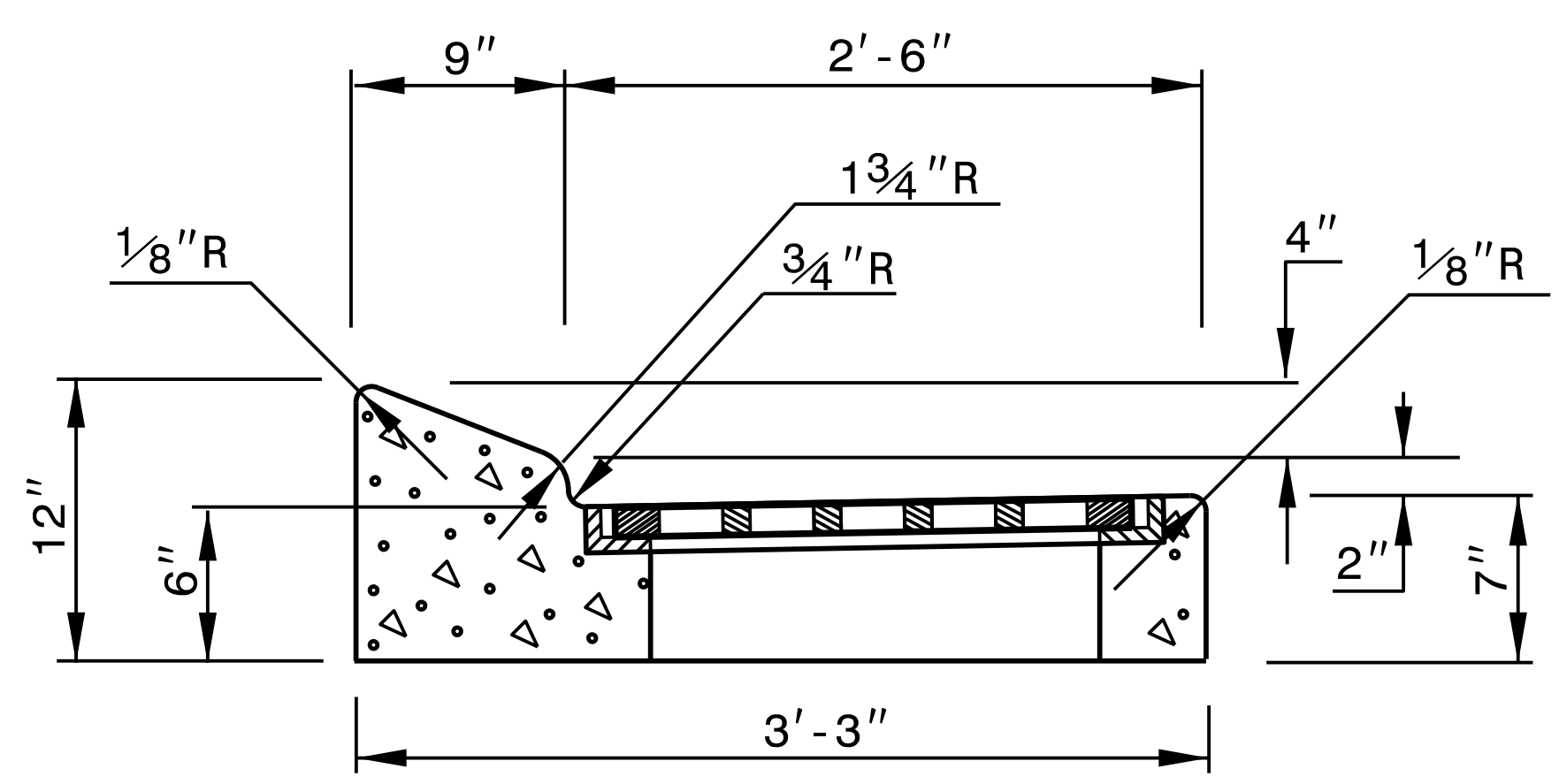


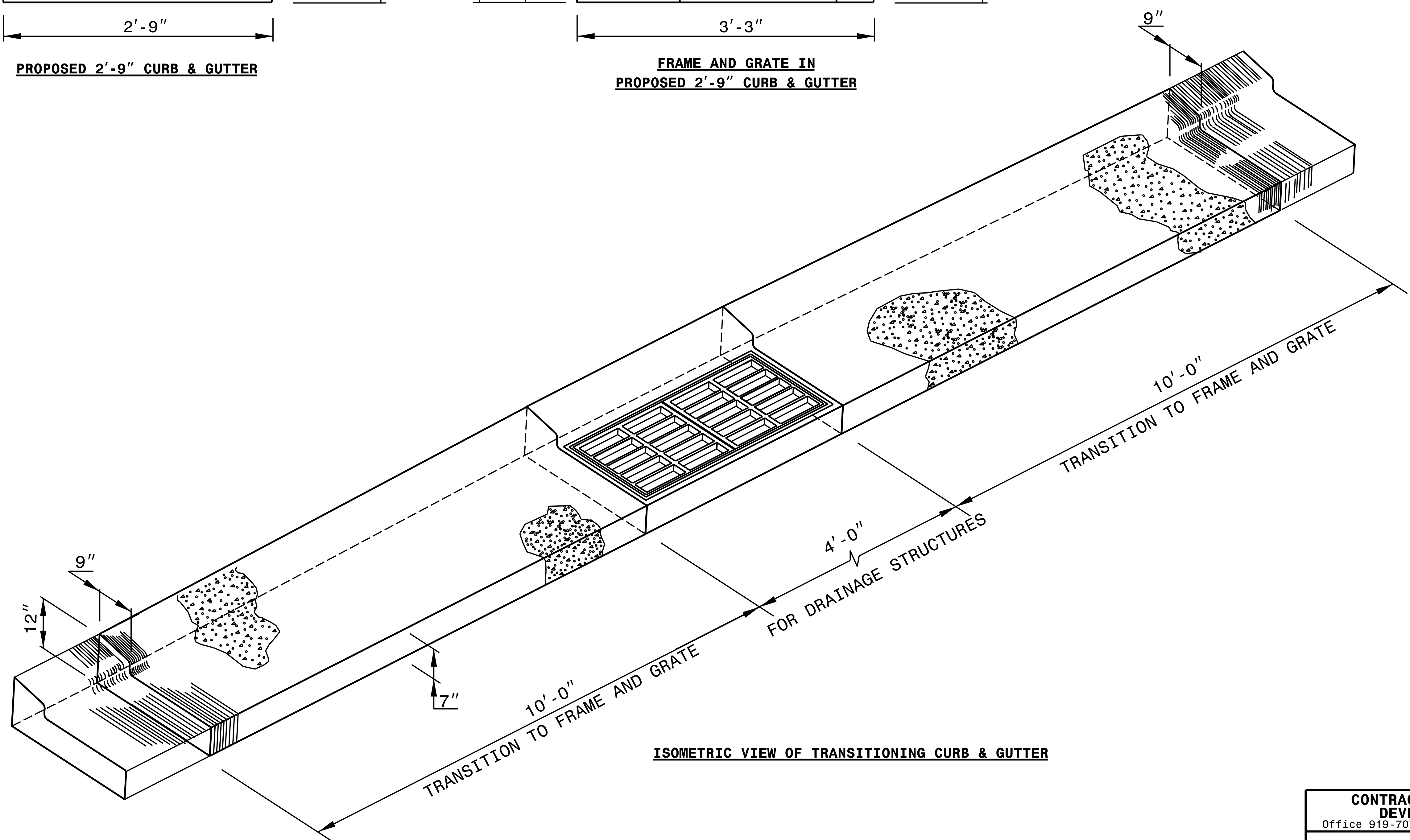
5/14/23



PROPOSED 2'-9" CURB & GUTTER



FRAME AND GRATE IN PROPOSED 2'-9" CURB & GUTTER



ISOMETRIC VIEW OF TRANSITIONING CURB & GUTTER

9/14/2023



DocuSigned by:  
Nicole M. Heckler  
588432034164C5...

DOCUMENT NOT CONSIDERED FINAL  
UNLESS ALL SIGNATURES COMPLETED

**CONTRACT STANDARDS AND DEVELOPMENT UNIT**  
 Office 919-707-6950 FAX 919-250-4119

**DETAIL OF 2'-9" TO FRAME AND GRATE**

ORIGINAL BY: _____	DATE: _____
MODIFIED BY: _____	DATE: _____
CHECKED BY: _____	DATE: _____
FILE SPEC.: kkempf/english/curb_gutter_transition.dgn	