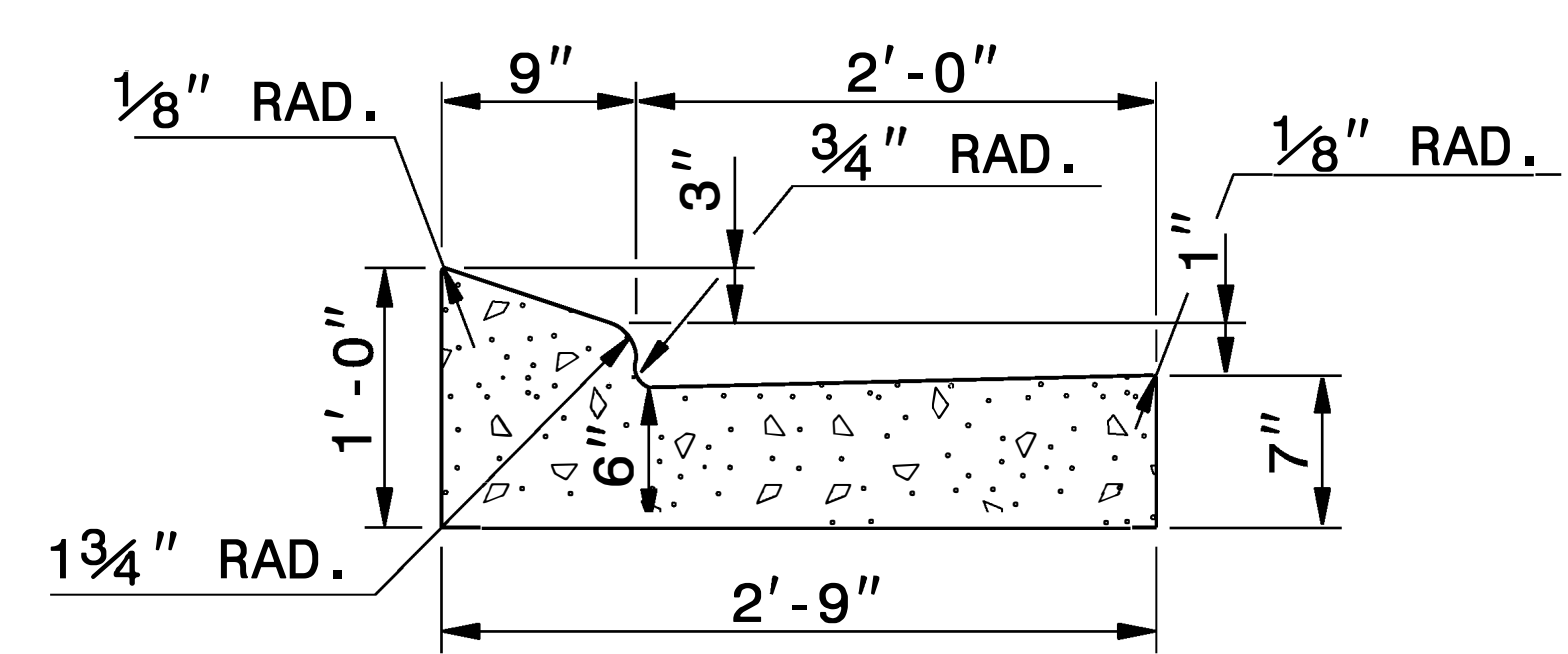


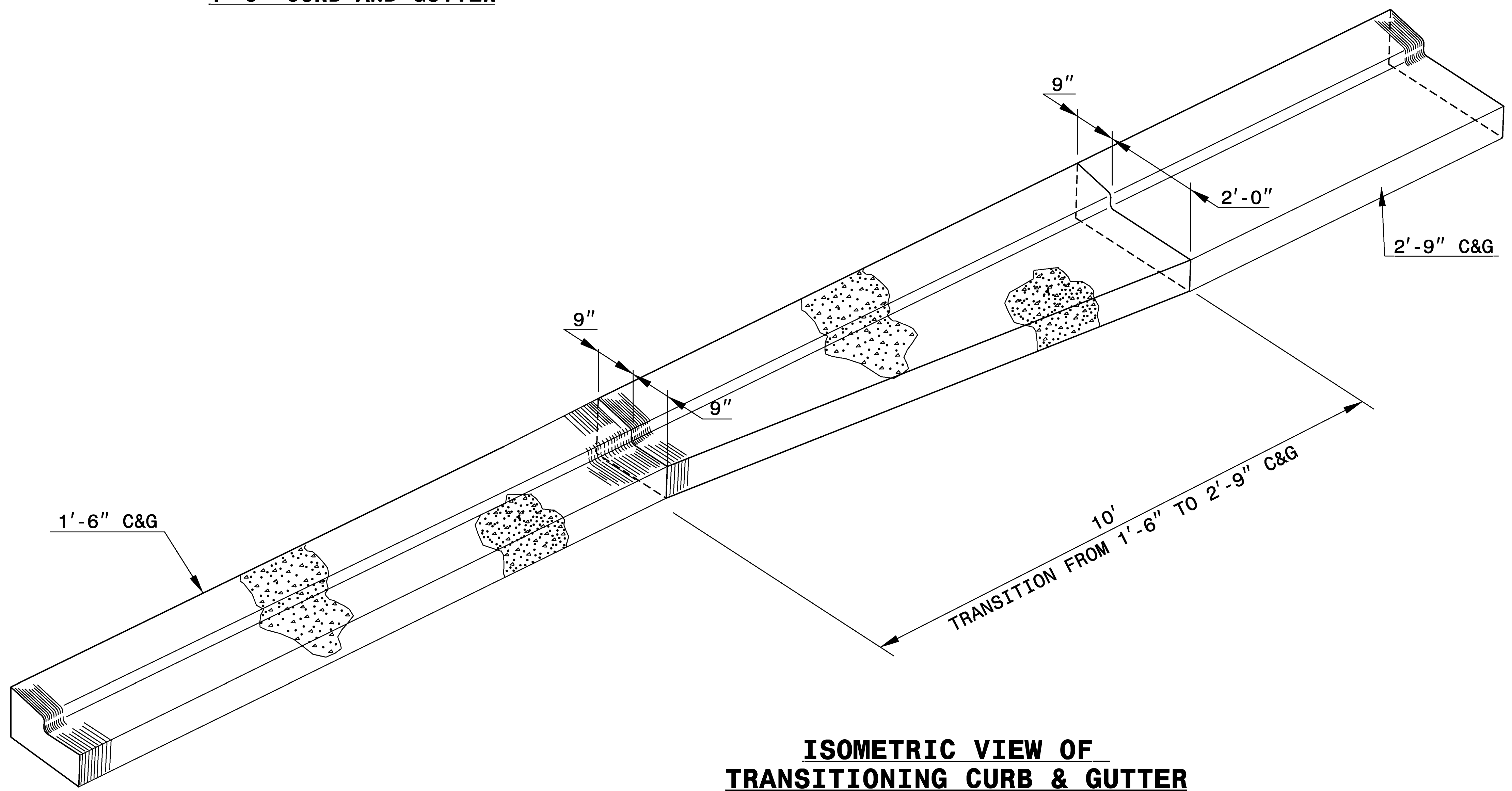
1'-6" CURB AND GUTTER



2'-9" CURB AND GUTTER

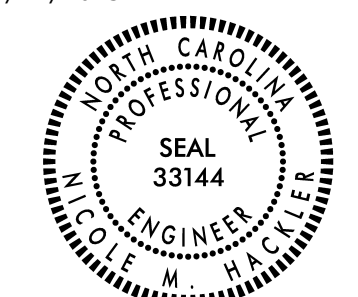
NOTE: SEE STD. DWG. 846.01 FOR ADDITIONAL CURB AND GUTTER INFORMATION.

SEE ROADWAY PLANS FOR LOCATION OF CURB TRANSITION.



**ISOMETRIC VIEW OF
TRANSITIONING CURB & GUTTER**

9/14/2023



DocuSigned by:
Nicole M. Heckler
5884323034164CS

DOCUMENT NOT CONSIDERED FINAL
UNLESS ALL SIGNATURES COMPLETED

**CONTRACT STANDARDS
AND DEVELOPMENT UNIT**
Office 919-707-6950 FAX 919-250-4119

**DETAIL OF 1'-6"
TO 2'-9" CURB & GUTTER
TRANSITION SECTION**

ORIGINAL BY: T.S. SPELL	DATE: NOV. 26, 2001
MODIFIED BY: T.S. SPELL	DATE: JAN. 23, 2007
CHECKED BY:	DATE:
FILE SPEC.: DS174:\usr\details\stand\catransit.dgn	