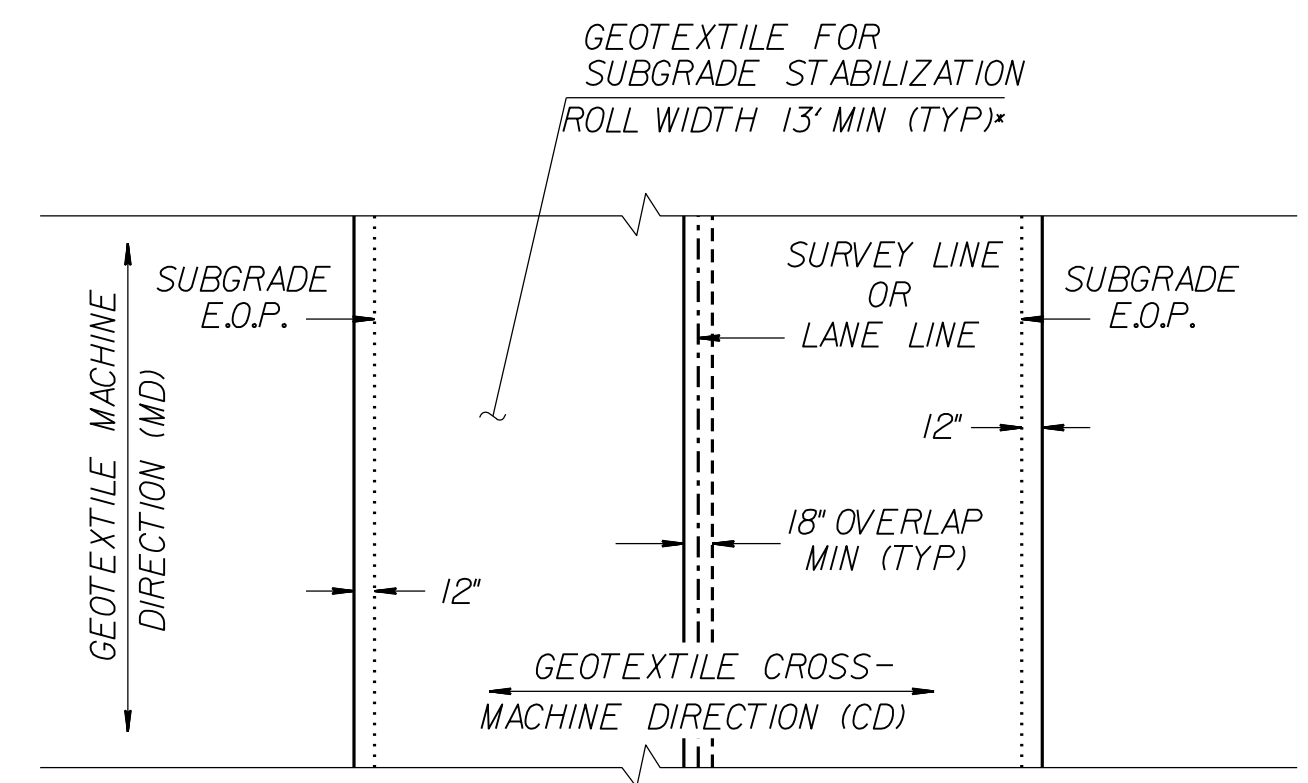


6/2/2019

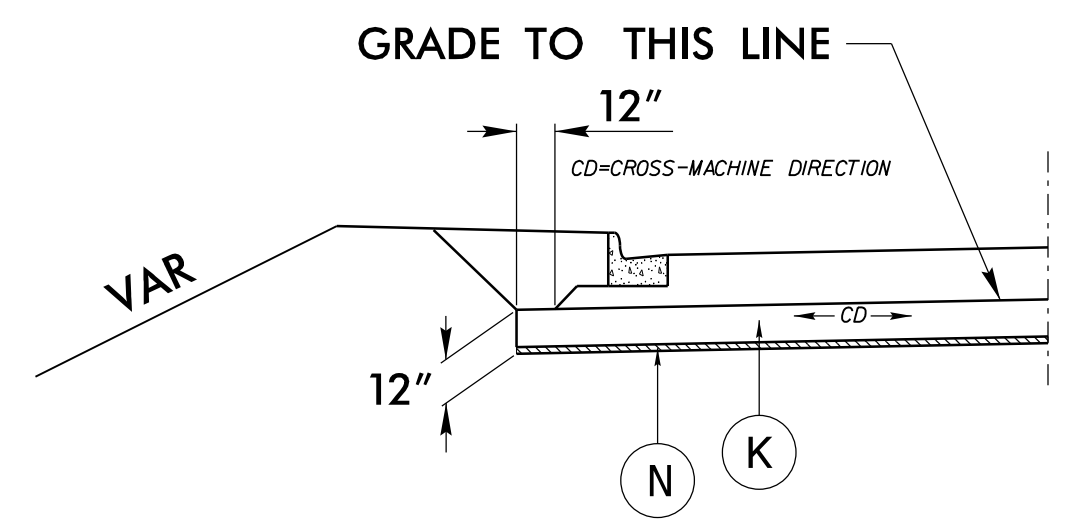
PAVEMENT SCHEDULE (FINAL PAVEMENT DESIGN)	
C1	1 1/2" S9.5B
C2	3" S9.5B
C3	2.5" S9.5B
C4	VAR. S9.5B
D1	4" I19.0C
D2	VAR. I19.0C
E1	4" B25.0C
E2	5" B25.0C
E3	VAR. B25.0C
K	12" CLASS IV
N	GEOTEXTILE
R1	1'-6" C & G
R2	2'-6" C & G
R3	2'-9" C & G
R4	5" MCI
R5	8"X18" CURB
S	4" SIDEWALK
T	EARTH MATERIAL
U	EXIST. PAVEMENT
V1	INCIDENTAL MILL.
V2	1 1/2" MILLING
W	WEDGING

NOTE: PAVEMENT EDGE SLOPES ARE 1:1 UNLESS SHOWN OTHERWISE.



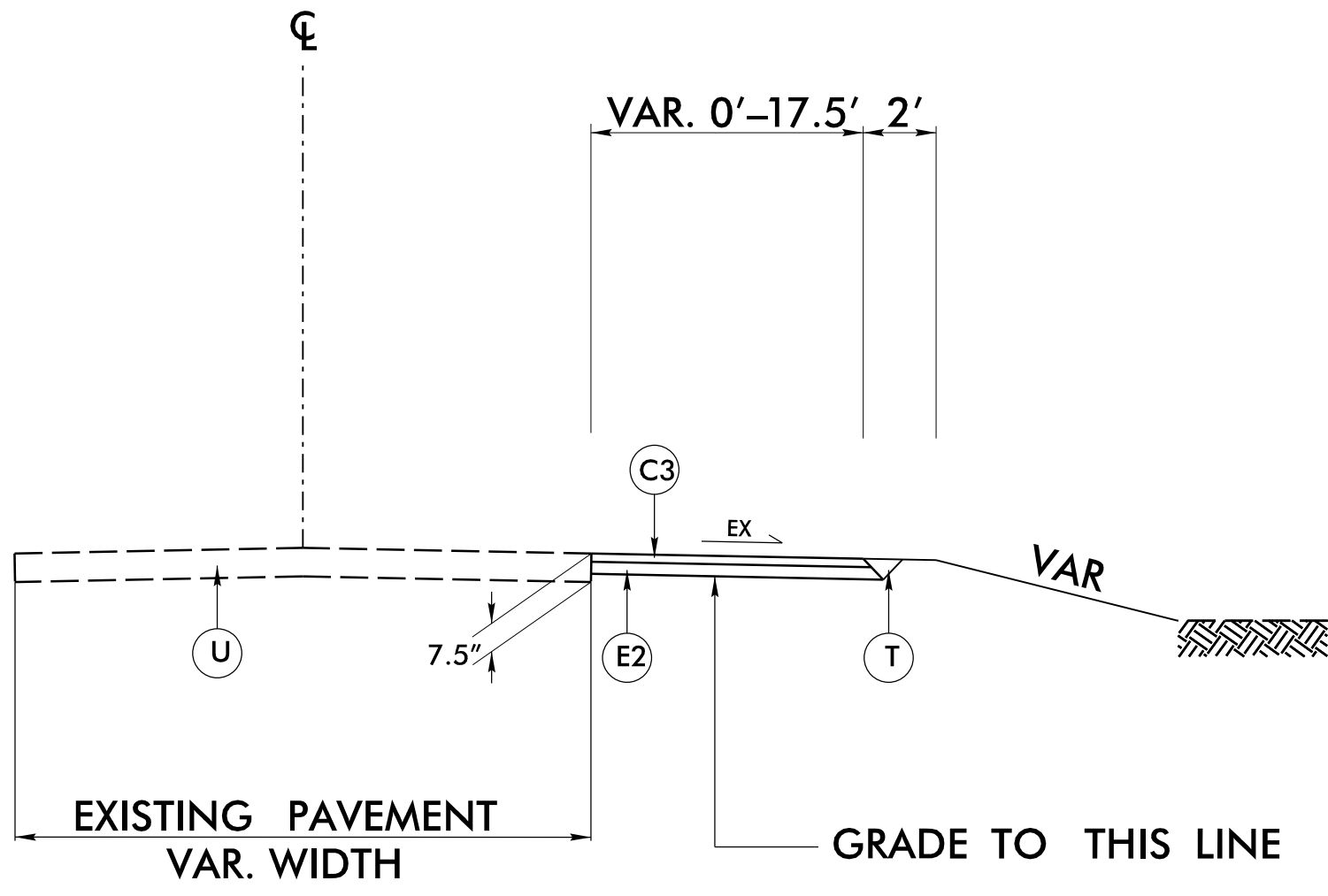
**GEOTEXTILE FOR SUBGRADE STABILIZATION PLACEMENT (PLAN VIEW)**  
(100% COVERAGE REQUIRED)

\*INSTALL GEOTEXTILE FOR SUBGRADE STABILIZATION WITH MINIMUM ROLL WIDTH UNDER ROADWAY EDGES AND SHOULDERS ADJACENT TO FILL SLOPES



**DETAIL FOR SHALLOW UNDERCUT**

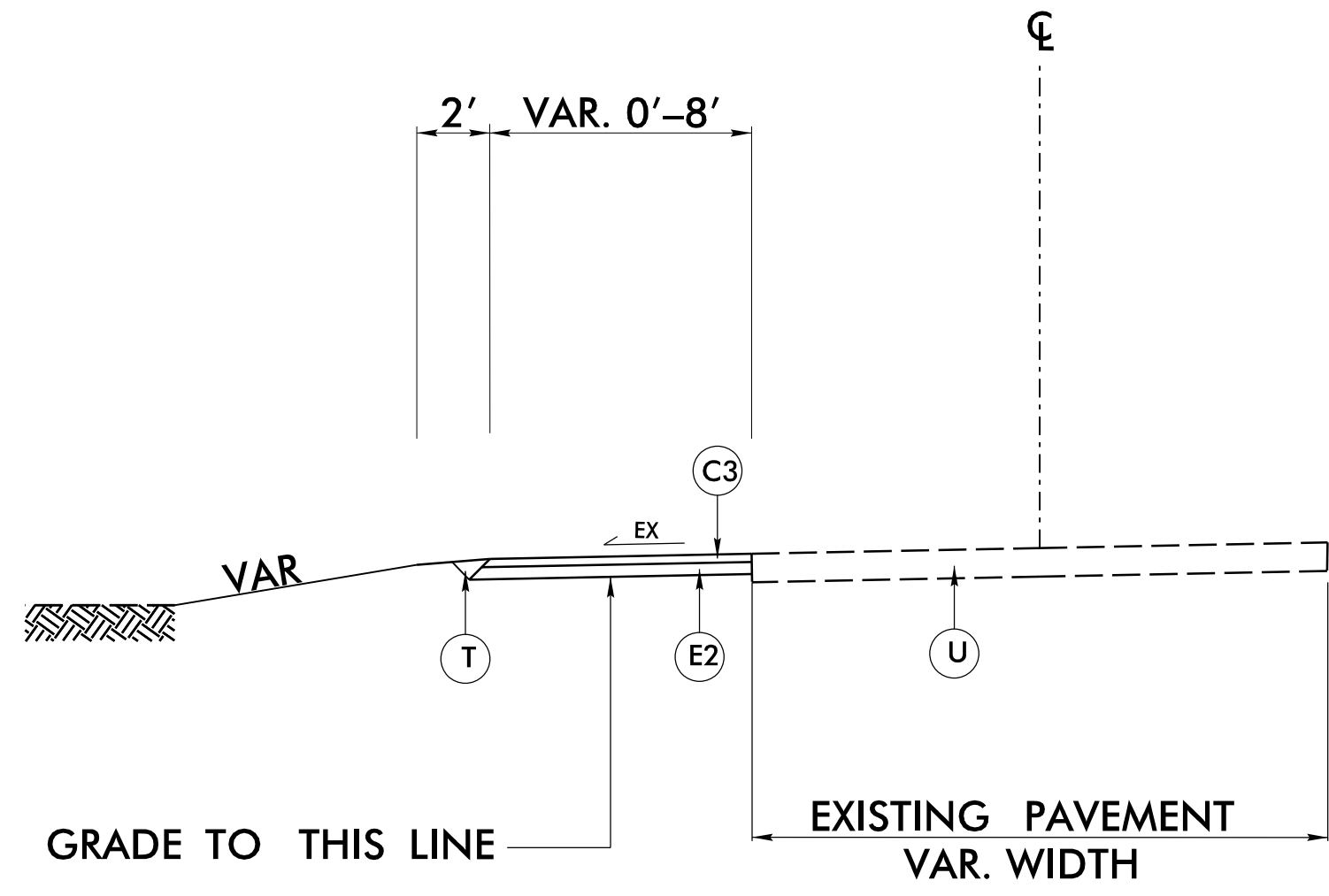
-L- STA 92+75 TO 97+25  
-L- STA 102+75 TO 105+25



**TYPICAL SECTION NO. 9**

USE TYPICAL SECTION NO. 9

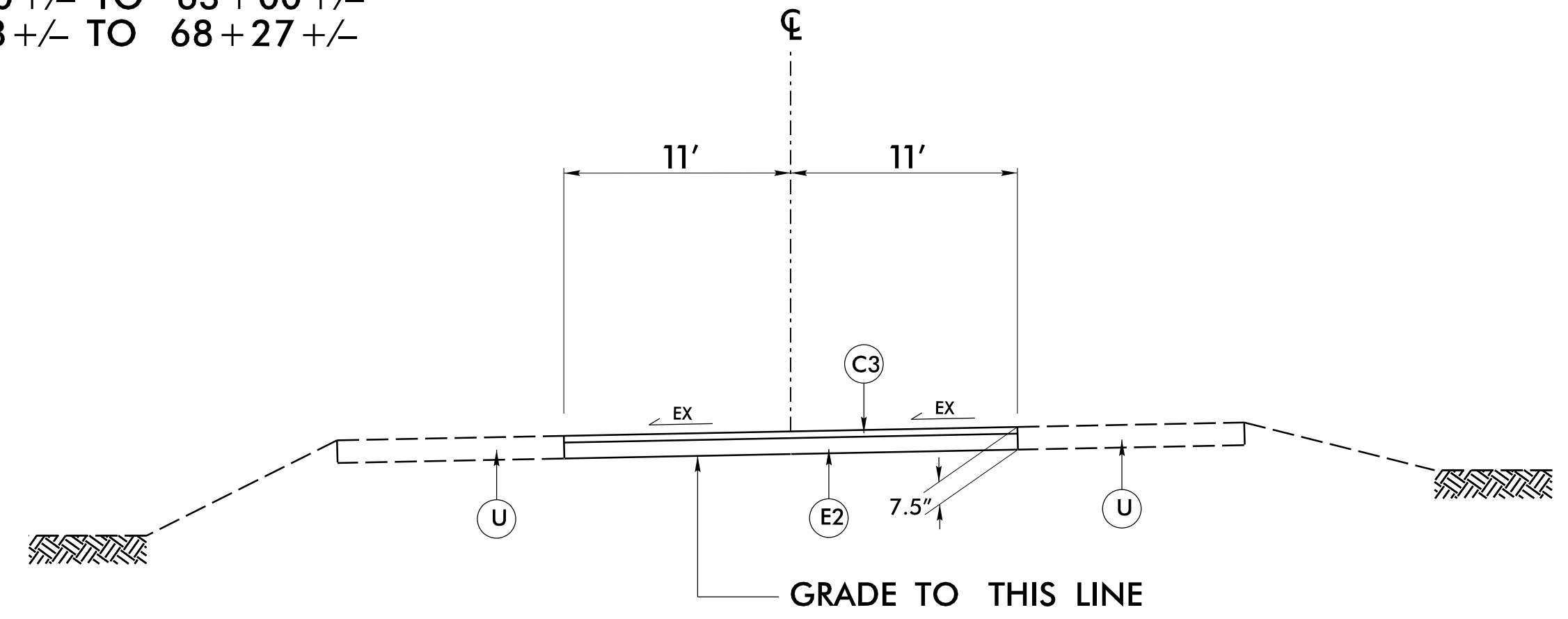
-L- STA 17+10 +/- TO 21+85 +/-  
-L- STA 56+00 +/- TO 63+00 +/-  
-L- STA 66+18 +/- TO 68+27 +/-



**TYPICAL SECTION NO. 10**

USE TYPICAL SECTION NO. 10

-L- STA 22+50 +/- TO 26+36 +/-



**TYPICAL SECTION NO. 11**

USE TYPICAL SECTION NO. 11

-L- STA 20+35 +/- TO 24+72 +/-

PROJECT REFERENCE NO. <b>U-5824</b>	SHEET NO. <b>2A-5</b>
ROADWAY DESIGN ENGINEER 9/15/2023 <b>Faith Jahnske</b> SEAL 046981 ENGINEER EX. NORTH CAROLINA PROFESSIONAL SEAL	PAVEMENT DESIGN ENGINEER 9/15/2023 <b>Connie K. James</b> SEAL 018969 ENGINEER EX. NORTH CAROLINA PROFESSIONAL SEAL
<b>DOCUMENT NOT CONSIDERED FINAL UNLESS ALL SIGNATURES COMPLETED</b>	
Prepared in the Office of: <b>SUMMIT</b> DESIGN AND ENGINEERING SERVICES	NC FIRM LICENSE No. P-0339 320 Executive Ct. Hillsborough, NC 27278 (919) 732-3883 (919) 732-6676 (FAX)

14-SEP-2023 15:46.dgn  
U-5824\_Roadway Design  
Faith Jahnske