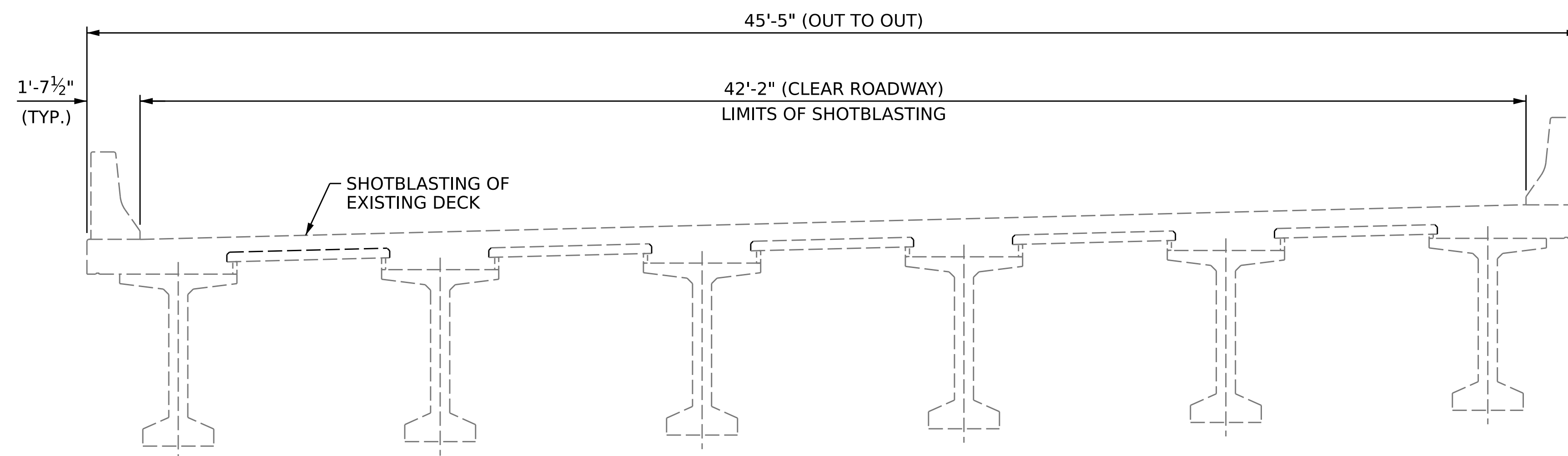
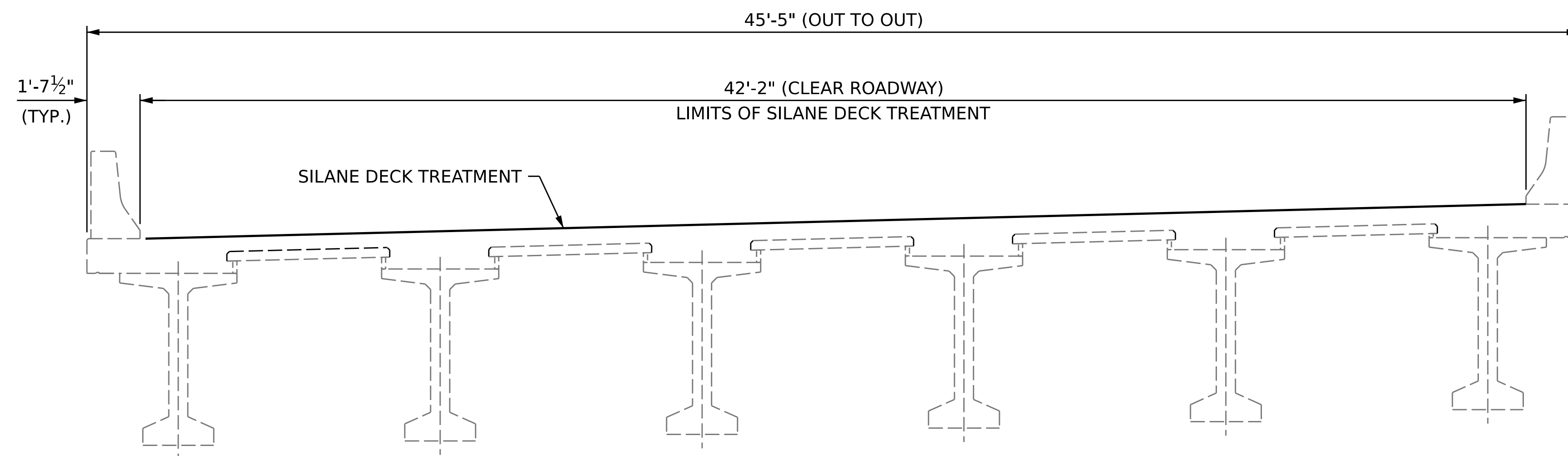


TYPICAL SECTION
(EXISTING)



TYPICAL SECTION
(SHOTBLASTING)

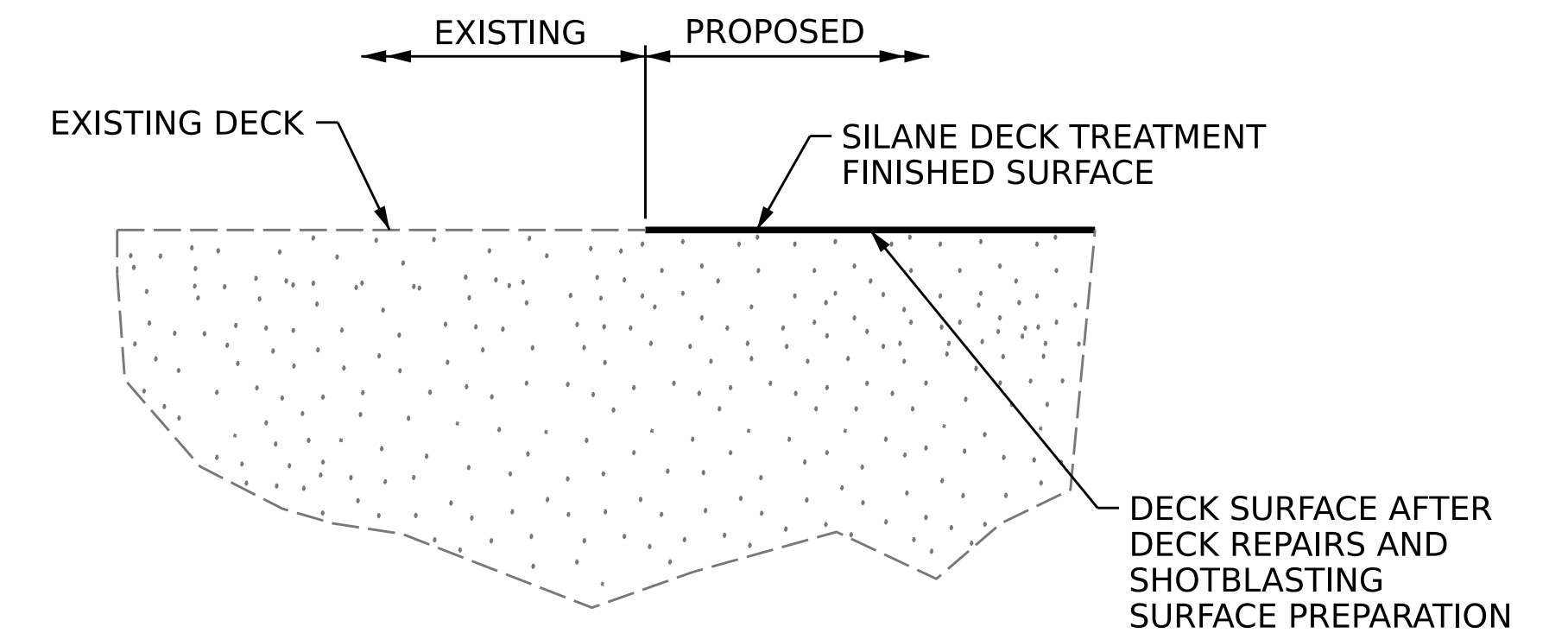


TYPICAL SECTION
(PROPOSED)

NOTES

SEE TRANSPORTATION MANAGEMENT PLANS FOR LANE WIDTHS, SEQUENCING AND OTHER TRAFFIC CONTROL MEASURES FOR STAGING OF SURFACE PREPARATION AND SILANE DECK TREATMENT.

GIRDERS ARE 63" PRESTRESSED CONCRETE MODIFIED BULB TEE.



DETAIL FOR SILANE DECK TREATMENT

PROJECT NO. **I-6036**
BRUNSWICK COUNTY
 BRIDGE NO. **090242**



Designed by:
P. Corey Newton
 477E39014319407...
 07/26/2023

STATE OF NORTH CAROLINA
 DEPARTMENT OF TRANSPORTATION
 RALEIGH

SUPERSTRUCTURE
TYPICAL SECTION FOR SILANE DECK TREATMENT

DOCUMENT NOT CONSIDERED FINAL UNLESS ALL SIGNATURES COMPLETED

REVISIONS						SHEET NO. S11-2
NO.	BY:	DATE:	NO.	BY:	DATE:	
1			3			TOTAL SHEETS
2			4			4

DRAWN BY : S. T. SANDOR DATE : 1/20/23
 CHECKED BY : W. C. SMITH DATE : 5/23/23
 DESIGN ENGINEER OF RECORD: DATE :