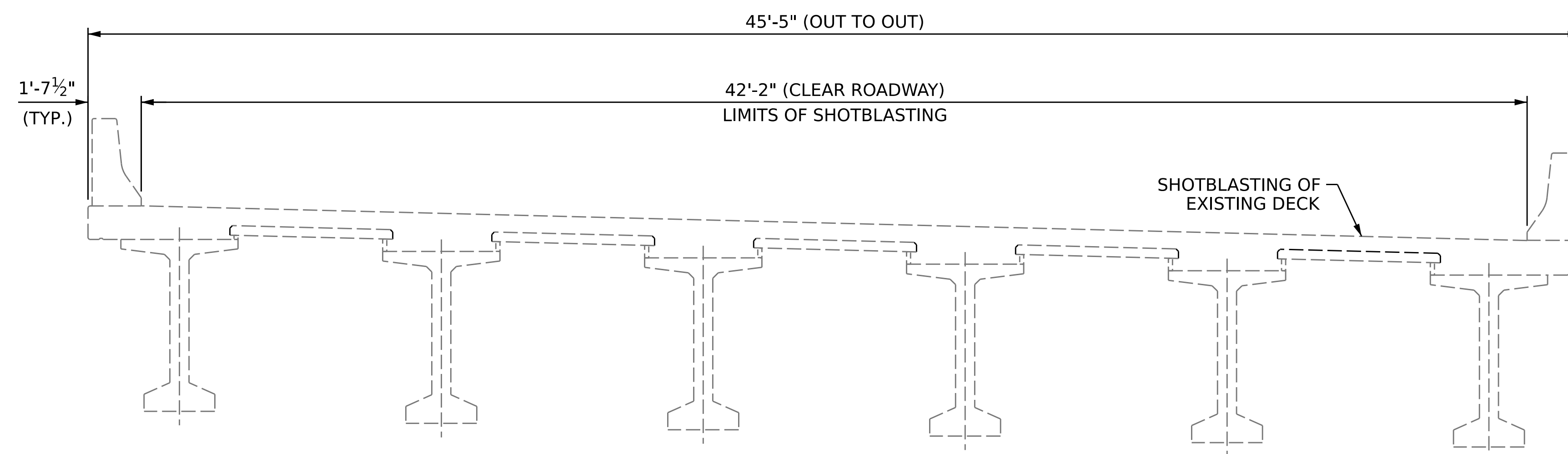
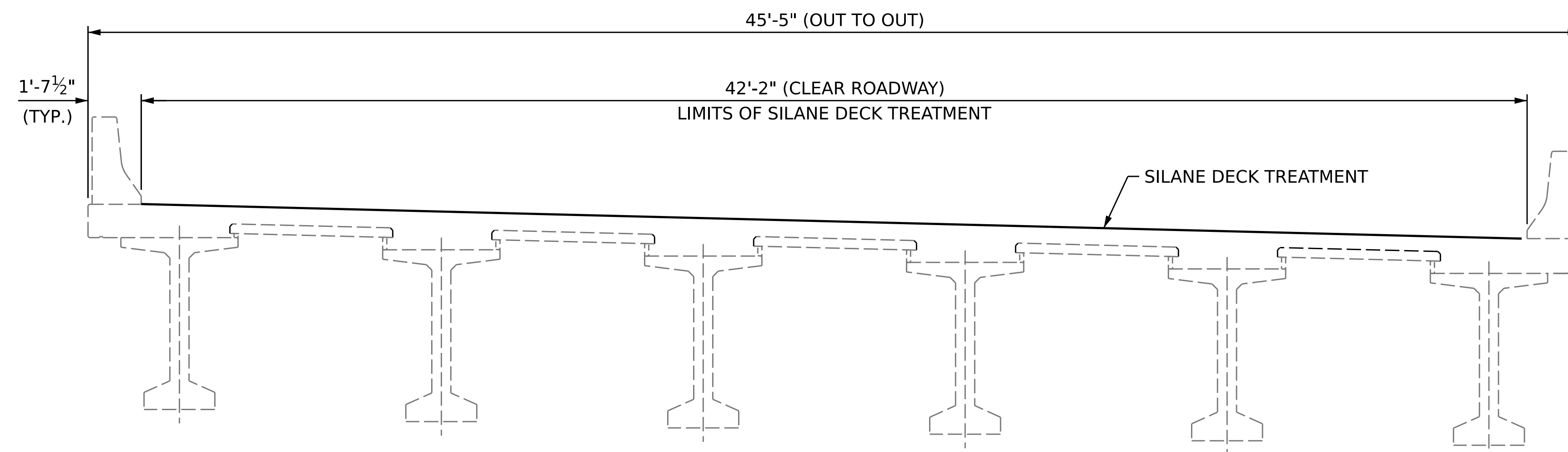


**TYPICAL SECTION**  
(EXISTING)



**TYPICAL SECTION**  
(SHOTBLASTING)

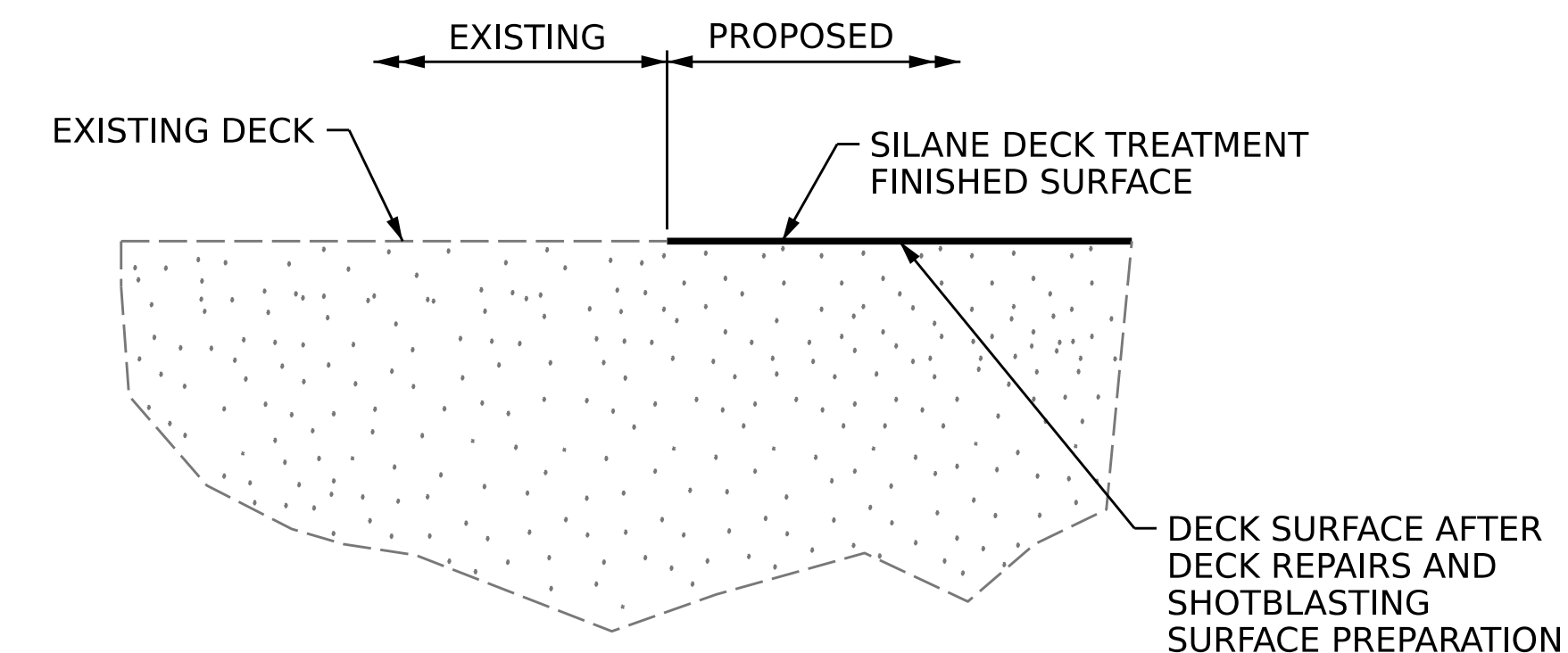


**TYPICAL SECTION**  
(PROPOSED)

**NOTES**

SEE TRANSPORTATION MANAGEMENT PLANS FOR LANE WIDTHS, SEQUENCING AND OTHER TRAFFIC CONTROL MEASURES FOR STAGING OF SURFACE PREPARATION AND SILANE DECK TREATMENT.

GIRDERS ARE 63" PRESTRESSED CONCRETE MODIFIED BULB TEE.



**DETAIL FOR SILANE DECK TREATMENT**

PROJECT NO. **I-6036**  
**BRUNSWICK** COUNTY  
 BRIDGE NO. **090241**



Designed by:  
*P. Corey Newton*  
 07/26/2023

STATE OF NORTH CAROLINA  
 DEPARTMENT OF TRANSPORTATION  
 RALEIGH

SUPERSTRUCTURE  
**TYPICAL SECTION FOR SILANE DECK TREATMENT**

DOCUMENT NOT CONSIDERED FINAL UNLESS ALL SIGNATURES COMPLETED

REVISIONS						SHEET NO. S10-2
NO.	BY:	DATE:	NO.	BY:	DATE:	
1			3			TOTAL SHEETS
2			4			4

DRAWN BY : S. T. SANDOR DATE : 1/20/23  
 CHECKED BY : W. C. SMITH DATE : 5/23/23  
 DESIGN ENGINEER OF RECORD: DATE :