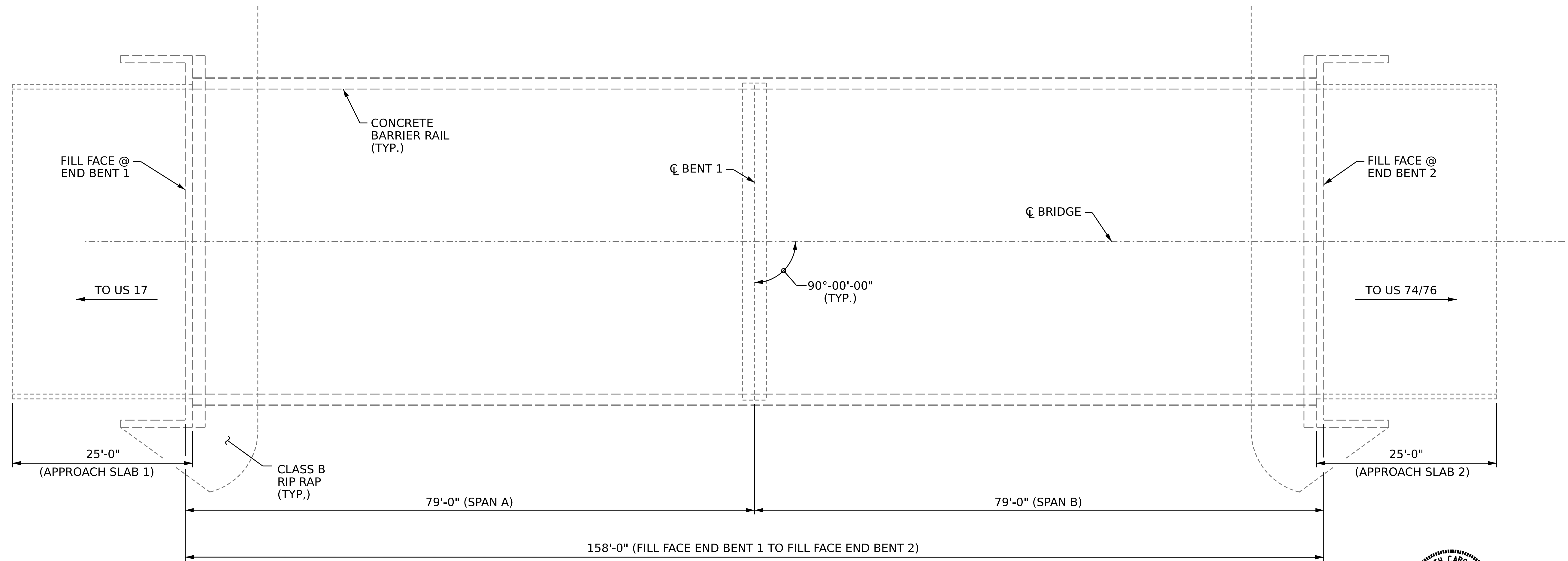


SECTION ALONG CL BRIDGE



PLAN

NOTES

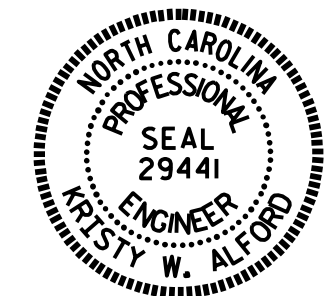
GENERAL DRAWING INFORMATION IS TAKEN FROM THE ORIGINAL PLANS AND THE ROUTINE INSPECTION REPORT DATED 06/10/2021.
BRIDGE ORIENTATION CONFORMS TO THE ORIGINAL BRIDGE PLANS.

SCOPE OF WORK

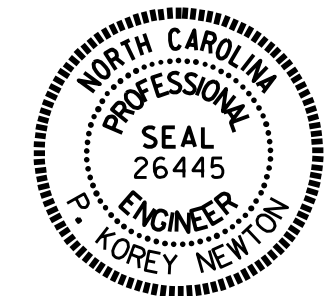
- BRIDGE DECK PREPARATION WITH SHOTBLASTING METHODS.
- CONCRETE DECK REPAIR FOR SILANE DECK TREATMENT.
- APPLY SILANE DECK TREATMENT.
- REMOVE EXISTING ELASTOMERIC CONCRETE, ARMOR, AND JOINT MATERIAL.
- RECONSTRUCT BRIDGE JOINTS WITH ELASTOMERIC CONCRETE AND INSTALL FOAM JOINT SEALS

I HEREBY CERTIFY THAT THIS STRUCTURE WAS REHABILITATED ACCORDING TO THESE PLANS OR AS NOTED HEREIN.

RESIDENT ENGINEER _____ DATE _____



DocuSigned by:
P2458383808F40E
08/01/2023



DocuSigned by:
P. Corey Newton
1F3E8D141B407...
07/26/2023

PROJECT NO. **I-6036**
BRUNSWICK COUNTY
BRIDGE NO. **090240**

STATE OF NORTH CAROLINA
DEPARTMENT OF TRANSPORTATION
RALEIGH

GENERAL DRAWING

FOR BRIDGE ON
I-140 EBL OVER
WILDLIFE CROSSING

DRAWN BY : S. T. SANDOR DATE : 1/20/23
CHECKED BY : W. C. SMITH DATE : 5/23/23
DESIGN ENGINEER OF RECORD: DATE :

DOCUMENT NOT CONSIDERED
FINAL UNLESS ALL
SIGNATURES COMPLETED

REVISIONS						SHEET NO.
NO.	BY:	DATE:	NO.	BY:	DATE:	S9-1
1			3			TOTAL SHEETS
2			4			4