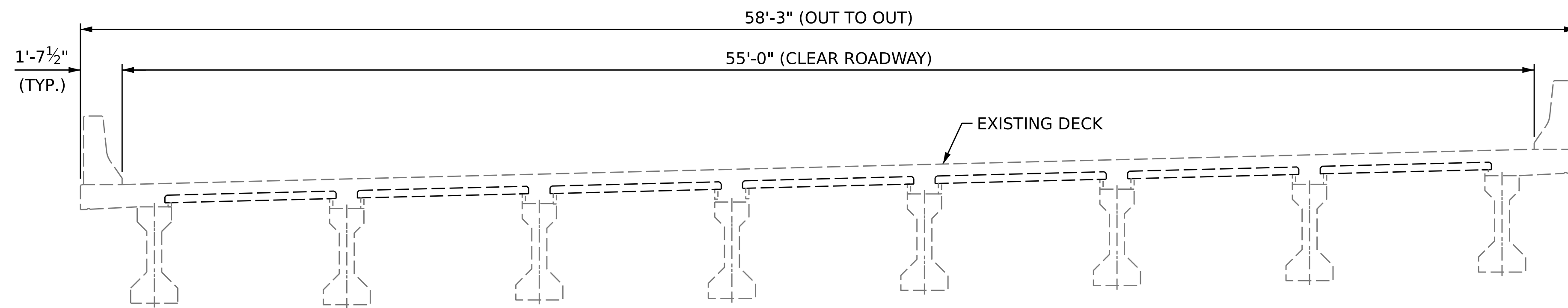


NOTES

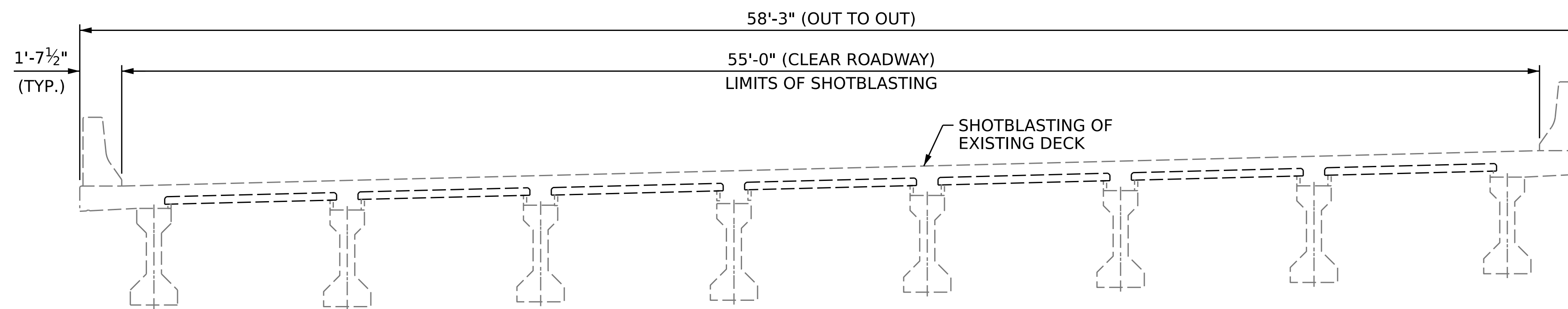
SEE TRANSPORTATION MANAGEMENT PLANS FOR LANE WIDTHS, SEQUENCING AND OTHER TRAFFIC CONTROL MEASURES FOR STAGING OF SURFACE PREPARATION AND SILANE DECK TREATMENT.

GIRDERS ARE AASHTO TYPE III PRESTRESSED CONCRETE GIRDERS.



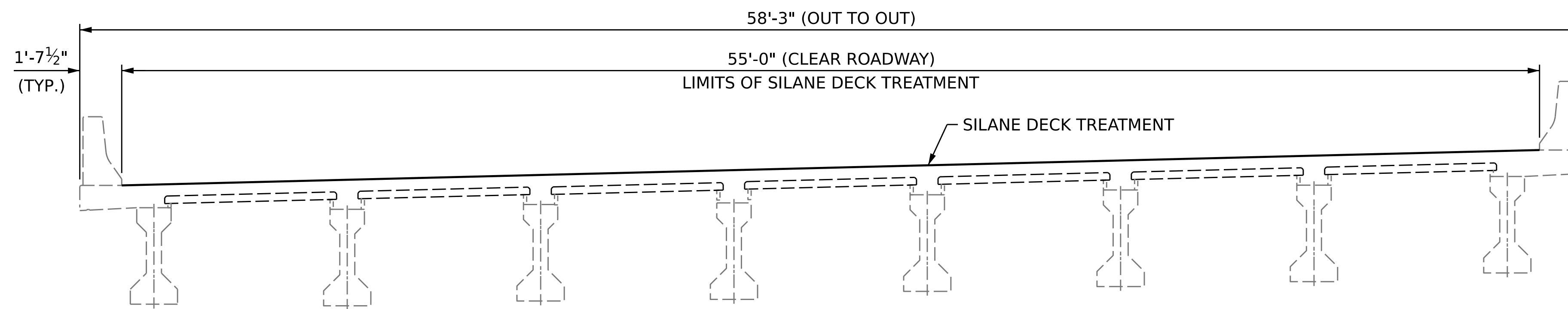
TYPICAL SECTION

(EXISTING)



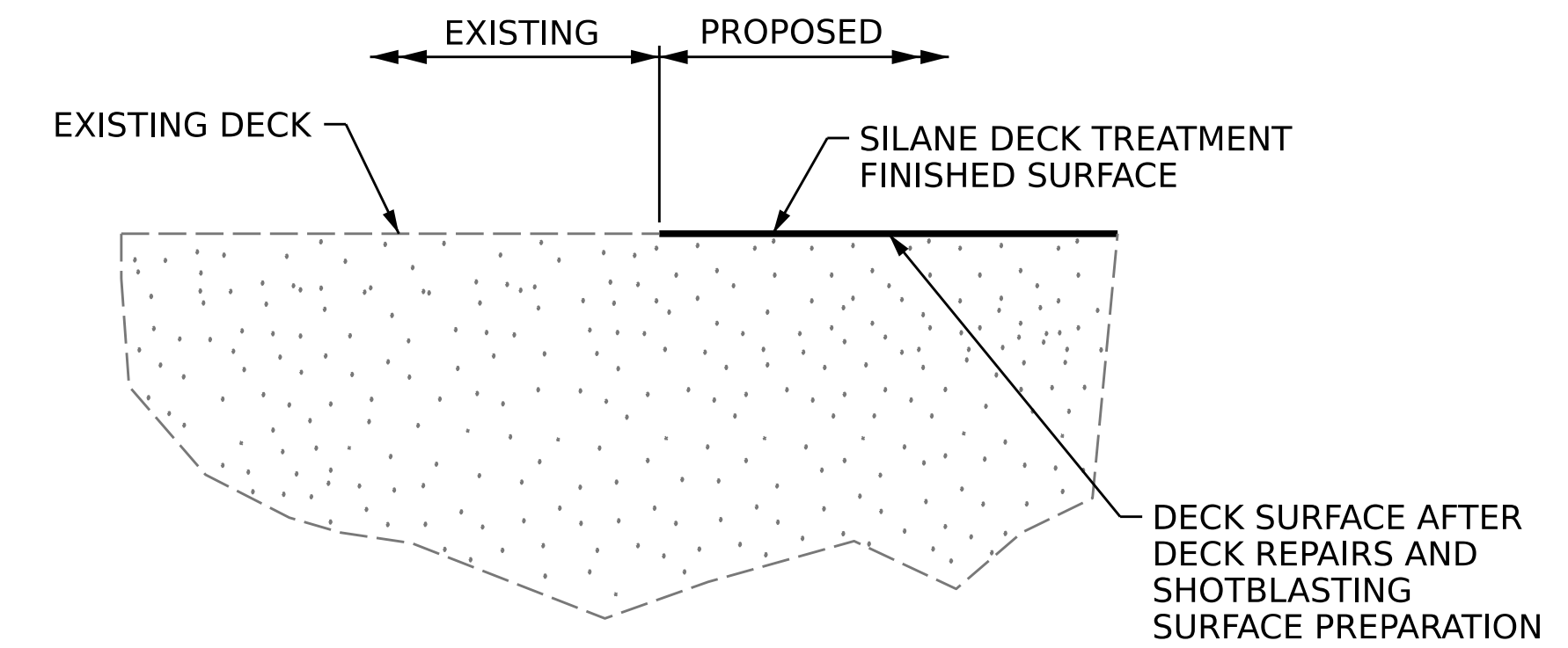
TYPICAL SECTION

(SHOTBLASTING)



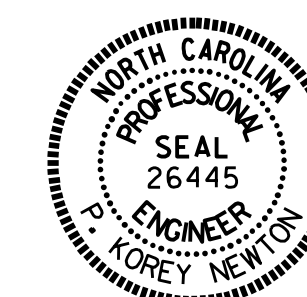
TYPICAL SECTION

(PROPOSED)



DETAIL FOR SILANE DECK TREATMENT

PROJECT NO. **I-6036**
BRUNSWICK COUNTY
 BRIDGE NO. **090233**



Designed by:
P. Corey Newton
 07/26/2023

STATE OF NORTH CAROLINA
 DEPARTMENT OF TRANSPORTATION
 RALEIGH
 SUPERSTRUCTURE
**TYPICAL SECTION
 FOR SILANE
 DECK TREATMENT**

DRAWN BY : S. T. SANDOR DATE : 1/6/23
 CHECKED BY : W. C. SMITH DATE : 1/17/23
 DESIGN ENGINEER OF RECORD: DATE :

DOCUMENT NOT CONSIDERED
 FINAL UNLESS ALL
 SIGNATURES COMPLETED

REVISIONS						SHEET NO. S2-2
NO.	BY:	DATE:	NO.	BY:	DATE:	
1			3			TOTAL SHEETS
2			4			4