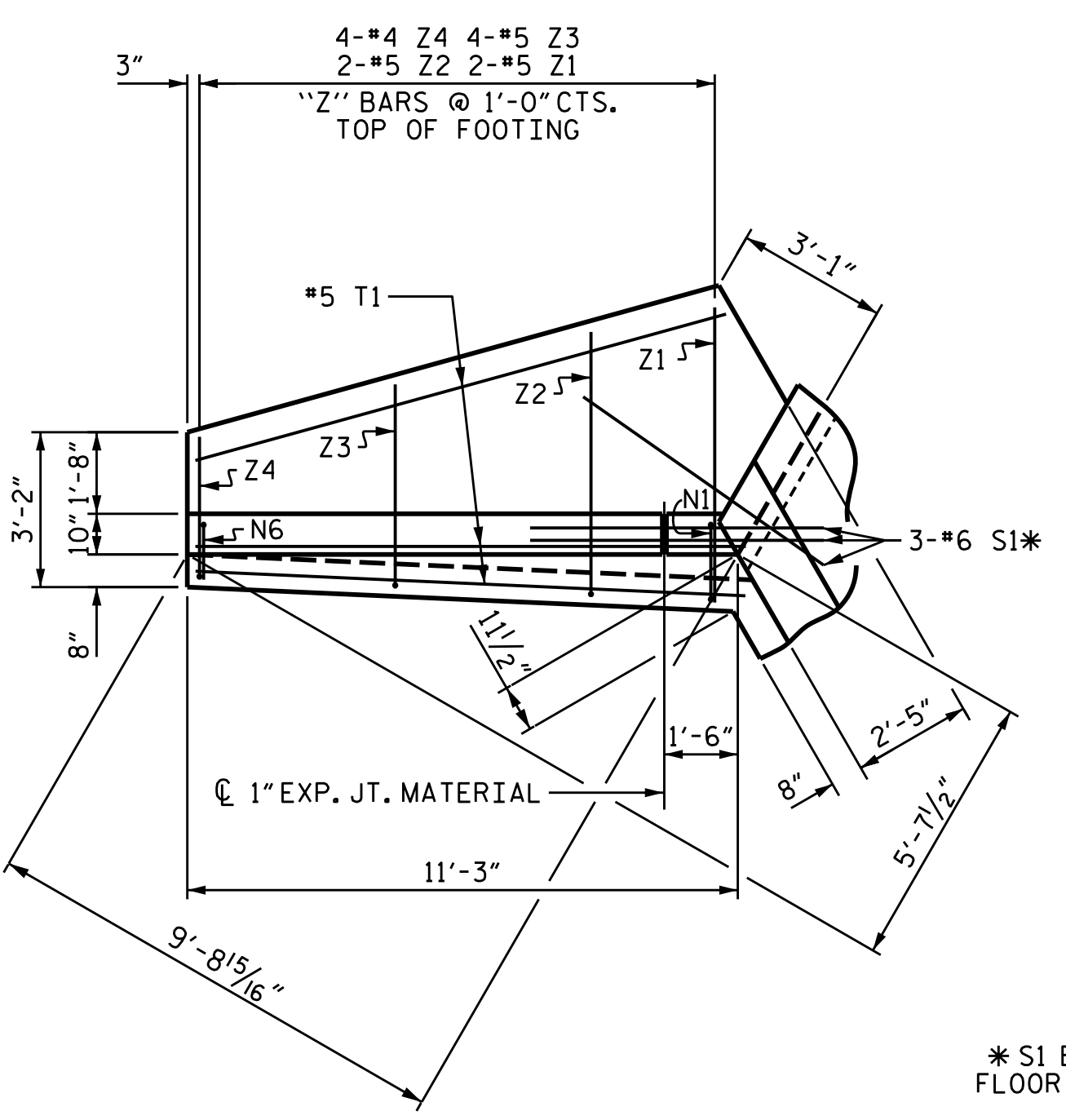
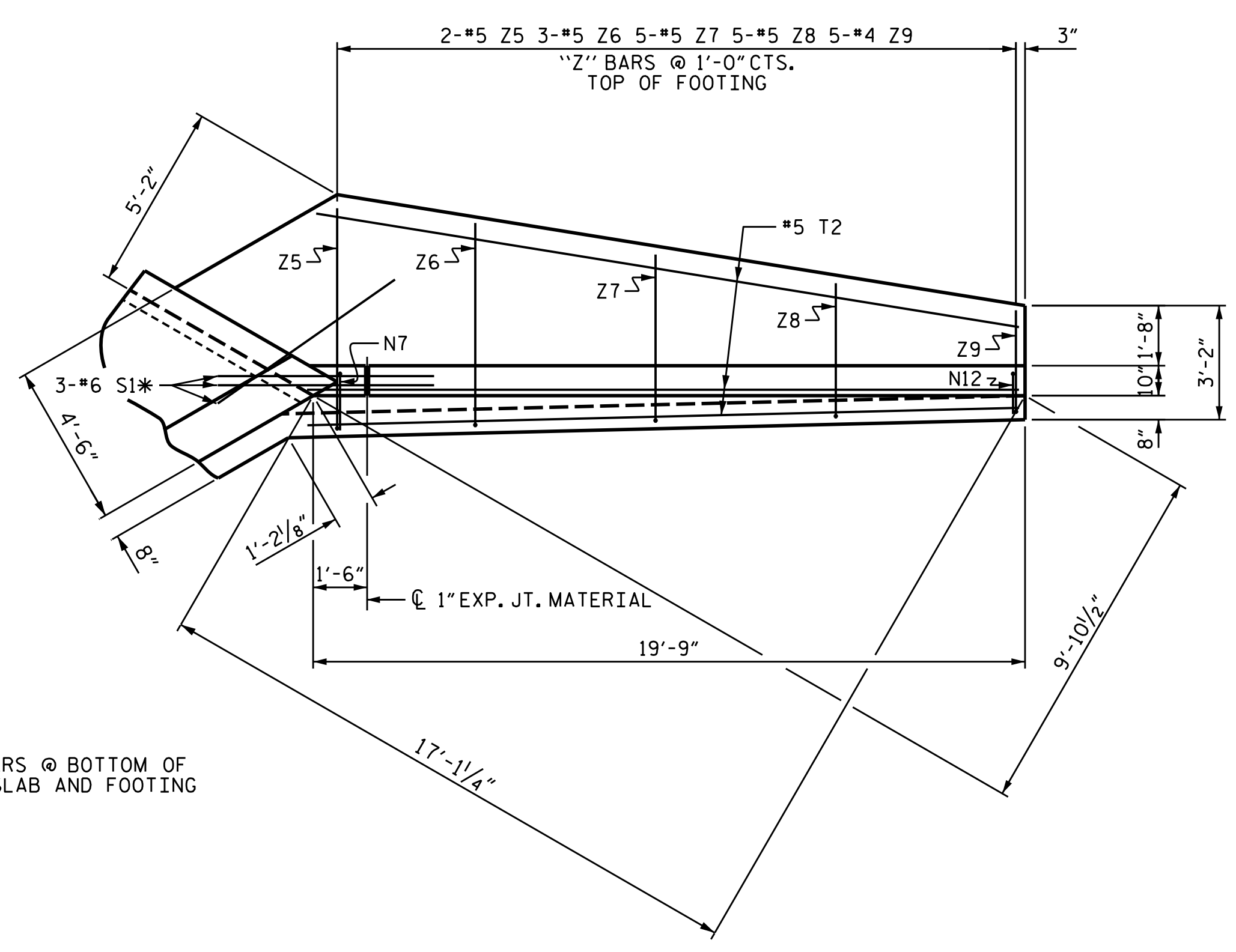


5/14/2023 4:42:09 PM jgeille

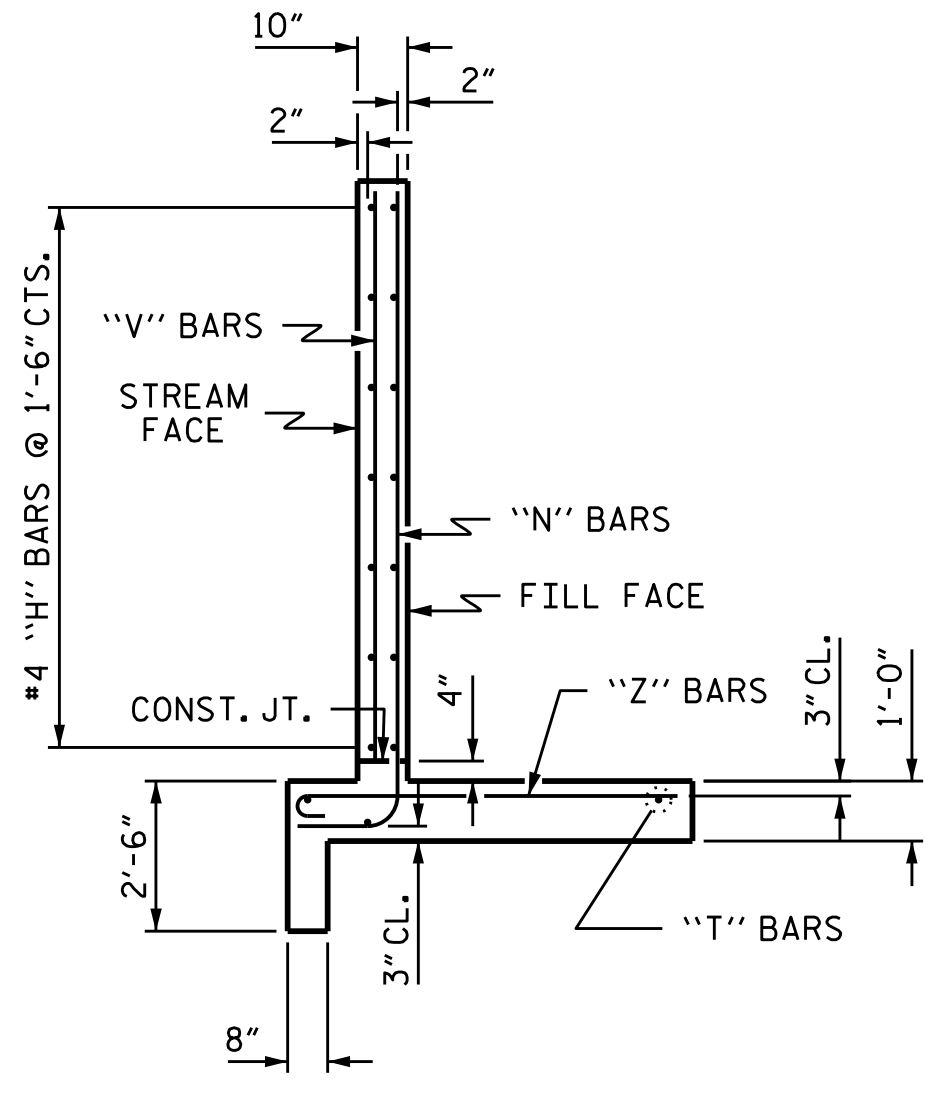


PLAN W2 & W3

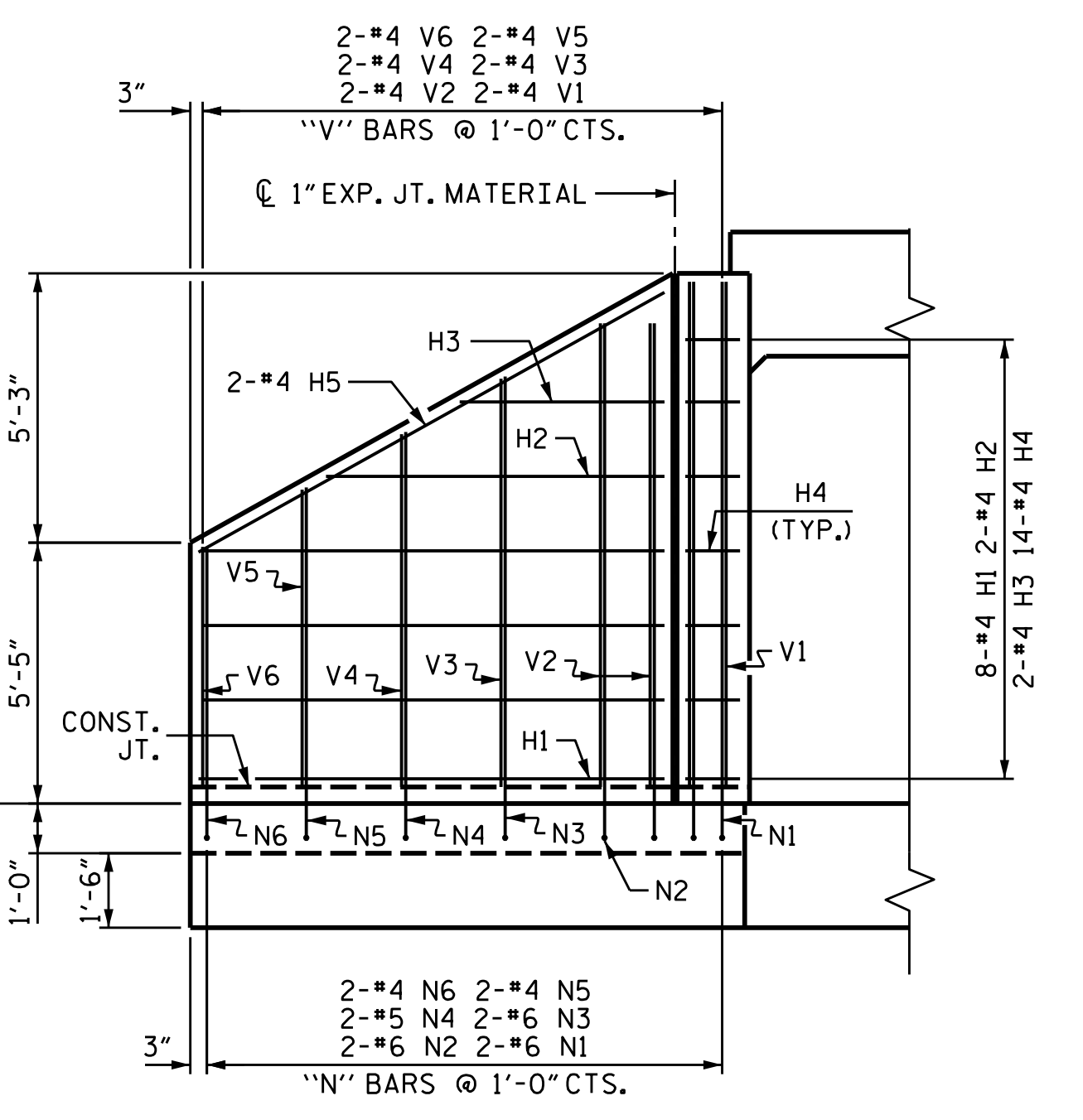


PLAN W1

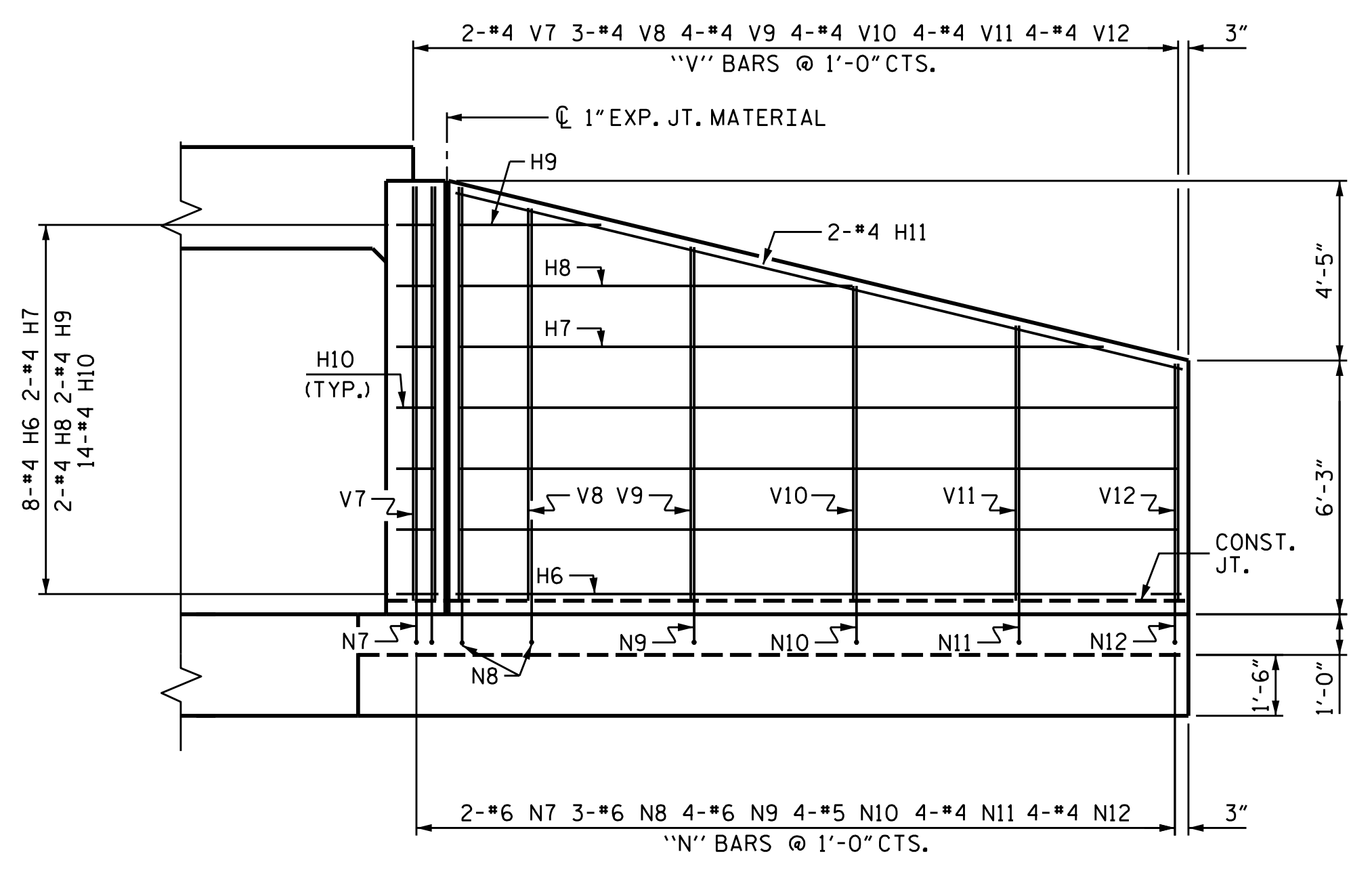
* S1 BARS @ BOTTOM OF FLOOR SLAB AND FOOTING



TYPICAL WING SECTION



ELEVATION W2 & W3

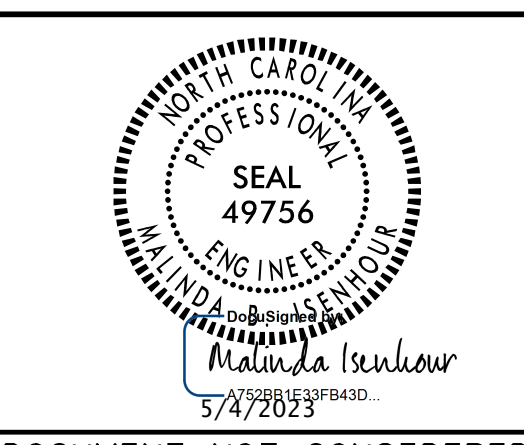


ELEVATION W1

PROJECT NO. R-3833C
IREDELL COUNTY
 STATION: 36+00.33 -L-

DRAWN BY : J. B. GETLE DATE : 08/01/19
 CHECKED BY : M. B. ISENHOUR DATE : 02/06/20
 DESIGN ENGINEER OF RECORD: M. B. ISENHOUR DATE : 05/04/23

Stantec Consulting Services Inc.
 801 Jones Franklin Road
 Suite 300
 Raleigh, NC 27806
 Tel. (919) 851-6866
 Fax. (919) 851-7024
 www.stantec.com
 License No. F-0672



DOCUMENT NOT CONSIDERED FINAL UNLESS ALL SIGNATURES COMPLETED

STATE OF NORTH CAROLINA
 DEPARTMENT OF TRANSPORTATION
 RALEIGH

WINGS FOR CONCRETE BOX CULVERT

H = 9'-0" SLOPE = 2:1
 60°00'00" SKEW

REVISIONS						SHEET NO.
NO.	BY:	DATE:	NO.	BY:	DATE:	C-15
1			3			TOTAL SHEETS
2			4			16