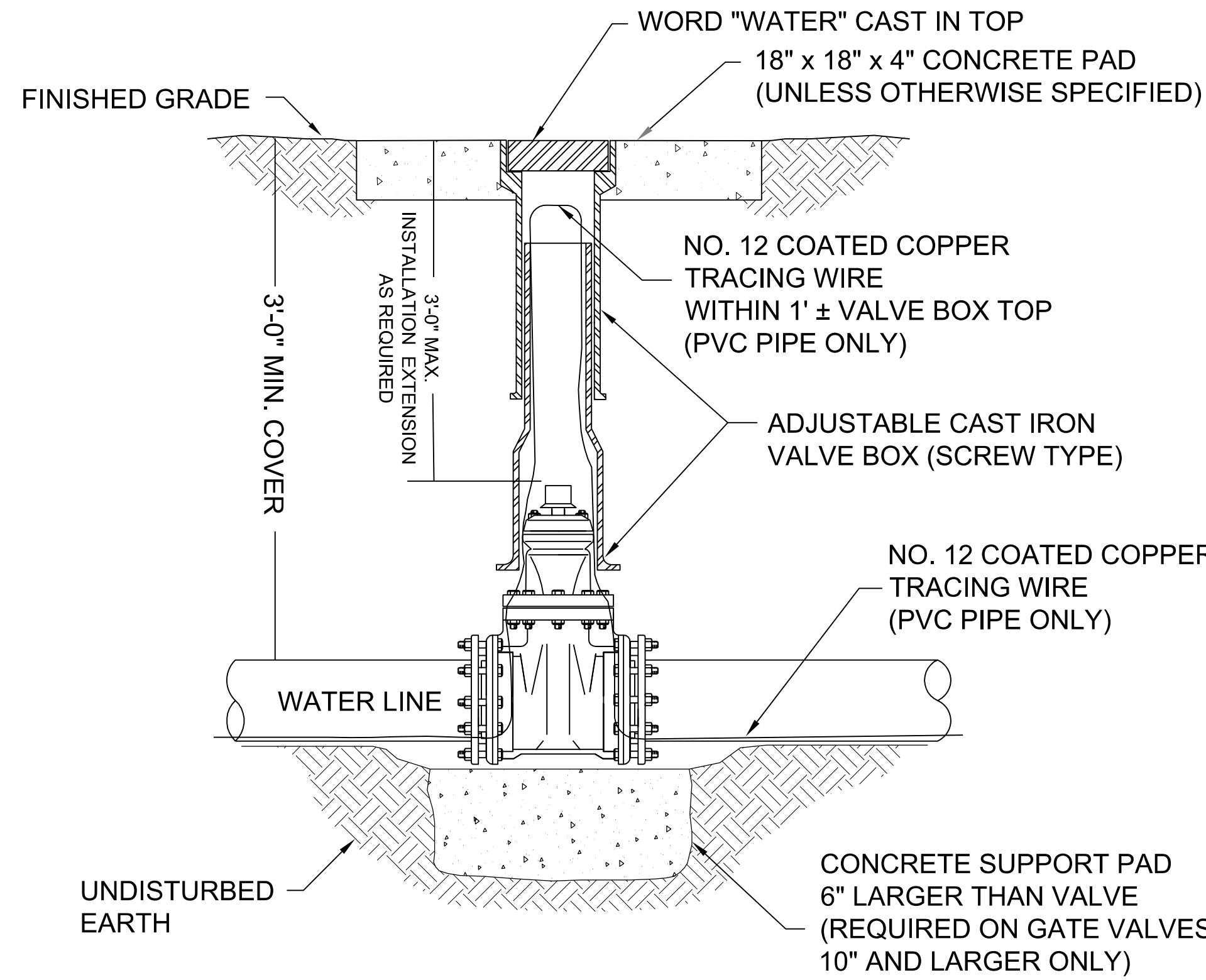
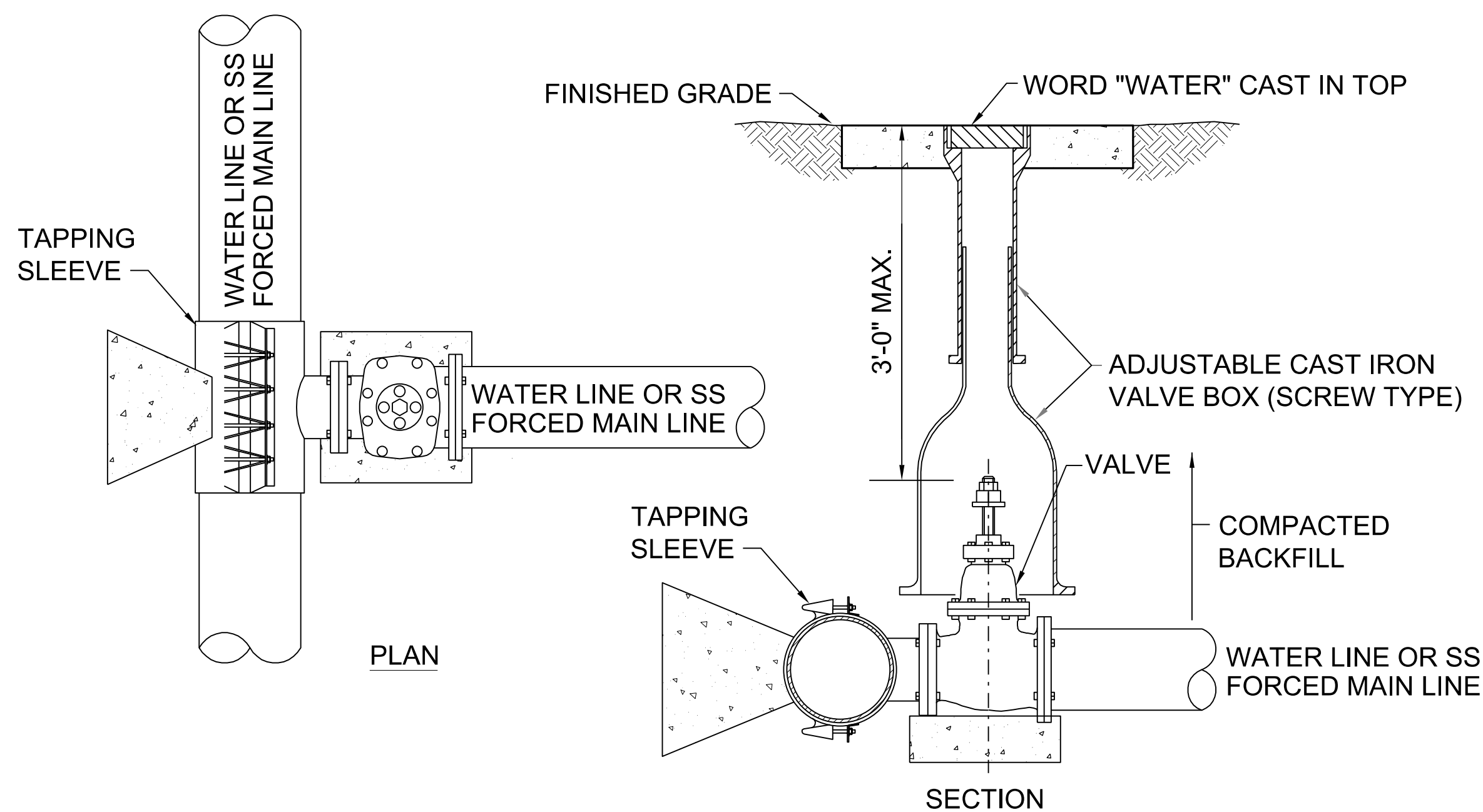


PROJECT TYPICAL DETAILS

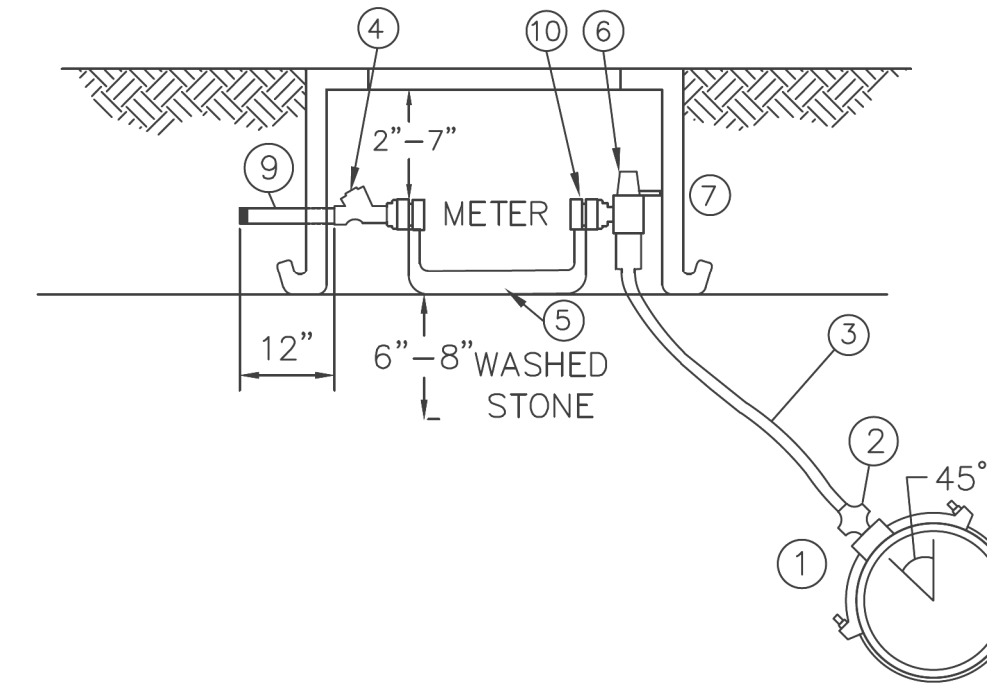


GATE VALVE INSTALLATION DETAIL



- NOTES:**
1. TAPPING SLEEVE WILL BE JCM, SMITH BLAIR, OR ROMTEC
 2. TAPPING VALVE WILL BE CLOW VALVE, M & H VALVE, US PIPE AND FOUNDRY, MULLER, OR KENNEDY VALVE COMPANY
 3. USE SOLID CONCRETE OR BRICK BLOCKING FOR DUCTILE IRON PIPE. 3000 PSI CONCRETE REQUIRED FOR PVC PIPE.
 4. CONCRETE WILL NOT CONTACT BOLTS OR ENDS OF MECHANICAL JOINT FITTINGS.
 5. REFER TO APPROPRIATE STANDARD DETAILS FOR THRUST BLOCK DIMENSIONS.
 6. COVER FITTINGS WITH POLYETHYLENE PLASTIC PRIOR TO POURING THRUST BLOCK.

TAPPING SLEEVE AND VALVE DETAIL



NOTES:

1. METER TO BE FURNISHED AND INSTALLED BY TOWN OF MOORESVILLE. ALL COMPONENTS PROVIDED SHALL BE COMPATIBLE WITH A FORD METER.
2. LEGEND:
 - ① ROMAC INDUSTRIES STYLE 202S TAPPING SADDLE OR APPROVED EQUAL, NO DIRECT TAPS
 - ② ~~MUELLER B-2500B~~ **BRASS** MUELLER CORPORATION STOP BALL VALVE WITH COMPRESSION FITTING OR APPROVED EQUAL
 - ③ 1" COPPER TUBING, TYPE K.
 - ④ RESIDENTIAL USE: STRAIGHT DUAL CHECK VALVE, (MUELLER) H-11247N OR EQUIVALENT. COMMERCIAL USE WITH SEPARATE BACKFLOW DEVICE: CHECK VALVE
 - ⑤ FORD METER YOKE Y502, MUELLER, OR MCDONALD METER YOKE
 - ⑥ 90° ANGLE BALL VALVE OR ANGLE KEY VALVE
 - ⑦ BLACK POLYETHYLENE METER BOX MANUFACTURED BY SOUTHEASTERN DISTRIBUTION.
 - 3/4" SERVICE - MB16-176 & SOLID LID 176 WE-36
 - 1" SERVICE - MB17-178 & SOLID LID 174 WE-37
 - ⑧ 6"-8" WASHED STONE BELOW METER BOX
 - ⑨ 3/4"x12" or 1"x12" THREADED BRASS NIPPLE
 - ⑩ STAR NUT (MUELLER) PART NO. 589316 OR EQUIVALENT 3/4" STAR LOCK NUT AND WASHER

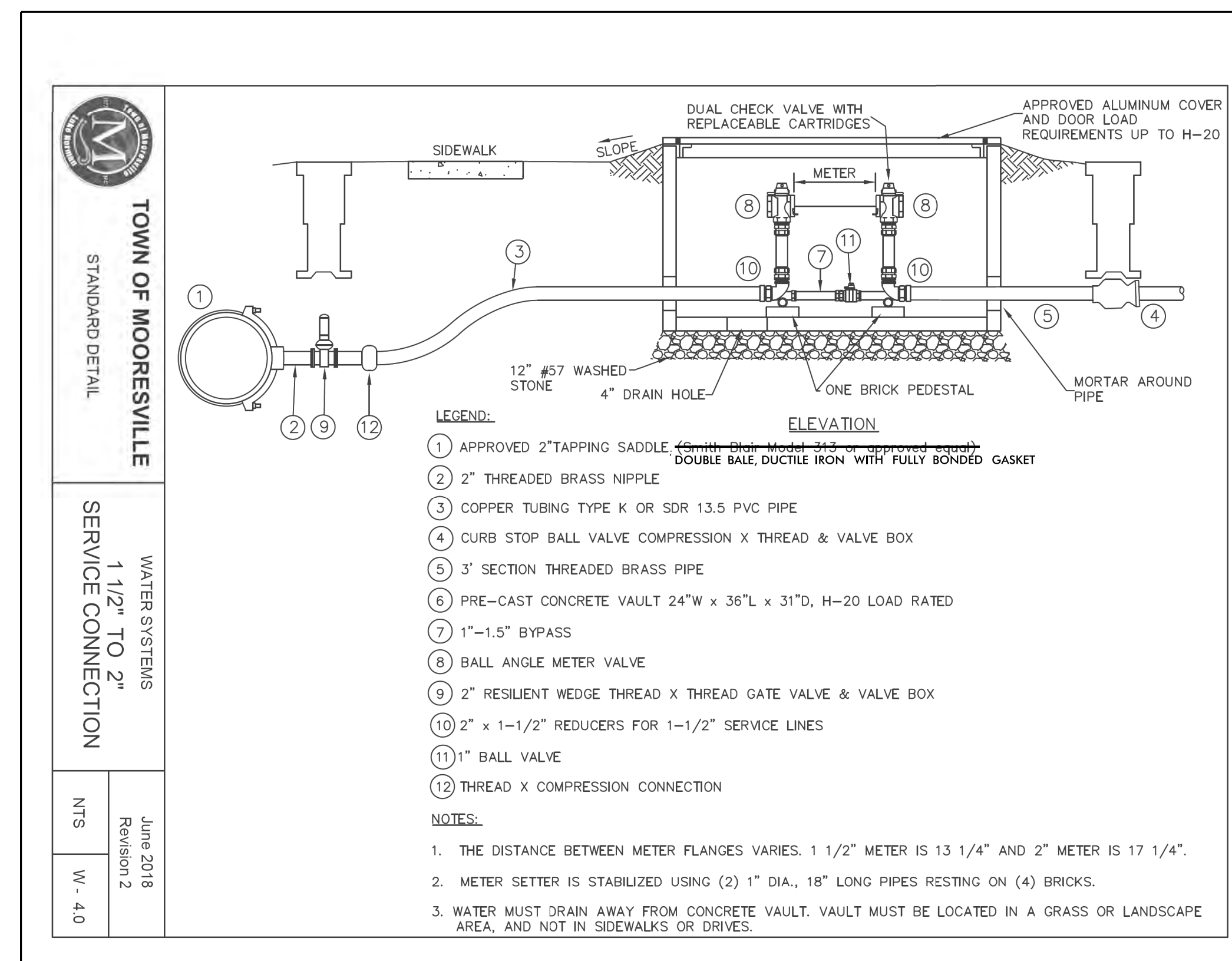
	TOWN OF MOORESVILLE	WATER SYSTEMS	June 2018
	STANDARD DETAIL	3/4" & 1" SERVICE CONNECTION	Revision 3
			NTS
			W-3.0



Stantec Consulting Services Inc.
801 Jones Franklin Road
Suite 300
Raleigh, NC 27606
Tel. (919) 851-6866
Fax. (919) 851-7024
www.stantec.com
License No. F-0672

PROJECT REFERENCE NO.	SHEET NO.
R-3833C	UC-03B
DESIGNED BY: MCM	
DRAWN BY: RGR/MCM	
CHECKED BY: MCM	
APPROVED BY:	
REVISED:	
NORTH CAROLINA DEPARTMENT OF TRANSPORTATION	8/24/2023
UTILITIES ENGINEERING SEC. PHONE: (919) 707-6690 FAX: (919) 250-4151	UTILITY CONSTRUCTION PLANS ONLY
DOCUMENT NOT CONSIDERED FINAL UNLESS ALL SIGNATURES COMPLETED	

UTILITY CONSTRUCTION



LEGEND:

- ① APPROVED 2" TAPPING SADDLE
- ② 2" THREADED BRASS NIPPLE
- ③ COPPER TUBING TYPE K OR SDR 13.5 PVC PIPE
- ④ CURB STOP BALL VALVE COMPRESSION X THREAD & VALVE BOX
- ⑤ 3' SECTION THREADED BRASS PIPE
- ⑥ PRE-CAST CONCRETE VAULT 24"W x 36"L x 31"D, H-20 LOAD RATED
- ⑦ 1"-1.5" BYPASS
- ⑧ BALL ANGLE METER VALVE
- ⑨ 2" RESILIENT WEDGE THREAD X THREAD GATE VALVE & VALVE BOX
- ⑩ 2" x 1-1/2" REDUCERS FOR 1-1/2" SERVICE LINES
- ⑪ BALL VALVE
- ⑫ THREAD X COMPRESSION CONNECTION

NOTES:

1. THE DISTANCE BETWEEN METER FLANGES VARIES. 1 1/2" METER IS 13 1/4" AND 2" METER IS 17 1/4".
2. METER SETTER IS STABILIZED USING (2) 1" DIA., 18" LONG PIPES RESTING ON (4) BRICKS.
3. WATER MUST DRAIN AWAY FROM CONCRETE VAULT. VAULT MUST BE LOCATED IN A GRASS OR LANDSCAPE AREA, AND NOT IN SIDEWALKS OR DRIVES.

	TOWN OF MOORESVILLE	WATER SYSTEMS	June 2018
	STANDARD DETAIL	1 1/2" TO 2" SERVICE CONNECTION	Revision 2
			NTS
			W-4.0