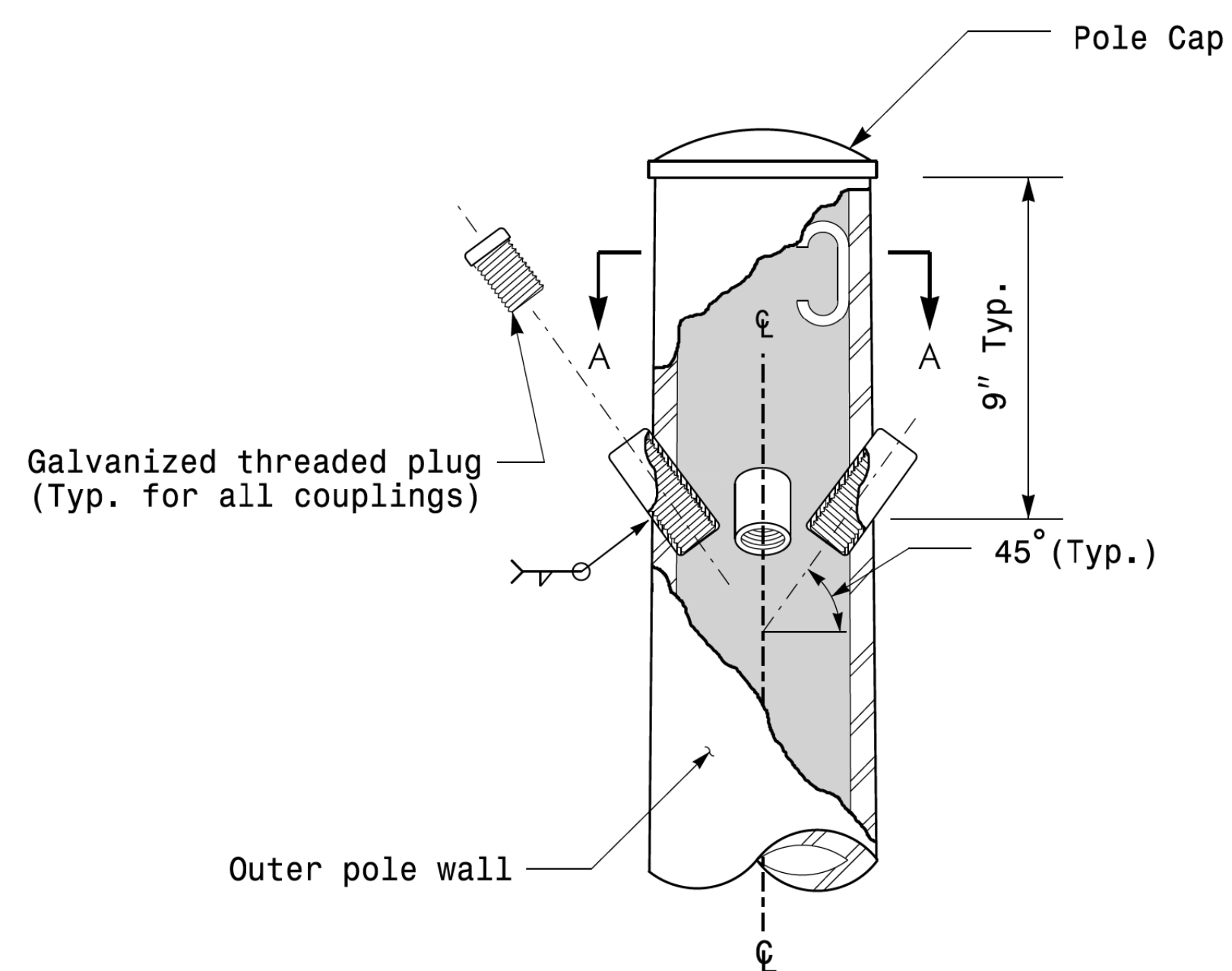
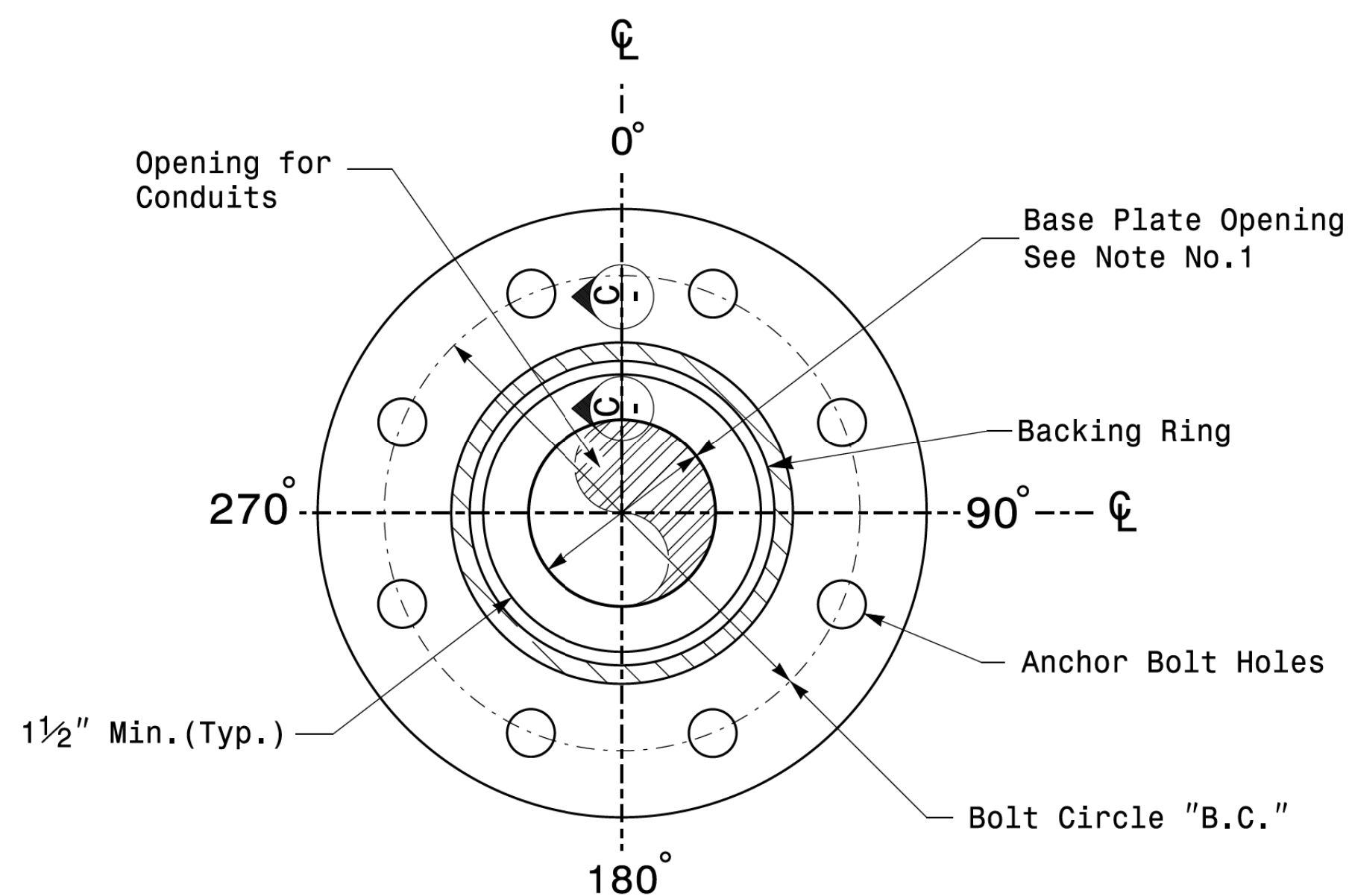


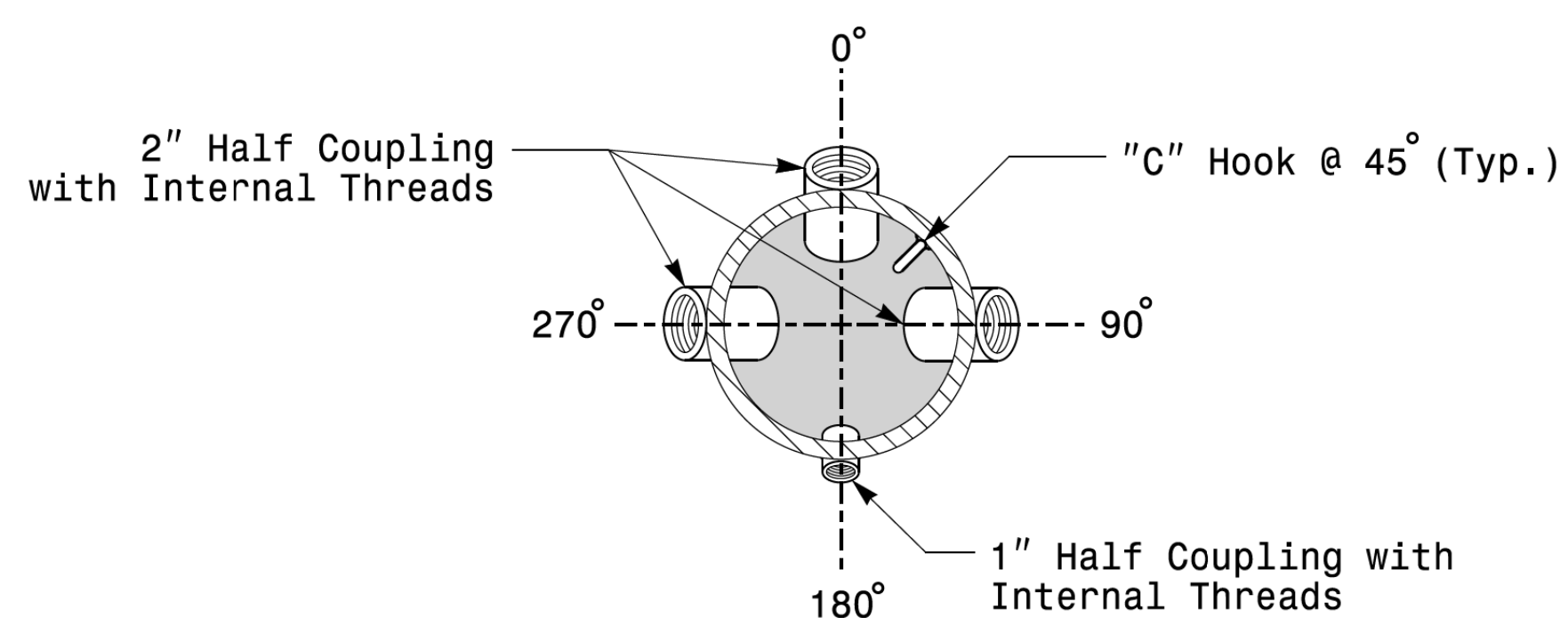
Note:  
 1. Opening in pole base plate shall be equal to pole base inside diameter minus 3 1/2" but shall not be less than 8 1/2".



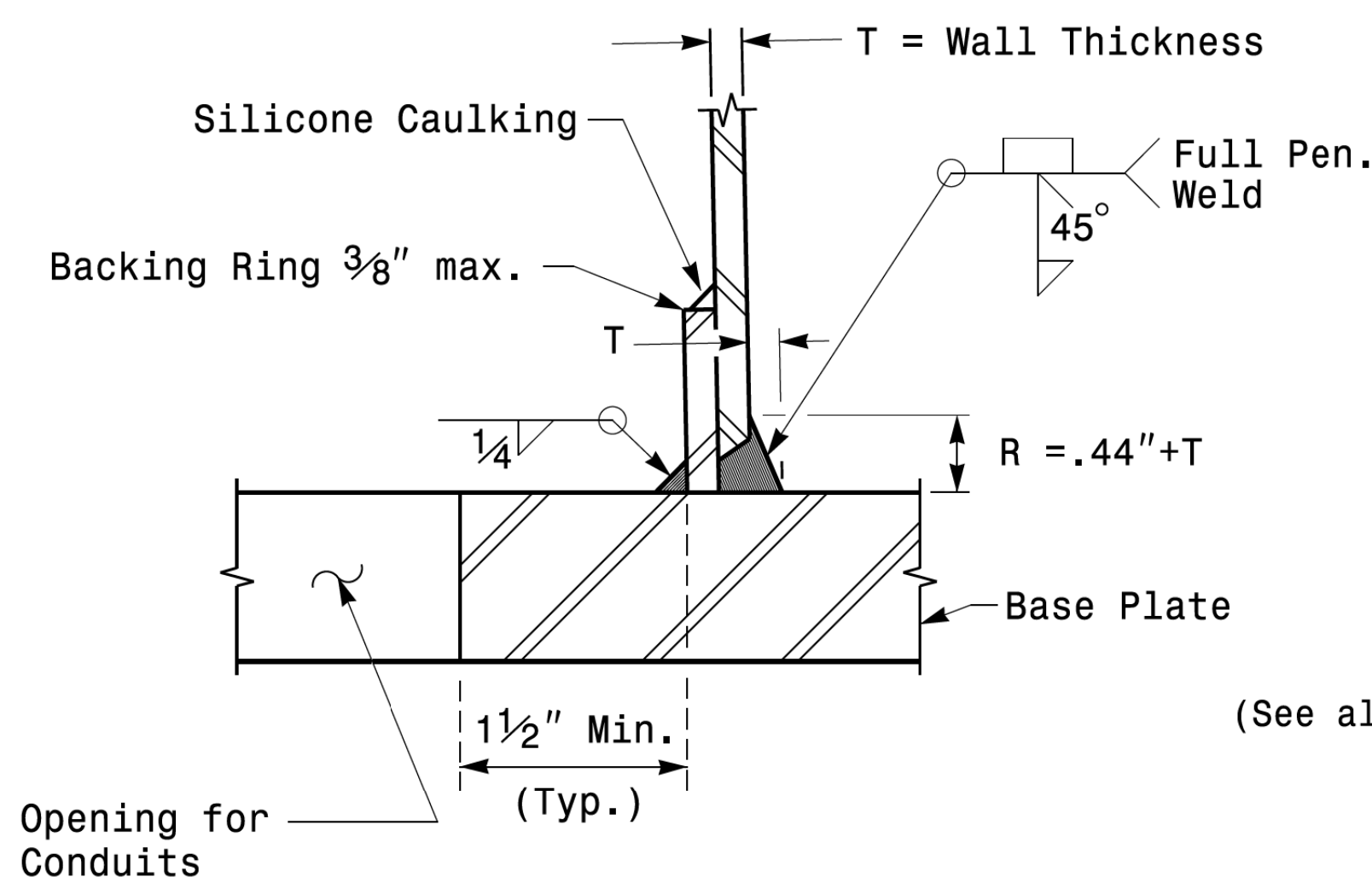
Cable Entrances at Top of Pole



Section B-B  
Pole Base Plate Details  
(8 and 12 Bolt Pattern)

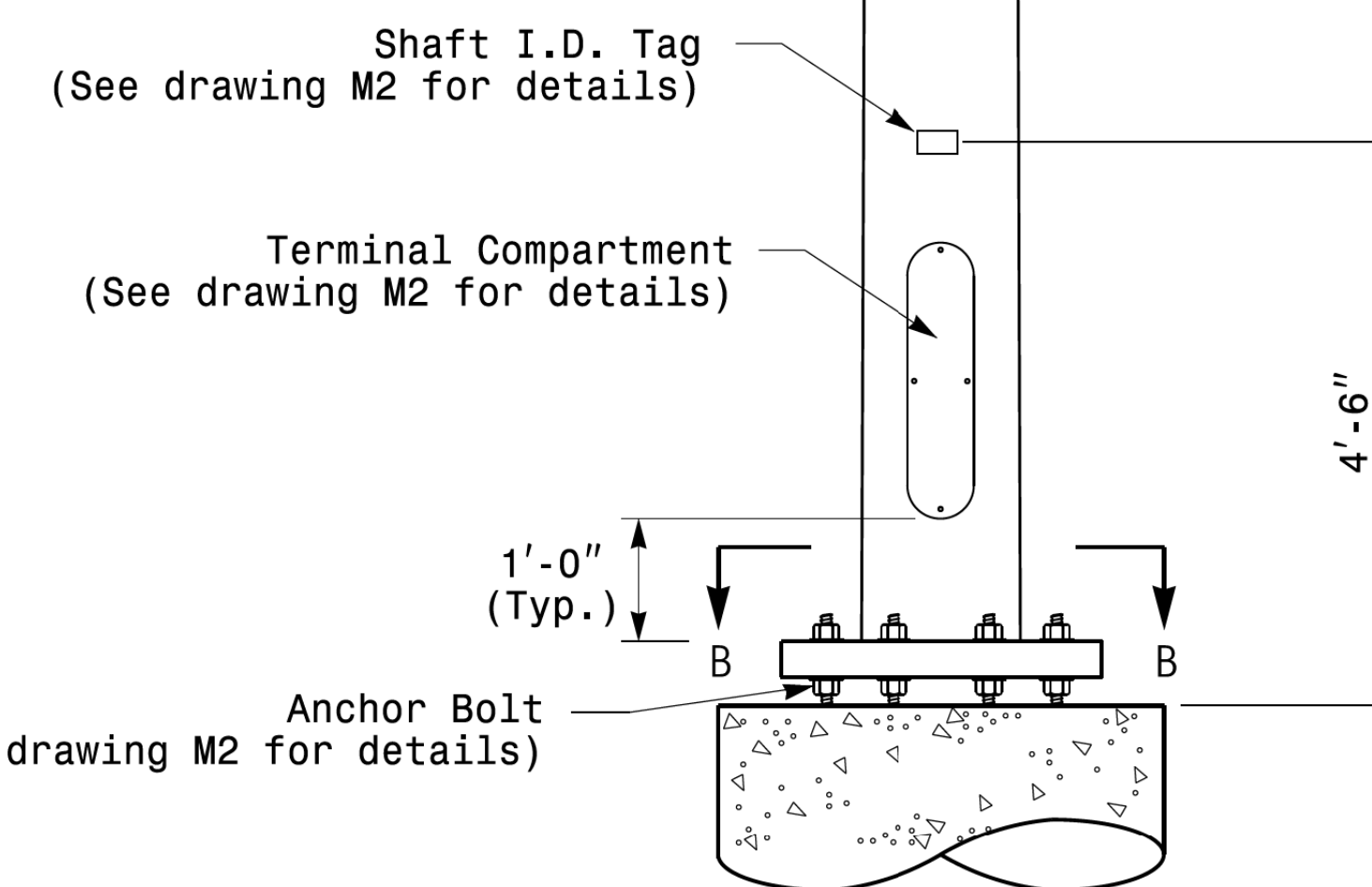


Section A-A  
Radial Orientation for Factory Installed  
Accessories at Top of Pole



Section C-C  
(Pole Attachment to Base Plate)  
Full-Penetration  
Groove Weld Detail

2 Cable Clamps designed for variable attachment heights from 1'-6" to 5'-0" below the top of the pole.



Monotube Strain Pole

Prepared in the Offices of:  
  
 750 N. Greenfield Pkwy, Garner, NC 27529

SCALE: NONE

Typical Fabrication Details For Strain Poles

PLAN DATE: OCTOBER 2017	DESIGNED BY: K.C. DURIGON
PREPARED BY: N. BITTING	REVIEWED BY: D.C. SARKAR
REVISIONS	INIT. DATE

SEAL

DocuSigned by:  
 Debesh C. Sarkar  
 10/11/2017

Fabrication Details – Strain Poles