
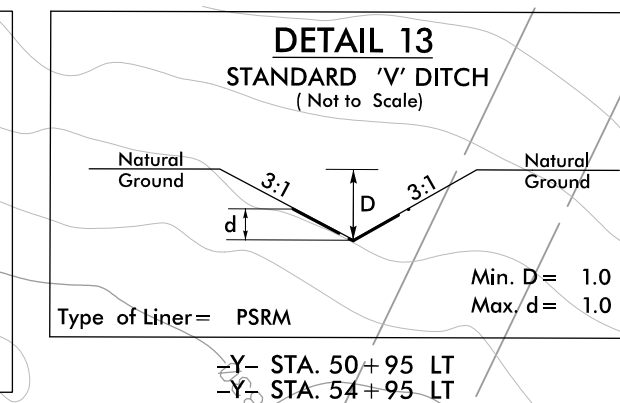
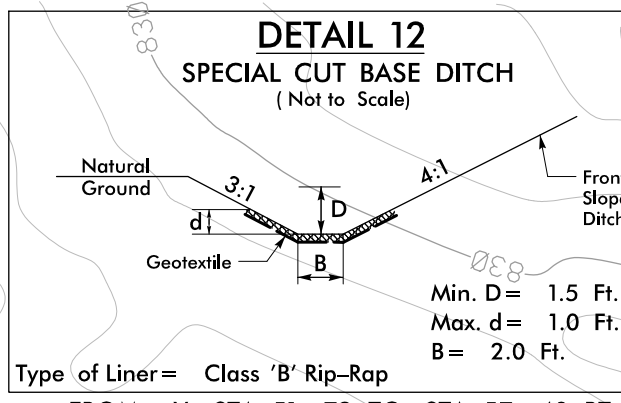
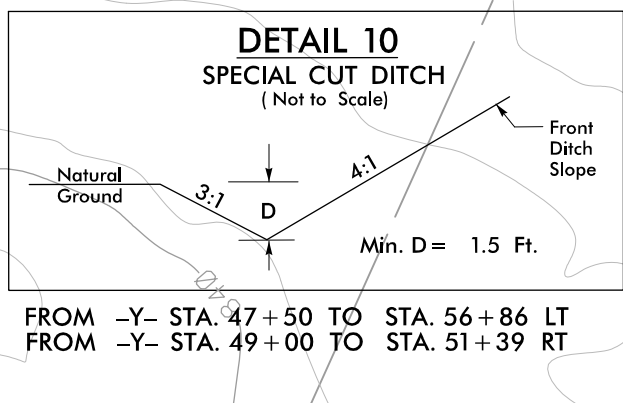
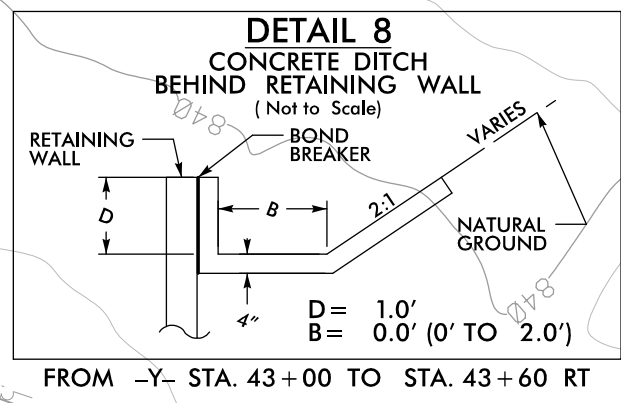
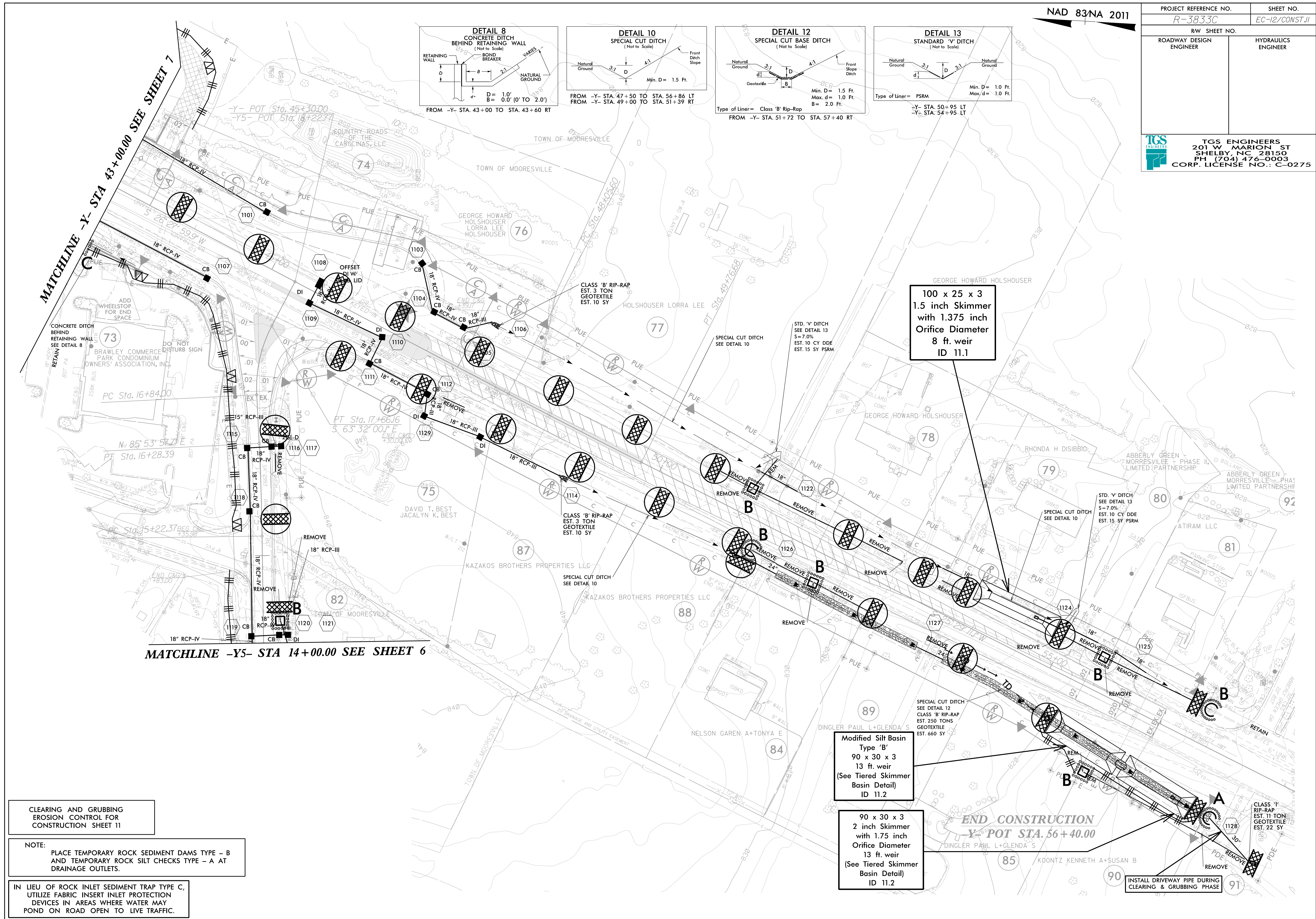


PROJECT REFERENCE NO. R-3833C	SHEET NO. EC-12/CONST.11
RW SHEET NO.	HYDRAULICS ENGINEER
ROADWAY DESIGN ENGINEER	
 <b>TGS ENGINEERS</b> 201 W MARION ST SHELBY, NC 28150 PH (704) 476-0003 CORP. LICENSE NO.: C-0275	



100 x 25 x 3  
1.5 inch Skimmer  
with 1.375 inch  
Orifice Diameter  
8 ft. weir  
ID 11.1

Modified Silt Basin  
Type 'B'  
90 x 30 x 3  
13 ft. weir  
(See Tiered Skimmer  
Basin Detail)  
ID 11.2

90 x 30 x 3  
2 inch Skimmer  
with 1.75 inch  
Orifice Diameter  
13 ft. weir  
(See Tiered Skimmer  
Basin Detail)  
ID 11.2

INSTALL DRIVEWAY PIPE DURING  
CLEARING & GRUBBING PHASE

CLEARING AND GRUBBING  
EROSION CONTROL FOR  
CONSTRUCTION SHEET 11

NOTE:  
PLACE TEMPORARY ROCK SEDIMENT DAMS TYPE - B  
AND TEMPORARY ROCK SILT CHECKS TYPE - A AT  
DRAINAGE OUTLETS.

IN LIEU OF ROCK INLET SEDIMENT TRAP TYPE C,  
UTILIZE FABRIC INSERT INLET PROTECTION  
DEVICES IN AREAS WHERE WATER MAY  
POND ON ROAD OPEN TO LIVE TRAFFIC.

MATCHLINE -Y- STA 43+00.00 SEE SHEET 7

MATCHLINE -Y5- STA 14+00.00 SEE SHEET 6

END CONSTRUCTION  
-Y- POT STA. 56+40.00