

5/14/2023

5/15/2023 U:\P\2023\Proj\NR3833C_rdy_psh07.dgn

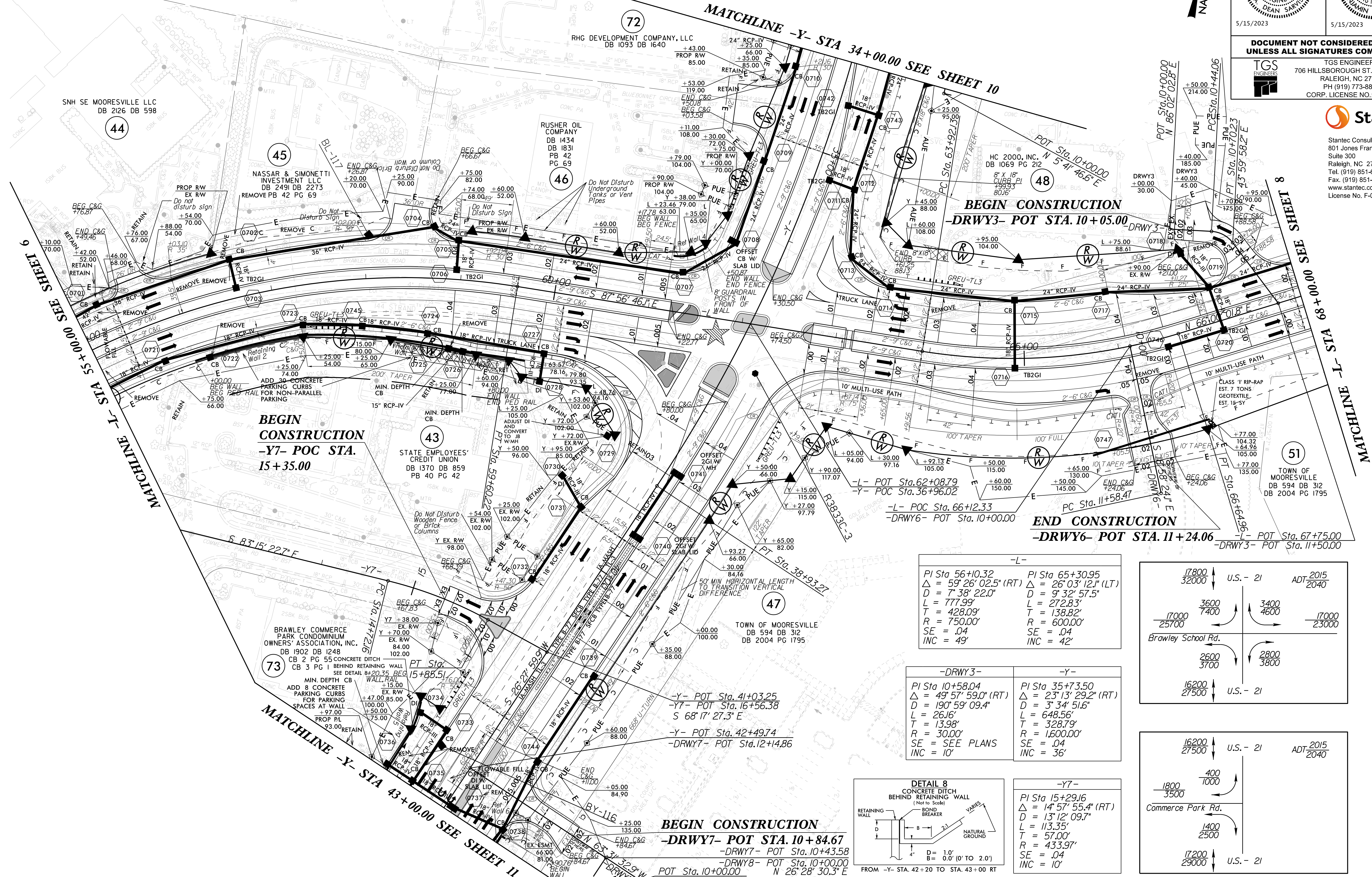
PROJECT REFERENCE NO. R-3833C	SHEET NO. 07
RW SHEET NO.	
ROADWAY DESIGN ENGINEER 	HYDRAULICS ENGINEER
5/15/2023	5/15/2023
DOCUMENT NOT CONSIDERED FINAL UNLESS ALL SIGNATURES COMPLETED	
TGS ENGINEERS 706 HILLSBOROUGH ST., SUITE 200 RALEIGH, NC 27603 PH (919) 773-8887 CORP. LICENSE NO.: C-0275	

Stantec Consulting Services Inc.
801 Jones Franklin Road
Suite 300
Raleigh, NC 27606
Tel. (919) 851-6866
Fax. (919) 851-7024
www.stantec.com
License No. F-0672

FOR -L- PROFILE SEE SHEET 13 AND 14
FOR -Y- PROFILE SEE SHEET 15 AND 16
FOR -DRWY3- PROFILE SEE SHEET 19
FOR -DRWY6- PROFILE SEE SHEET 19
FOR -DRWY7- PROFILE SEE SHEET 19



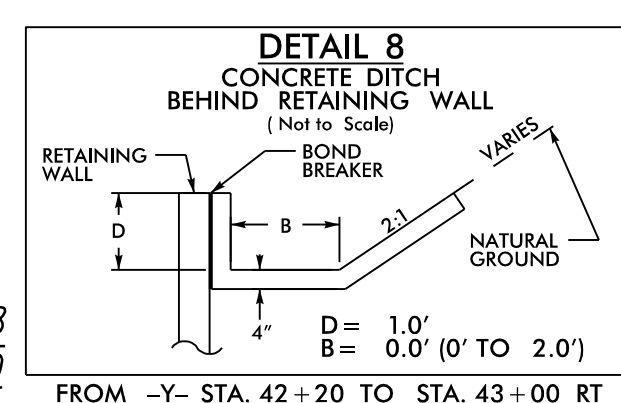
NAD 83/NA 2011



-L-

PI Sta 56+10.32 Δ = 59° 26' 02.5" (RT) D = 7° 38' 22.0" L = 777.99' T = 428.09' R = 750.00' SE = .04 INC = 49'	PI Sta 65+30.95 Δ = 26° 03' 12.1" (LT) D = 9° 32' 57.5" L = 272.83' T = 138.82' R = 600.00' SE = .04 INC = 42'
---	---

-DRWY3-	-Y-
PI Sta 10+58.04 Δ = 49° 57' 59.0" (RT) D = 190° 59' 09.4" L = 26.16' T = 13.98' R = 30.00' SE = SEE PLANS INC = 10'	PI Sta 35+73.50 Δ = 23° 13' 29.2" (RT) D = 3° 34' 51.6" L = 648.56' T = 328.79' R = 1,600.00' SE = .04 INC = 36'



-Y7-

PI Sta 15+29.16 Δ = 14° 57' 55.4" (RT) D = 13° 12' 09.7" L = 113.35' T = 57.00' R = 433.97' SE = .04 INC = 10'

