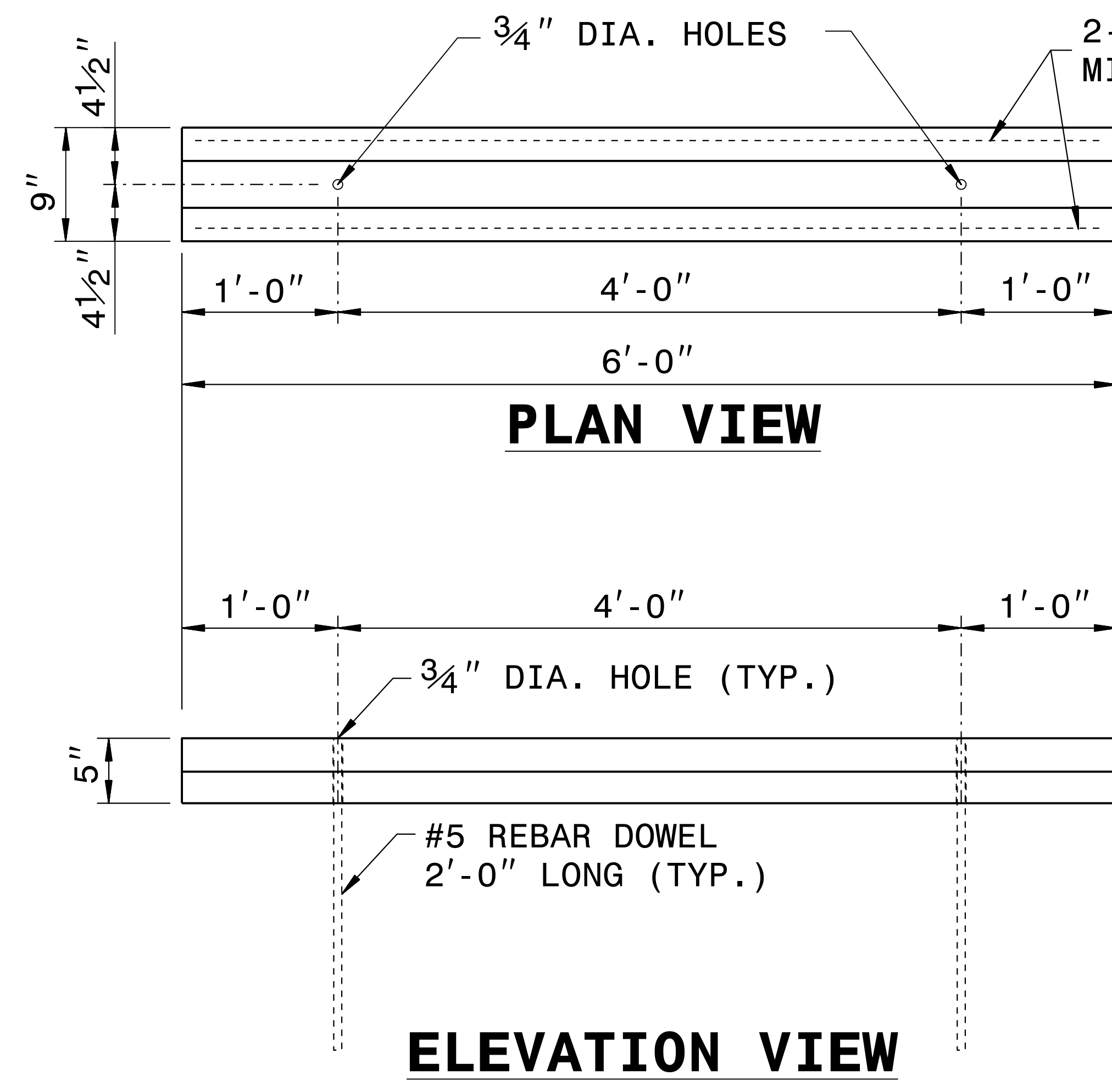


STATE OF
NORTH CAROLINA
DEPT. OF TRANSPORTATION
DIVISION OF HIGHWAYS
RALEIGH, N.C.

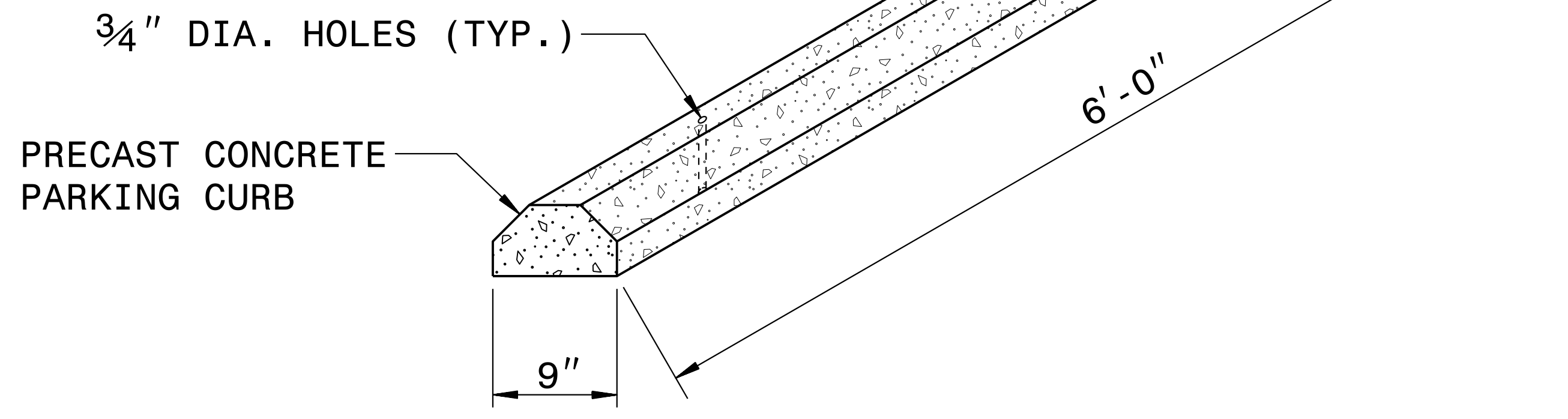
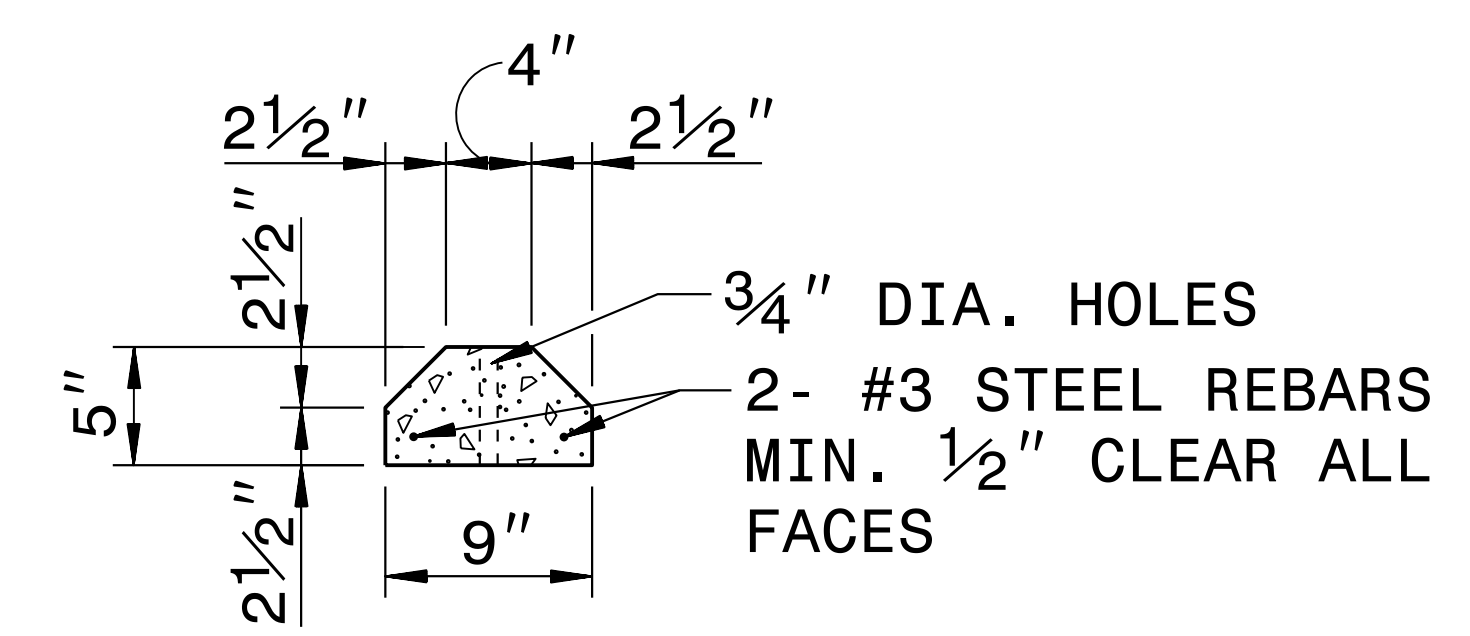
ENGLISH DETAIL DRAWING FOR
PRECAST CONCRETE PARKING CURB

SHEET 1 OF 1
PRCSTCRB



GENERAL NOTES:
- CONCRETE COMPRESSIVE STRENGTH
4000psi MIN.
- ASTM A615M - GRADE 400 REINFORCING
STEEL.

3/4" DIA. HOLES
2- #3 STEEL REBARS
MIN. 1/2" CLEAR ALL FACES



3/4" DIA. HOLES (TYP.)

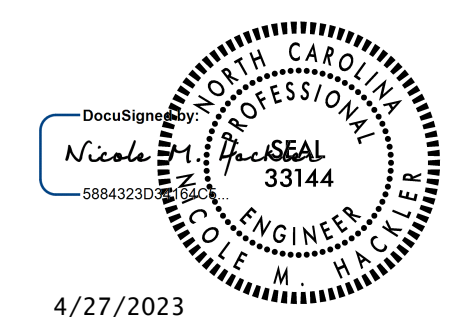
PRECAST CONCRETE
PARKING CURB

STATE OF
NORTH CAROLINA
DEPT. OF TRANSPORTATION
DIVISION OF HIGHWAYS
RALEIGH, N.C.

ENGLISH DETAIL DRAWING FOR
PRECAST CONCRETE PARKING CURB

SHEET 1 OF 1
PRCSTCRB

30-NOV-2018 13:30 S:\Contracts\Projects\Special\Stand\PreCast Parking Curb.dgn J:\overton AT_CSD-232595



4/27/2023

DOCUMENT NOT CONSIDERED FINAL
UNLESS ALL SIGNATURES COMPLETED

CONTRACT STANDARDS
AND DEVELOPMENT UNIT
Office 919-707-6950 FAX 919-250-4119

SEE PLATE FOR TITLE

ORIGINAL BY: E.E. WARD DATE: 5-97
MODIFIED BY: DATE:
CHECKED BY: DATE:
FILE SPEC.: s:\eric\usr\details\metric\stand\prstcrb_eng.dgn