

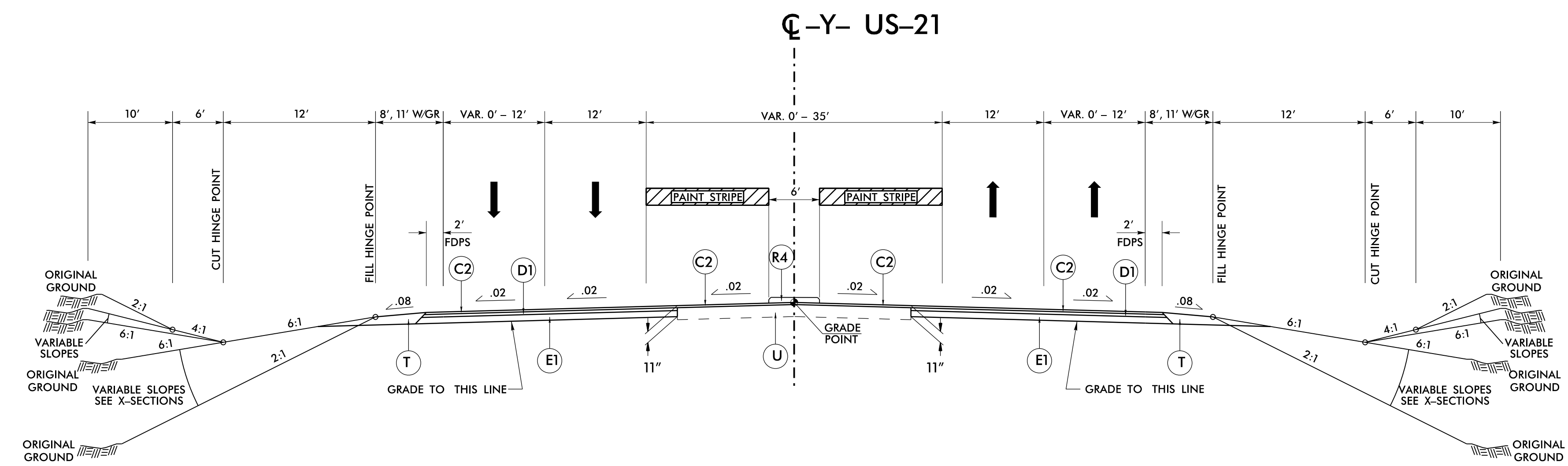
5/14/23

PROJECT REFERENCE NO. <i>R-3833C</i>	SHEET NO. <i>2A-3</i>
ROADWAY DESIGN ENGINEER <i>A. Dean Salvis</i> 19828	PAVEMENT DESIGN ENGINEER <i>James R. Hain</i> 39779
5/18/2023	5/18/2023

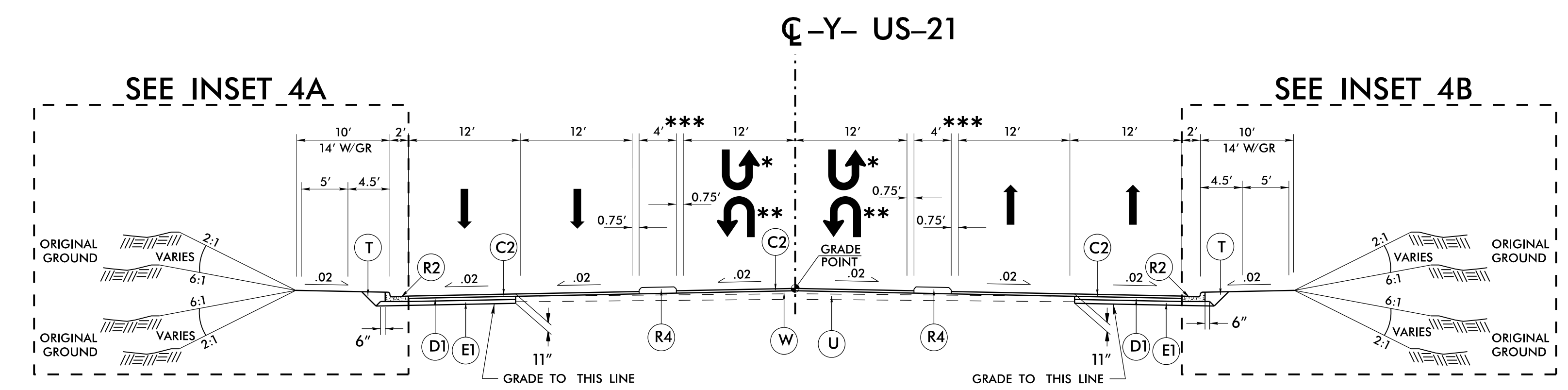
DOCUMENT NOT CONSIDERED FINAL  
UNLESS ALL SIGNATURES COMPLETED

**FALCON ENGINEERING**  
FALCON ENGINEERING, INC.  
1210 TRINITY ROAD, SUITE 110  
CARY, NC 27513  
PHONE: 919.871.0800  
www.falconengineers.com  
Corporate License Number C-3193

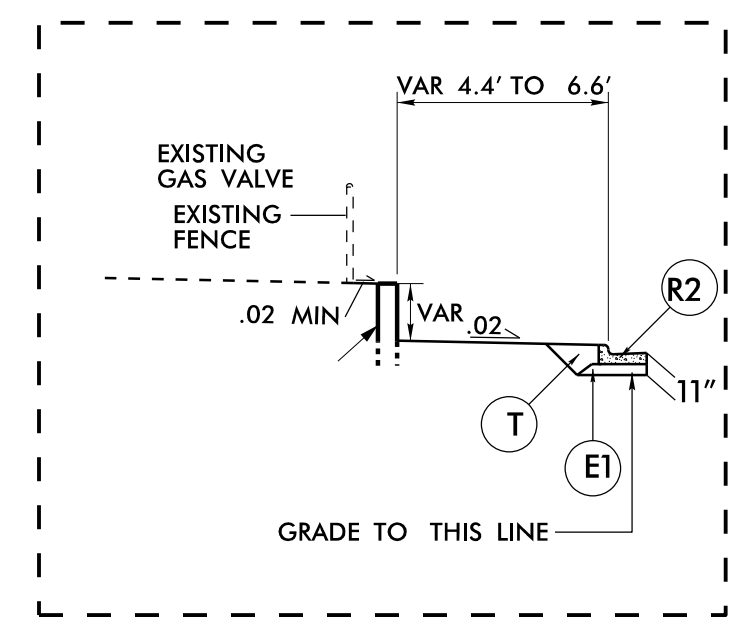
**Stantec**  
Stantec Consulting Services Inc  
801 Jones Franklin Road  
Suite 300  
Raleigh, NC 27606  
Tel. (919) 851-6866  
Fax. (919) 851-7024  
www.stantec.com  
License No. F-0672



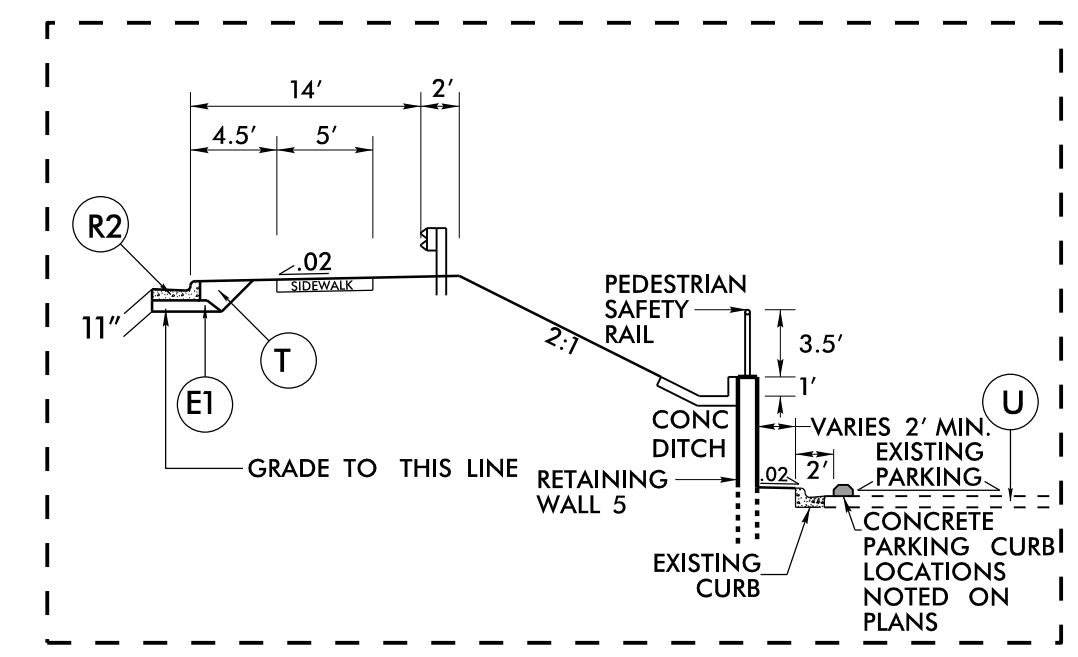
**TYPICAL SECTION NO. 3**  
-Y- STA. 13+75.00 TO STA. 25+88.00  
-Y- STA. 46+89.00 TO STA. 56+40.00



**TYPICAL SECTION NO. 4**  
\* -Y- STA. 25+88.00 TO STA. 30+66.00  
\*\* -Y- STA. 42+11.00 TO STA. 46+89.00  
\*\*\* CONCRETE ISLAND VARIES IN WIDTH, SEE INTERSECTION DETAIL SHEETS 2B-1 THRU 2B-3 AND PLAN SHEETS 7,9,10,11 FOR DIMENSIONS



**INSET 4A**  
USE TOGETHER WITH TYPICAL SECTION 4 AT:  
-Y- STA. 42+90.76 TO STA. 43+16.00 LEFT  
RETAINING WALL 6



**INSET 4B**  
USE TOGETHER WITH TYPICAL SECTION 4 AT:  
-Y- STA. 42+20.35 TO STA. 43+60.00 RIGHT  
RETAINING WALL 5

C1	1.5" S9.5C
C2	3" S9.5C
C3	VAR S9.5C
D1	4" I19.0C
D2	VAR. I19.0C
E1	4" B25.0C
E2	VAR. B25.0C
L1	12" CLASS IV SUB-GRADE STABILIZATION
N1	GEOTEXTILE FOR SUB-GRADE STABILIZATION
R1	2'-9" C&G
R2	2'-6" C&G
R3	1'-6" C&G
R4	5" ISLAND (KEYED)
R5	8" x 18" CURB
S	4" CONCRETE SIDEWALK
T	EARTH MATERIAL
U	EXISTING PAVEMENT
V	INCIDENTAL MILLING
W	WEDGING (SH 2A-1)

NOTE: PAVEMENT EDGE SLOPES 1:1 UNLESS SHOWN OTHERWISE

U:\18\2023\1803\183833C-rdy-typp.dgn