


5/14/2007

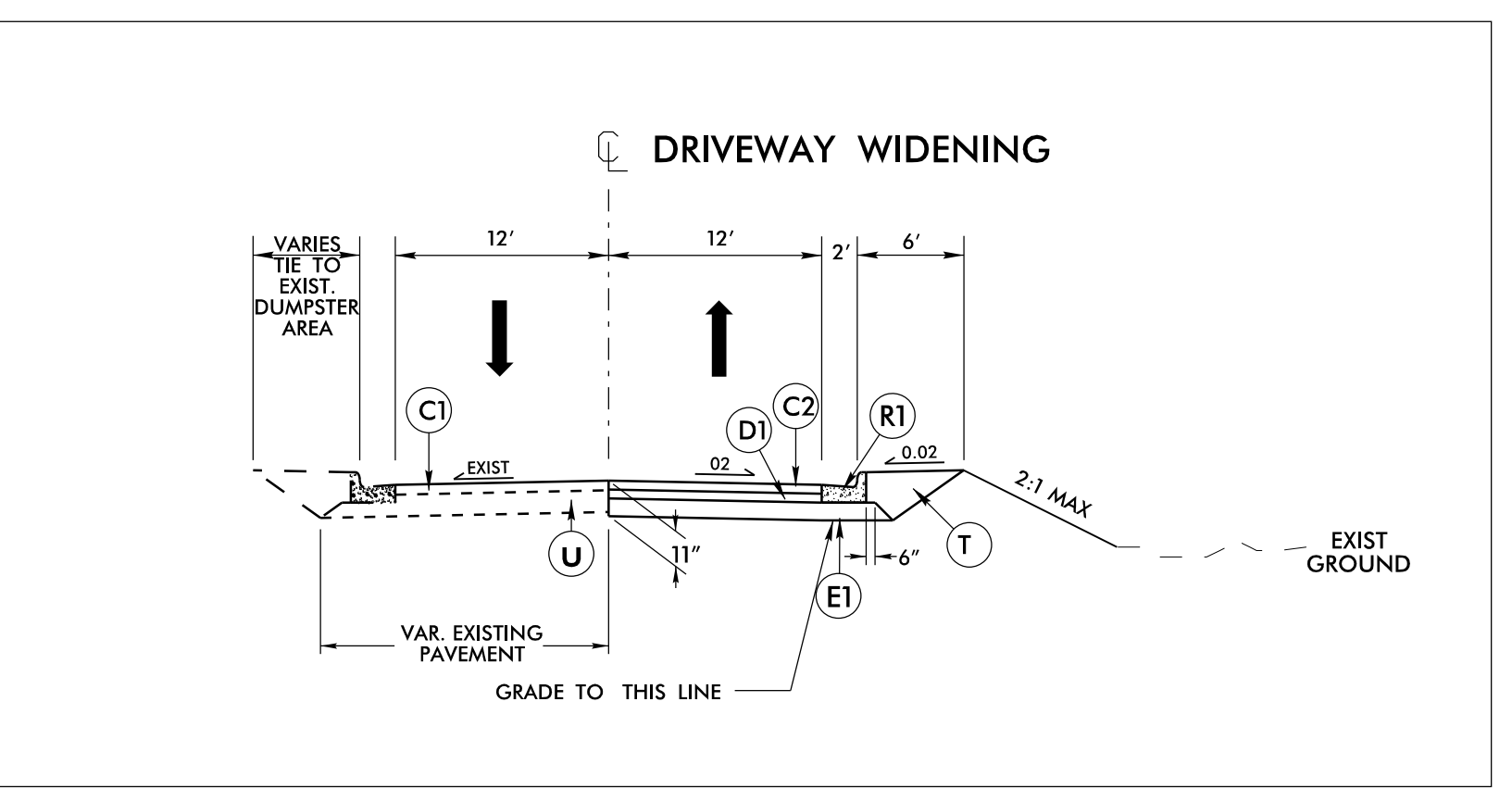
DRIVEWAY WIDENING DETAIL

PROJECT REFERENCE NO. <i>C-5621</i>	SHEET NO. <i>2B-8</i>
ROADWAY DESIGN ENGINEER	
	

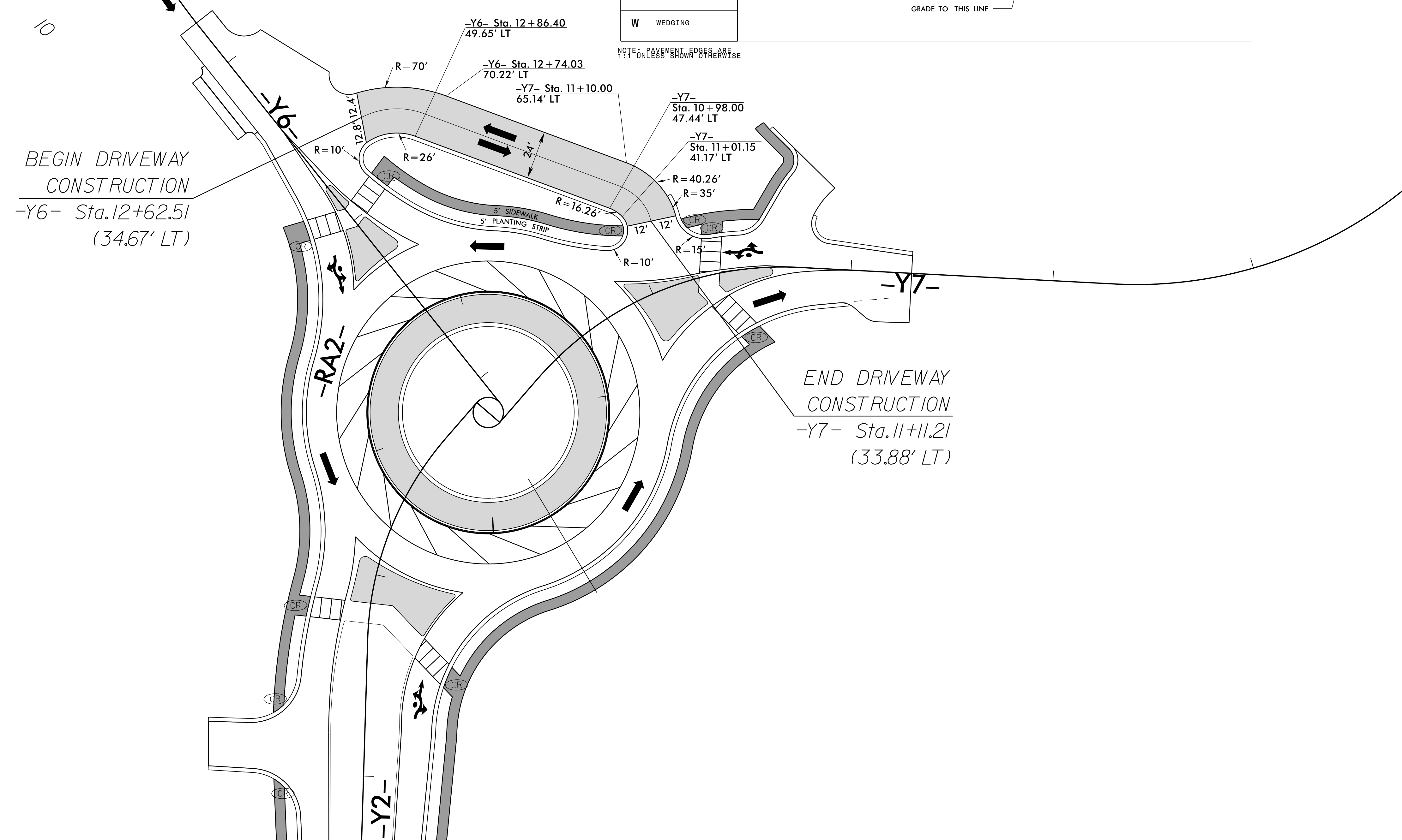
**DOCUMENT NOT CONSIDERED FINAL
UNLESS ALL SIGNATURES COMPLETED**

RS&H 1520 SOUTH BOULEVARD, SUITE 200
CHARLOTTE, NC 28203
NC FIRM LICENSE No: F-0493

PAVEMENT SCHEDULE	
C1	1.5" S9.5C
C2	3" S9.5C
D1	4" I19.0C
E1	4" B25.0C
R1	2'-6" C&G
T	EARTH MATERIAL
U	EXISTING PAVEMENT
W	WEDGING



NOTE: PAVEMENT EDGES ARE 1:1 UNLESS SHOWN OTHERWISE

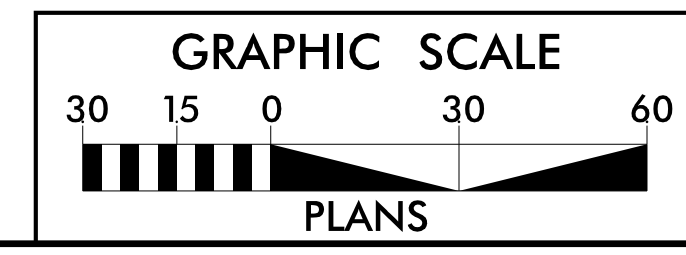


BEGIN DRIVEWAY
CONSTRUCTION
-Y6- Sta. 12+62.51
(34.67' LT)

END DRIVEWAY
CONSTRUCTION
-Y7- Sta. 11+11.21
(33.88' LT)

NAD 83/NA 2007

LOCATION: HOLIDAY LN. AND STERLING BAY LN. INTERSECTION	COUNTY: MECKLENBURG
TIP NO.: C-5621	DESIGNED BY: S. KORTOVICH, PE
CHECKED BY: J. FARINO, PE	DATE: 3/14/2023



R:\Roadway\2023\1415\RDY_dumpster_detail_2B8.dgn