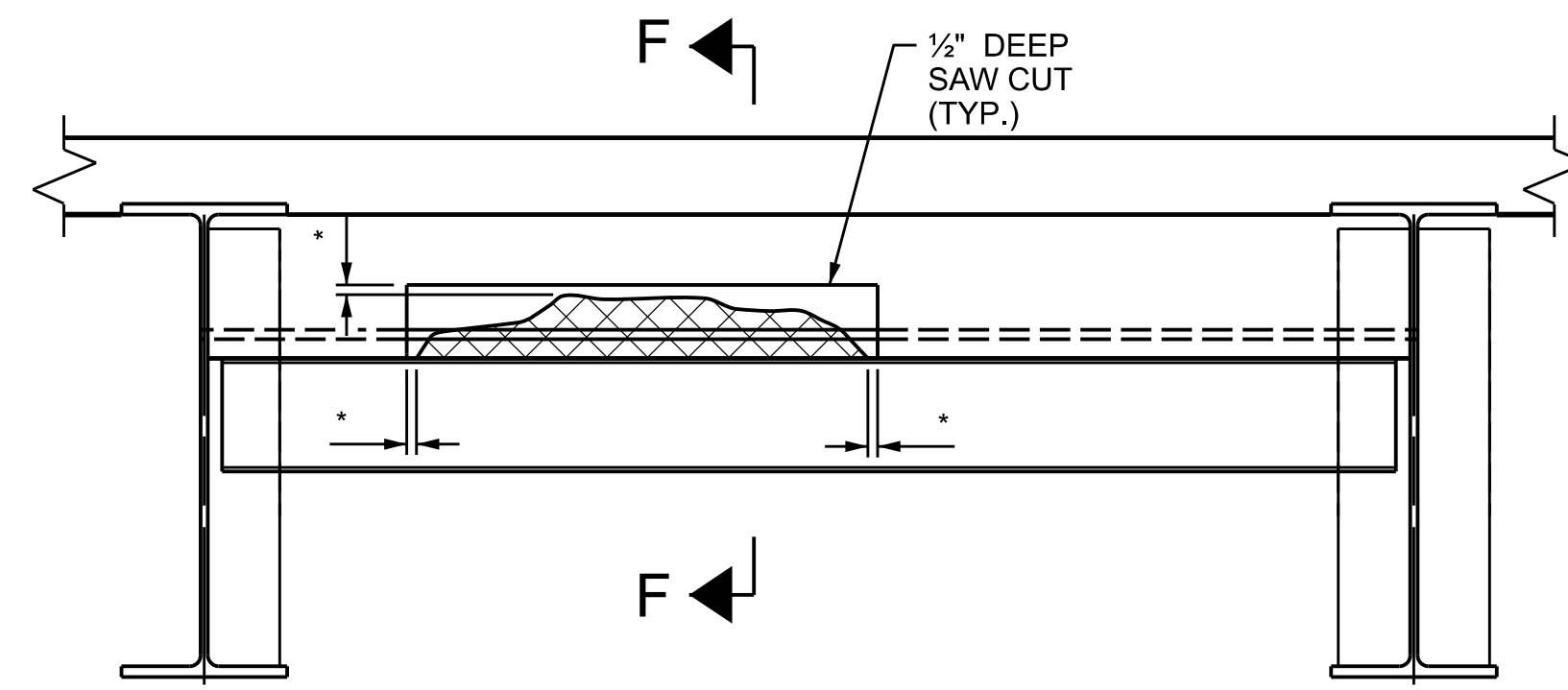


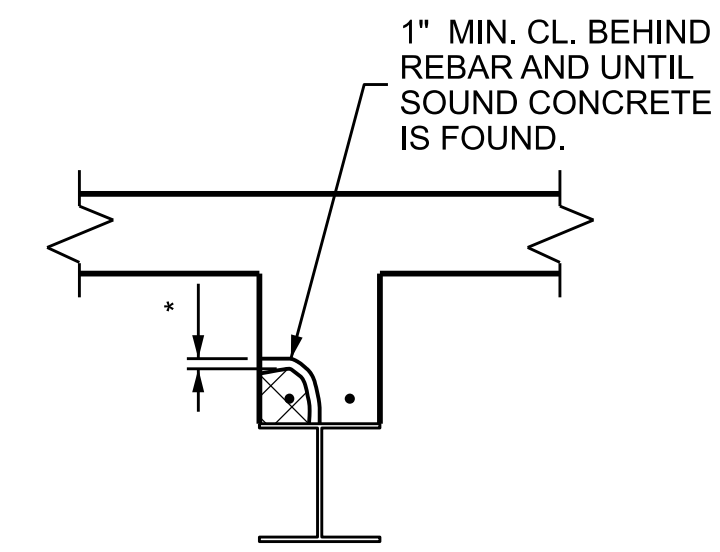
NOTE: OVERHANG DIAPHRAGMS TO BE REMOVED AND REPLACED, ARE SHOWN ON "PLAN OF SPAN" SHEET. OVERHANG DIAPHRAGMS SHALL BE REMOVED PRIOR TO CLEANING AND PAINTING OF BEAMS AND REPLACED AFTER BEAM REPAIRS AND PAINTING ARE COMPLETE.

NOTE: EXISTING REBAR TO REMAIN IN PLACE. CLEAN AND REPAIR AS NECESSARY.

 DAMAGED AREA

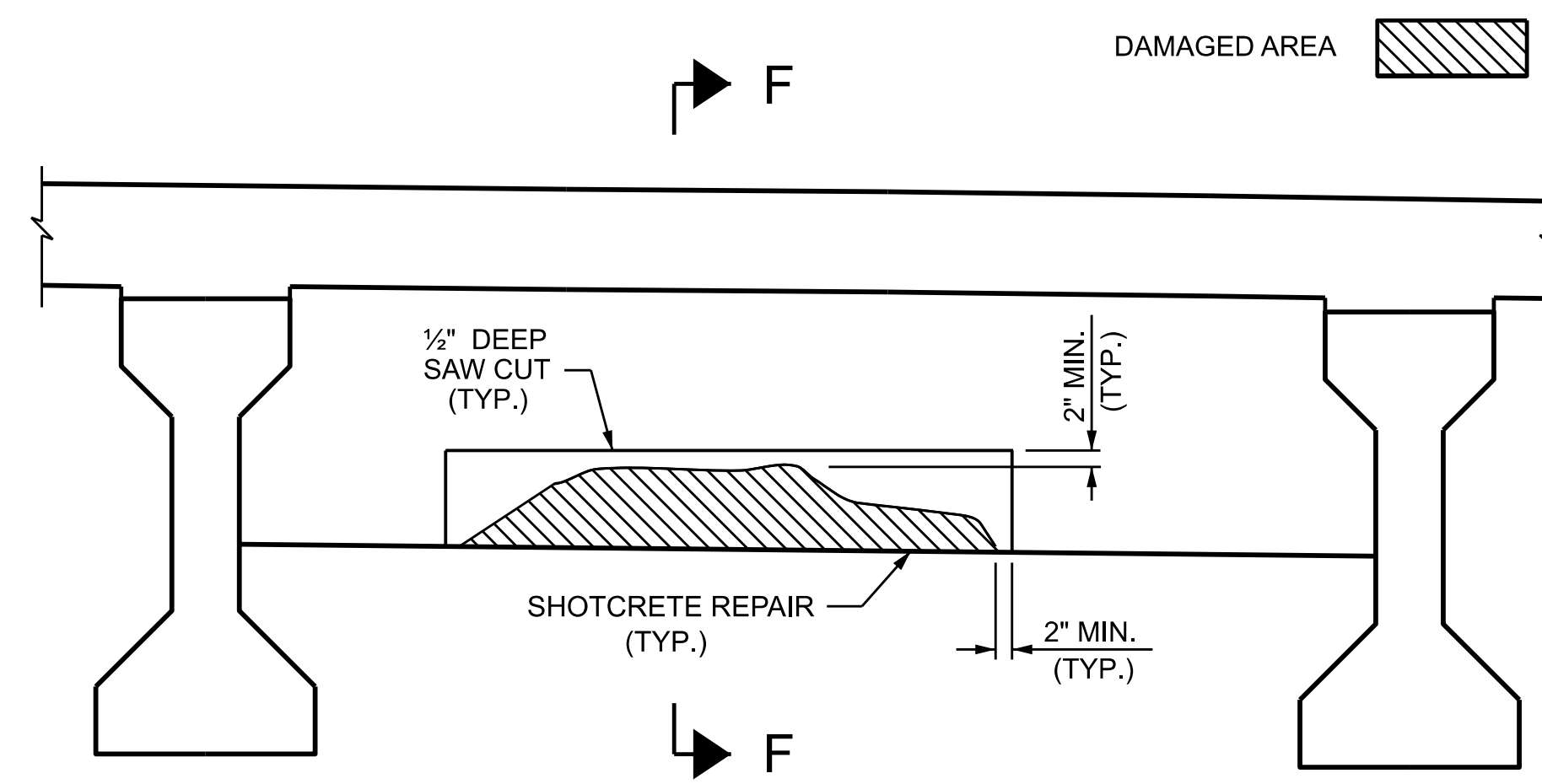


TYPICAL SECTION

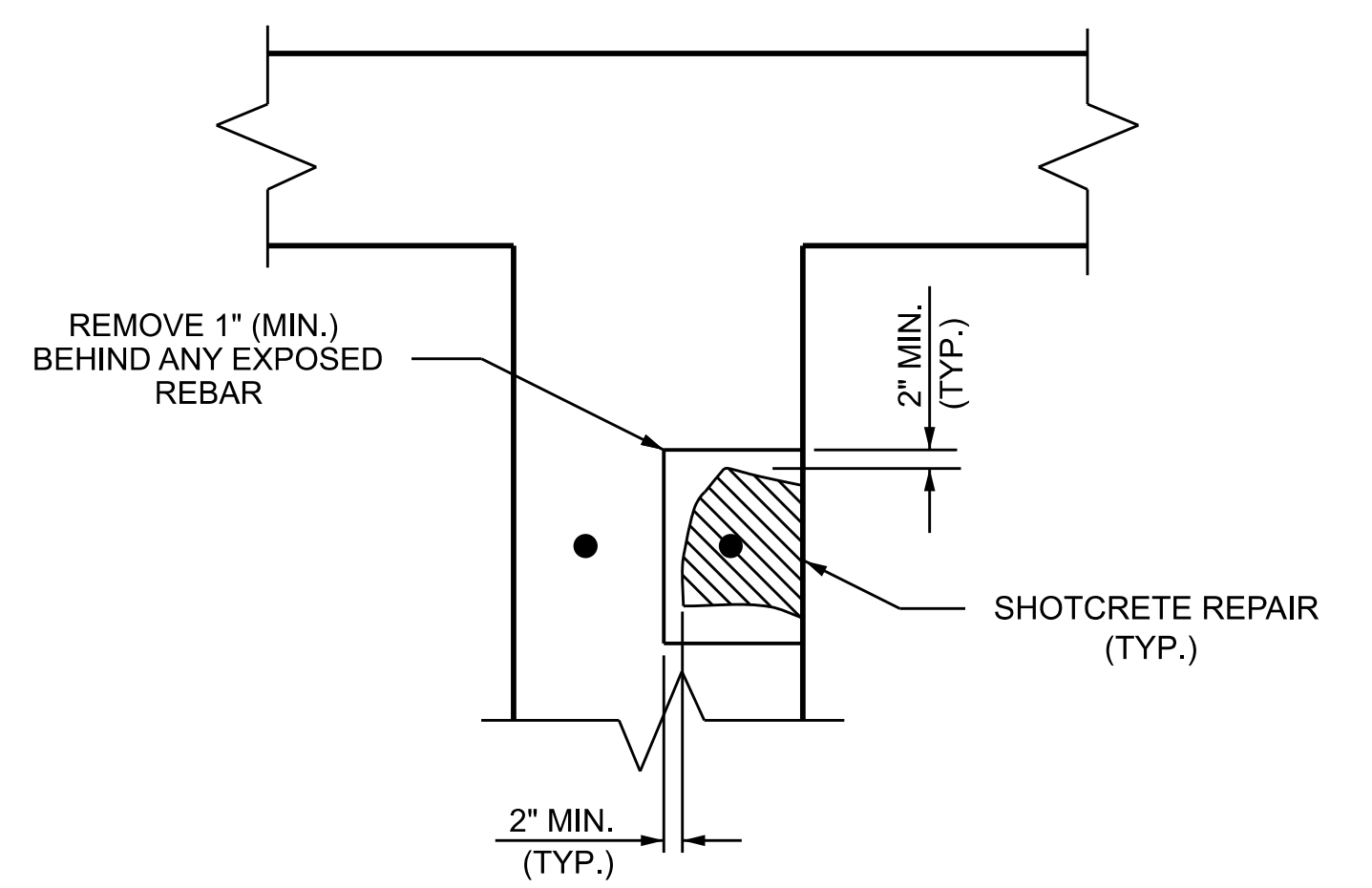


SECTION F-F

* REMOVE CONCRETE UNTIL SOUND CONCRETE IS FOUND (2" MIN. CL.)



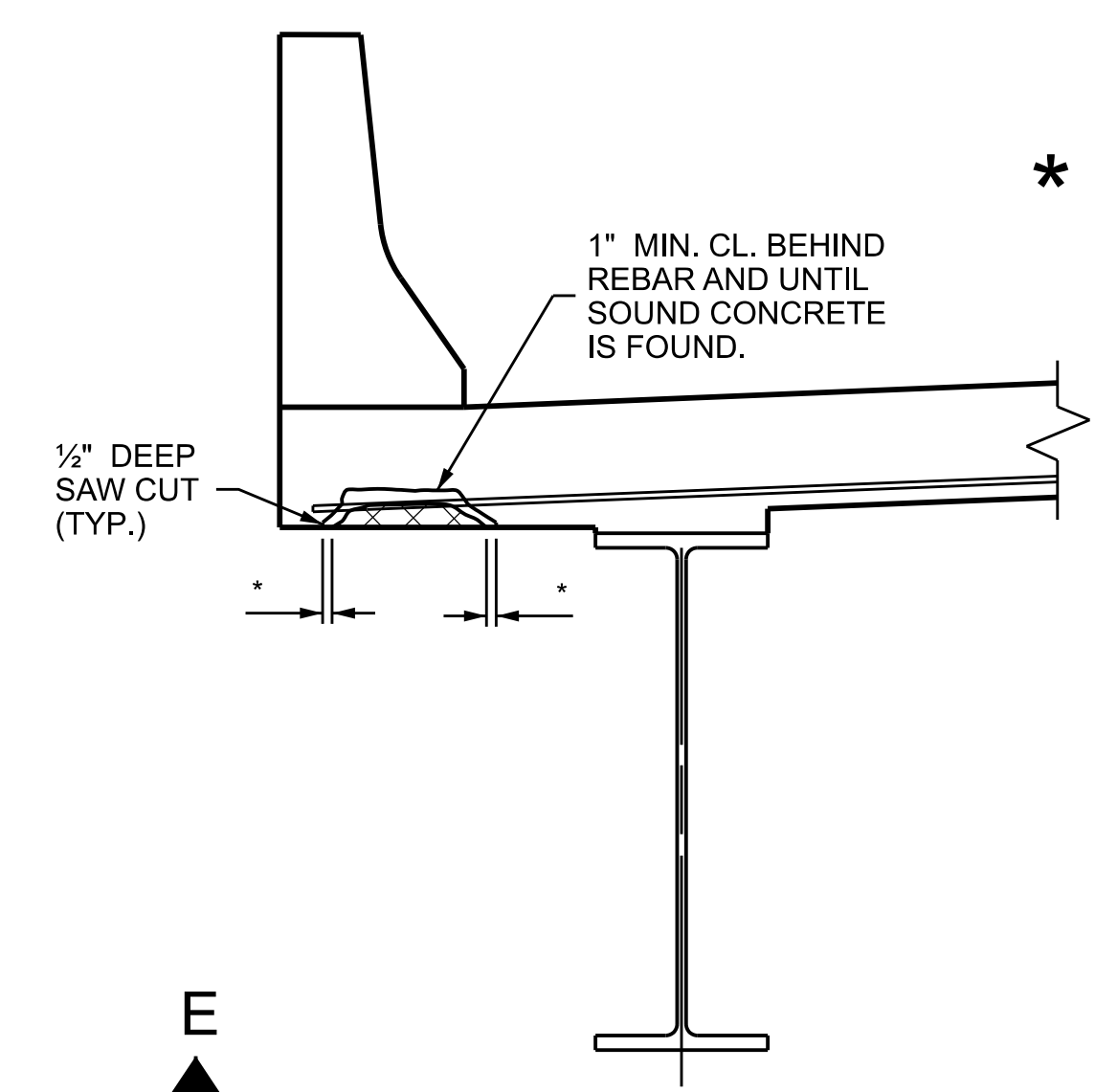
TYPICAL SECTION



SECTION F-F

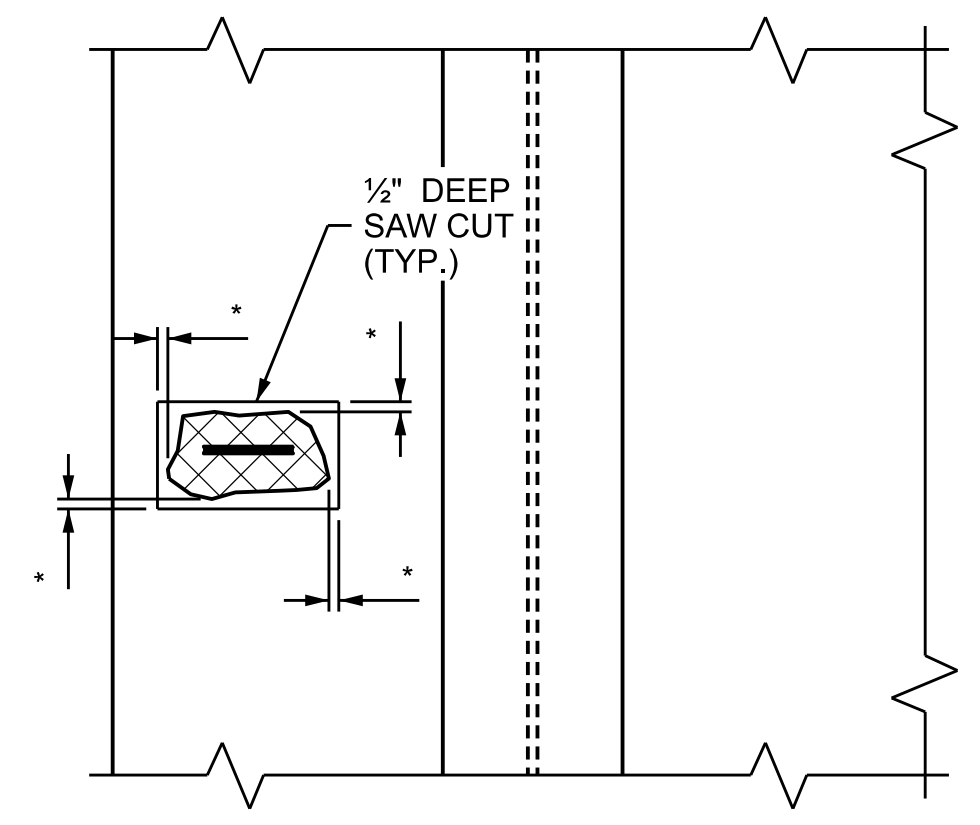
BENT DIAPHRAGM REPAIR DETAILS

INTERIOR DIAPHRAGM REPAIR DETAILS



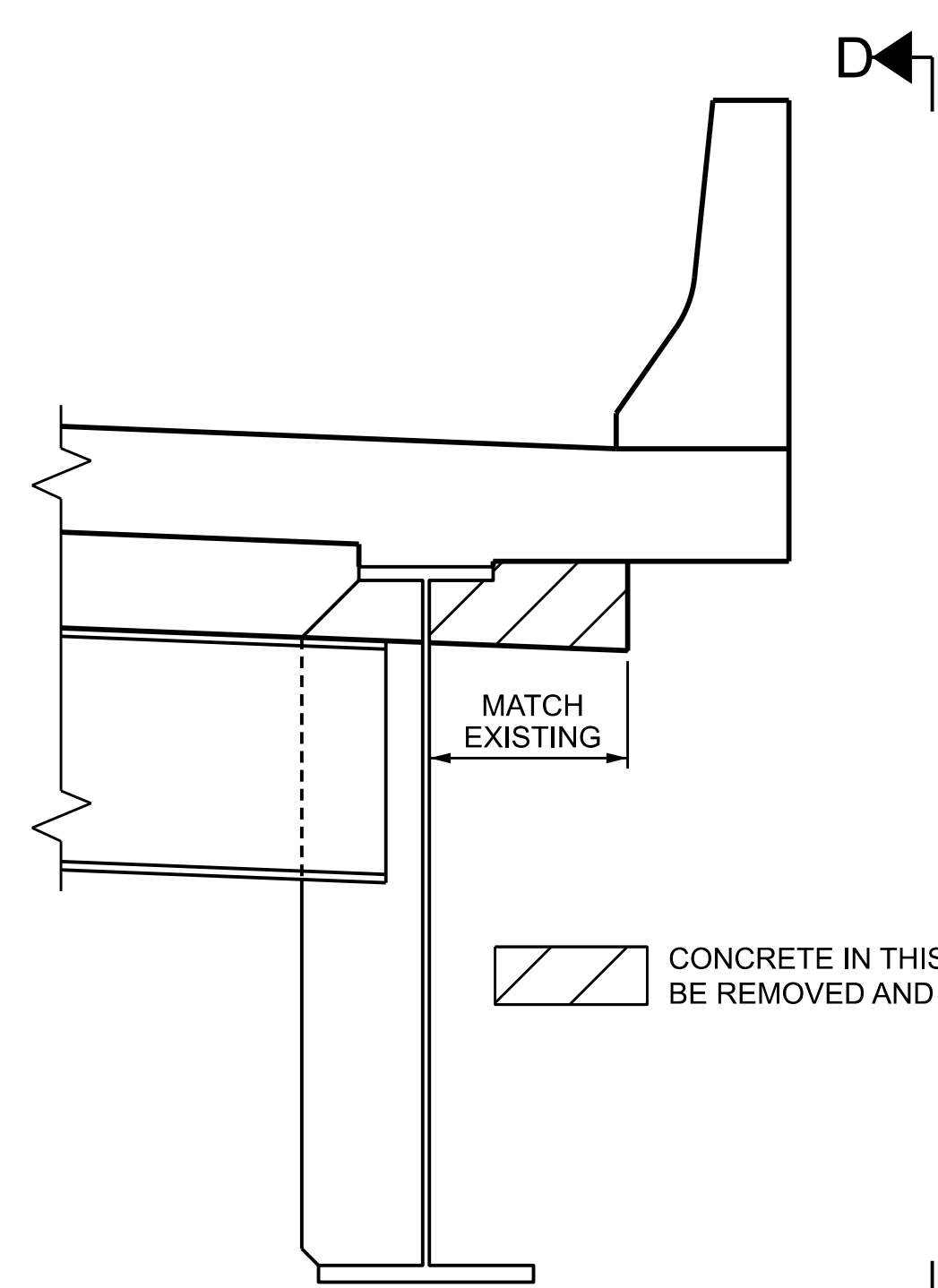
TYPICAL SECTION

* AT DAMAGED AREA REMOVE CONCRETE UNTIL SOUND CONCRETE IS FOUND (2" MIN. CL.)



SECTION E-E

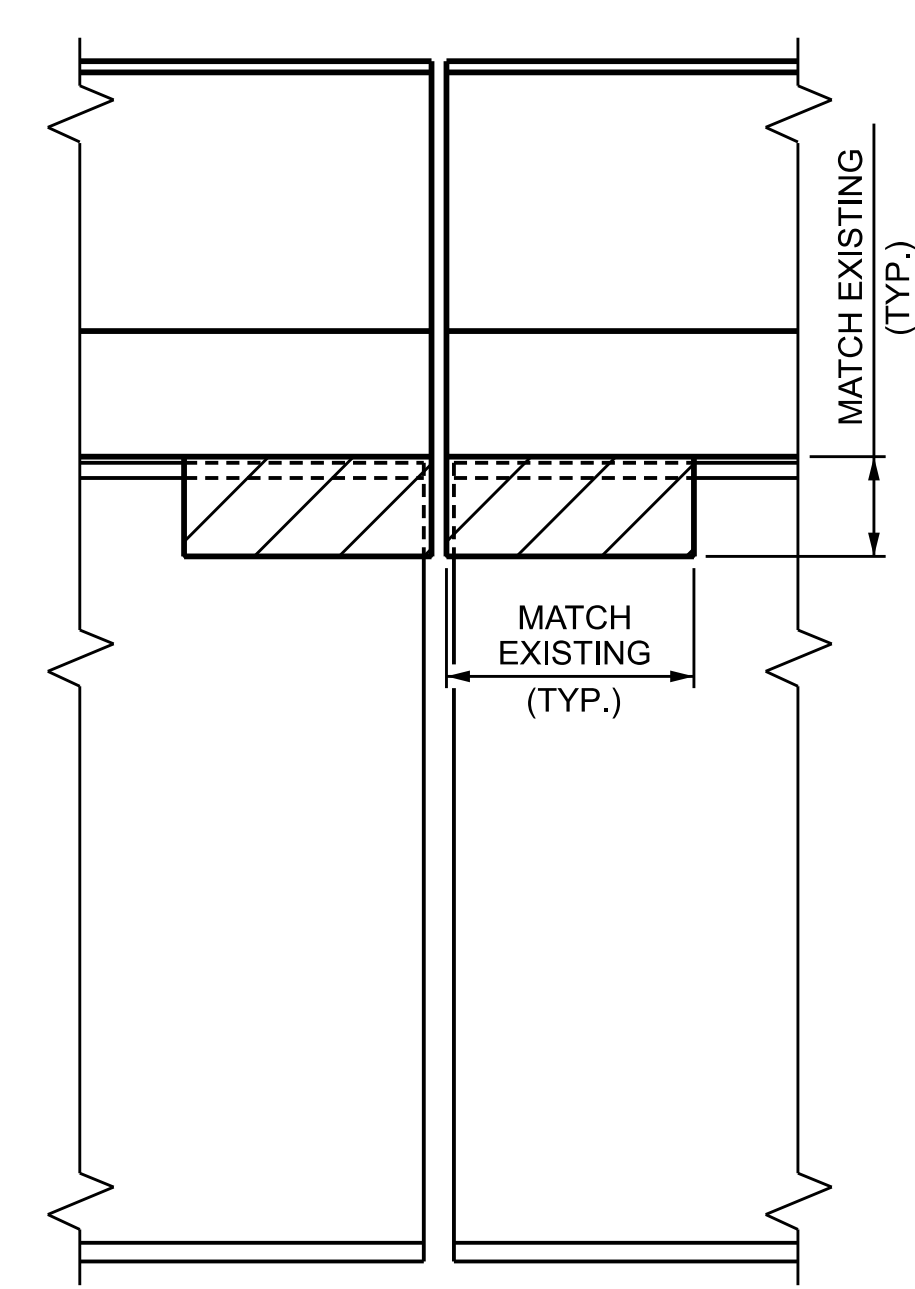
OVERHANG DETAILS



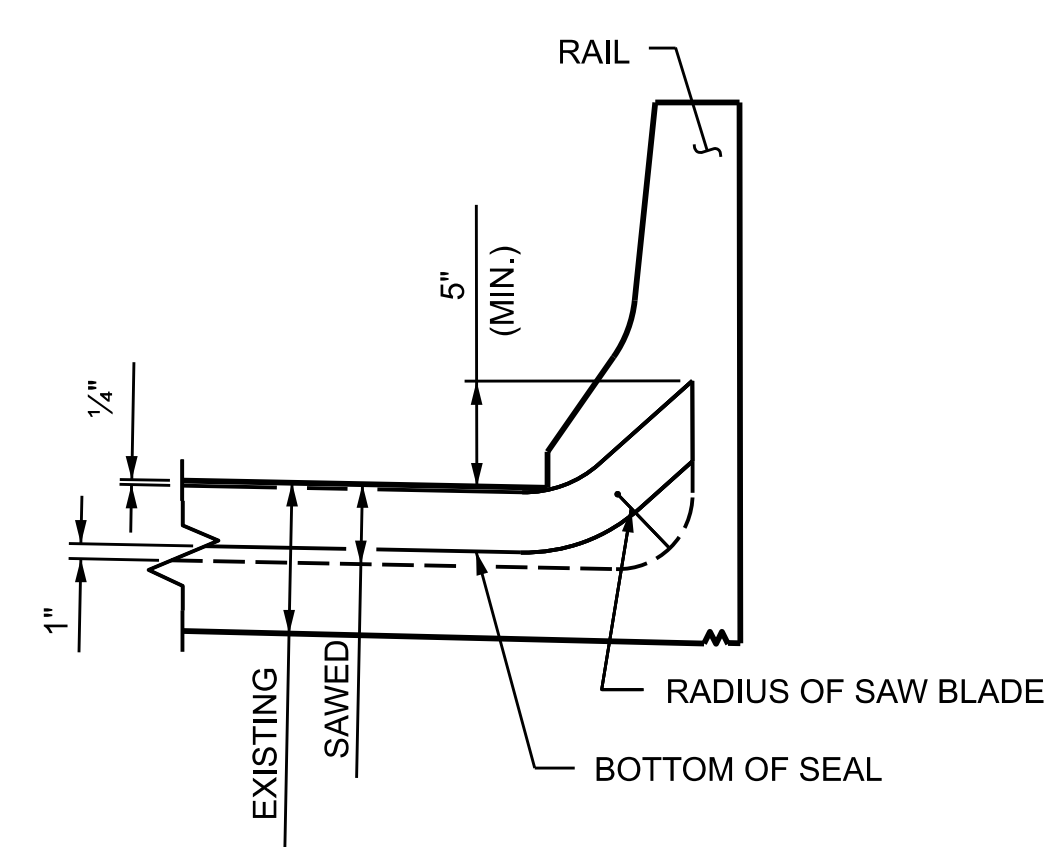
TYPICAL SECTION

 CONCRETE IN THIS AREA SHALL BE REMOVED AND REPLACED

OVERHANG DIAPHRAGM REPLACEMENT DETAILS



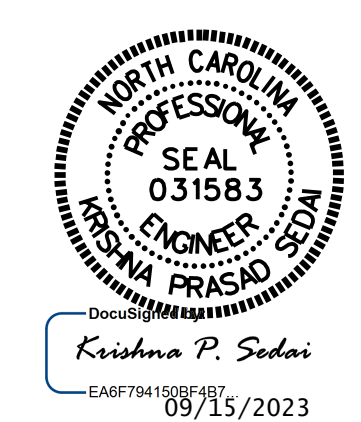
SECTION D-D



TYPICAL SECTION

BRIDGE RAIL DETAILS

PROJECT NO. 15BPR.125.3
CHEROKEE COUNTY
 BRIDGE NO. 190009,190010



STATE OF NORTH CAROLINA
 DEPARTMENT OF TRANSPORTATION
 RALEIGH
**OVERHANG, DIAPHRAGM,
 BRIDGE RAIL REPAIR
 DETAILS**

DRAWN BY : A. SORSENGINH DATE : 8/2022
 CHECKED BY : S. AGUILAR HERNANDEZ DATE : 8/2022
 DESIGN ENGINEER OF RECORD: _____ DATE: _____

9/15/2023
 S:\DPG3\15BPR.125.3\Final Plans\403.003.15BPR125.3.SMU.ODBRR.S02.dgn
 ksedai

DOCUMENT NOT CONSIDERED
 FINAL UNLESS ALL
 SIGNATURES COMPLETED

REVISIONS						SHEET NO.
NO.	BY:	DATE:	NO.	BY:	DATE:	SD-2
1			3			TOTAL SHEETS
2			4			5