

PROJECT REFERENCE NO.	SHEET NO.
HE-0011	EC-9/CONST.5
RW SHEET NO.	
ROADWAY DESIGN ENGINEER	HYDRAULICS ENGINEER

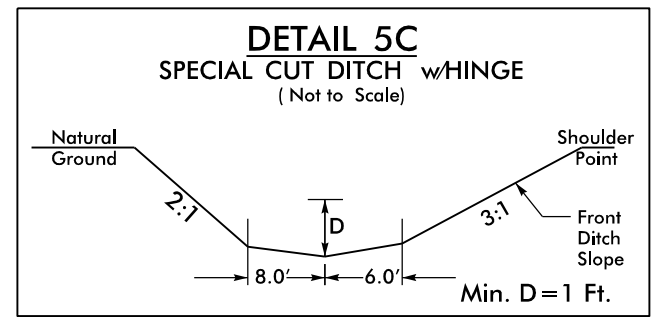
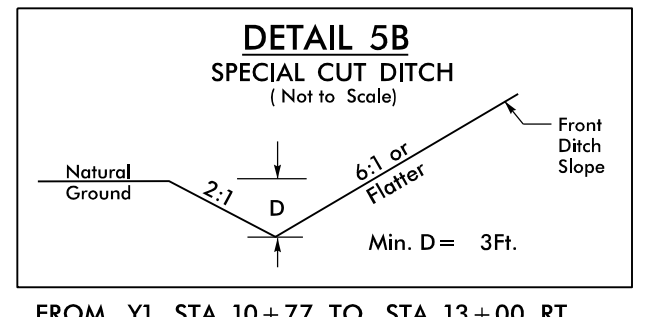
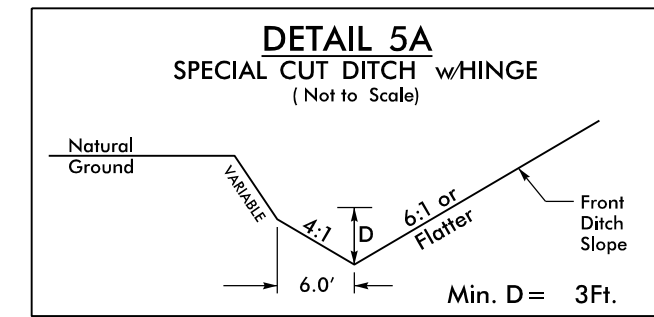
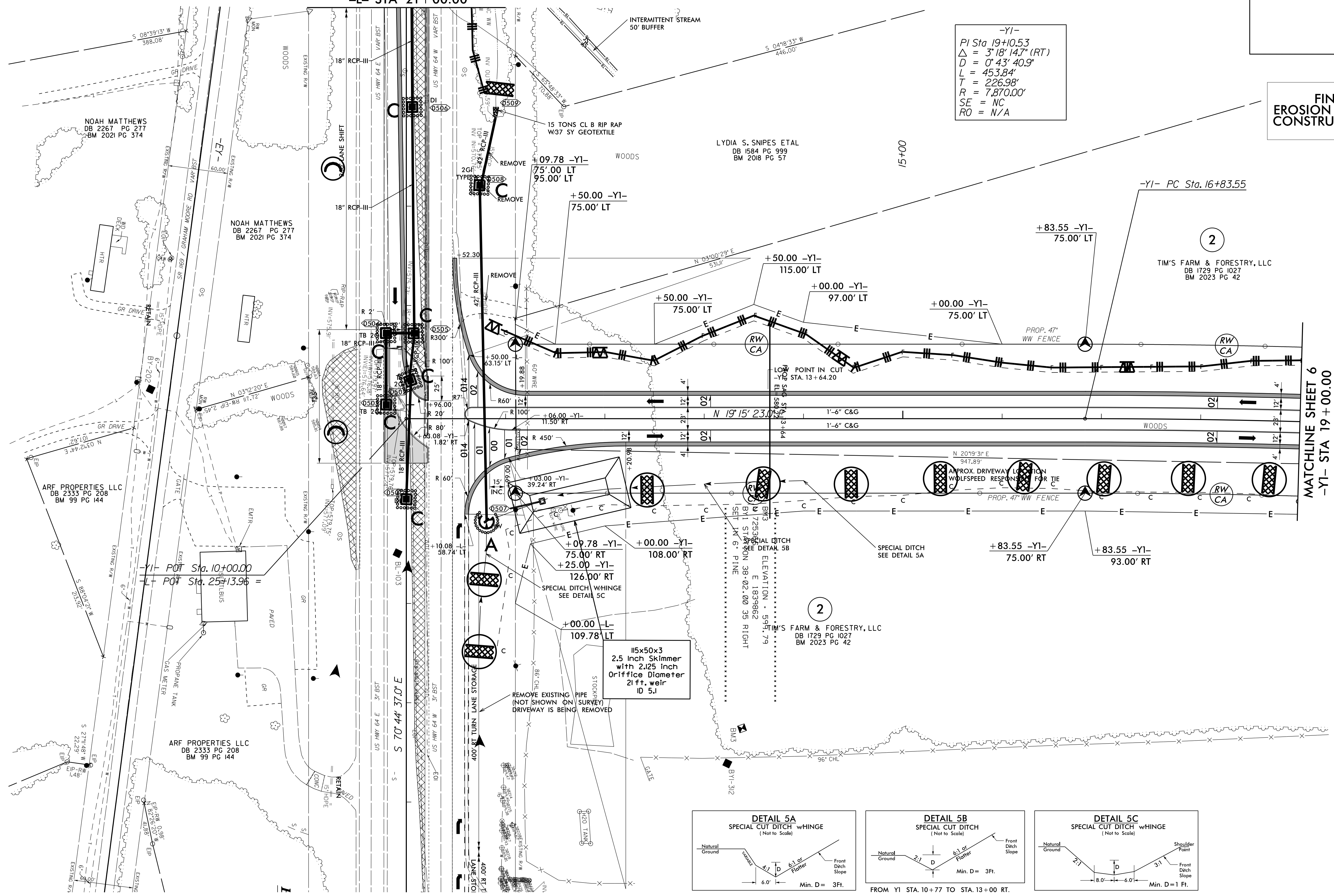


NAD 83/2011

MATCHLINE SHEET 4
-L- STA 21+00.00

-Y1-
PI Sta 19+10.53
 $\Delta = 3' 18" 14.7" (RT)$
 $D = 0' 43" 40.9"$
 $L = 453.84'$
 $T = 226.98'$
 $R = 7,870.00'$
SE = NC
RO = N/A

FINAL PHASE
EROSION CONTROL FOR
CONSTRUCTION SHEET 5



FOR -Y1- PROFILE, SEE SHEET 8

8/17/99
 SSSJL\USER\AMESS55
 17-JUL-2023 15:24
 pw/gfnet-pw.bentley.com/gfnet-pw-01\Documents\Projects\691725-Working\Task_017 - Chatham County SiteErosion Control\CADD\PSHE-0011_rdy_psh05_EC9.dgn