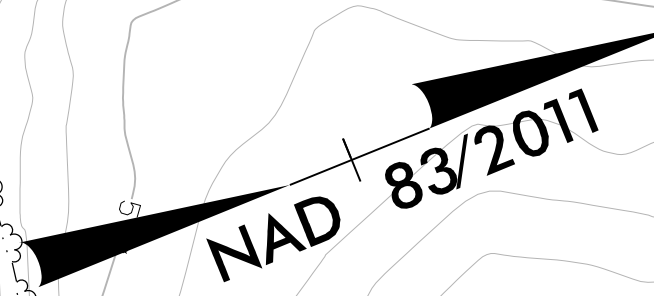
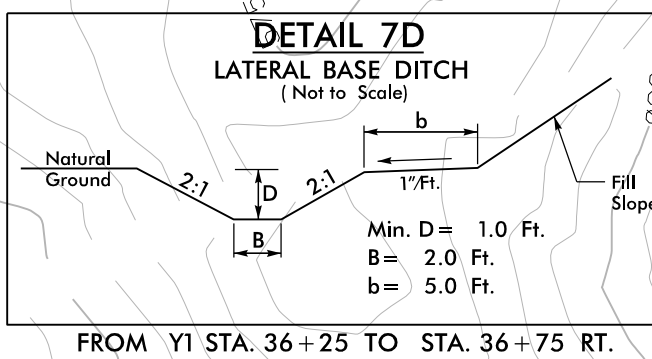
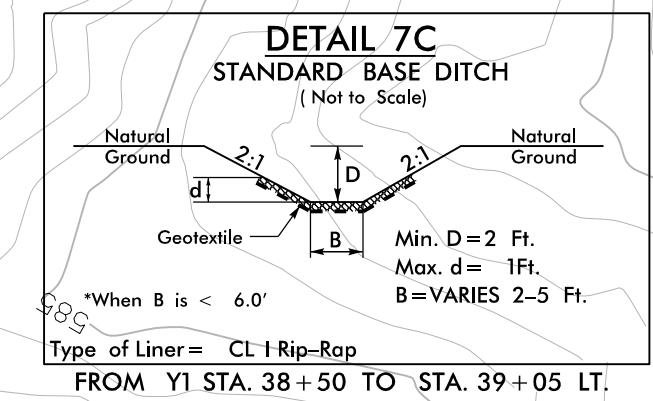
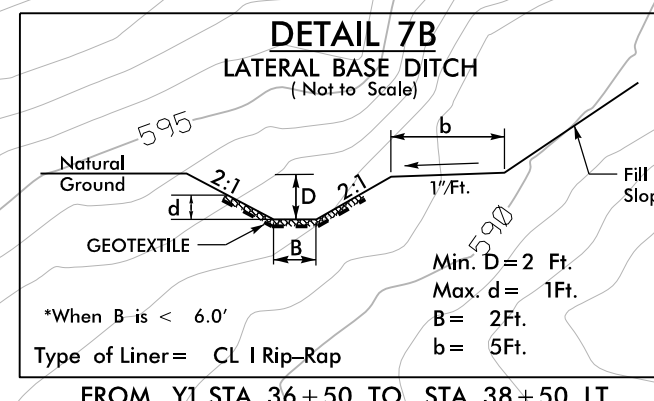
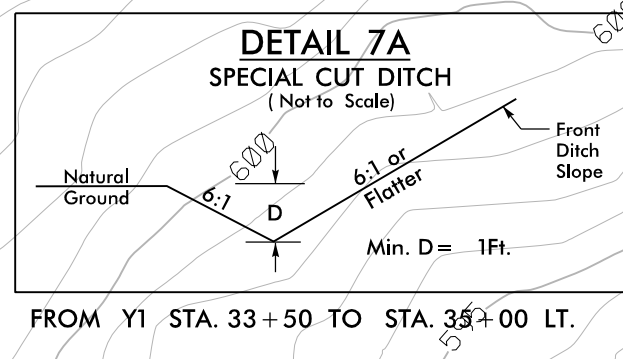
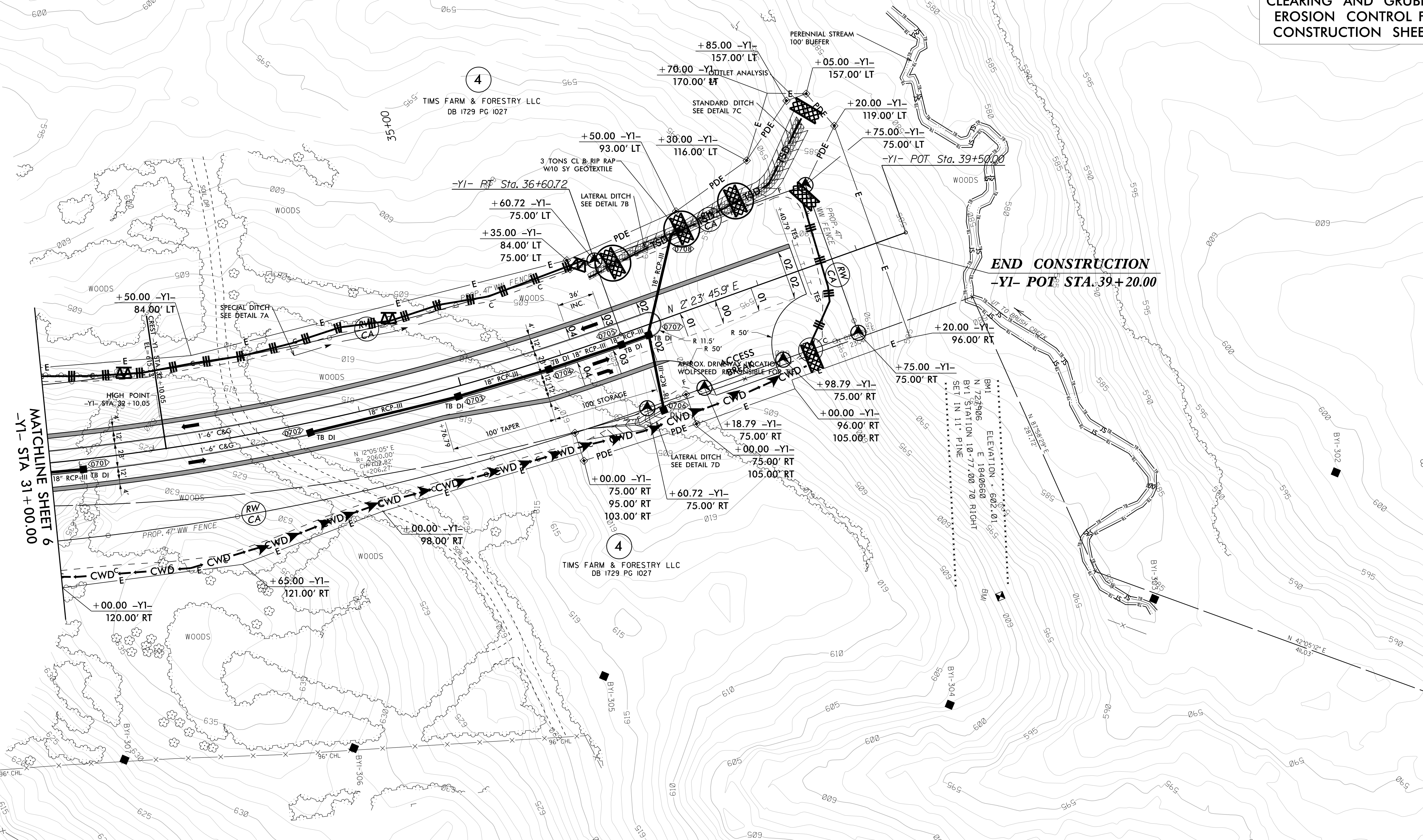


PROJECT REFERENCE NO.	SHEET NO.
HE-0011	EC-7/CONST.7
RW SHEET NO.	
ROADWAY DESIGN ENGINEER	HYDRAULICS ENGINEER

-Y1-
 PI Sta 32+60.23
 $\Delta = 20^{\circ}08'51.7"$ (LT)
 $D = 2^{\circ}29'28.0"$
 $L = 809.45'$
 $R = 408.95'$
 $SE = 04$
 $RO = 144$



**CLEARING AND GRUBBING
 EROSION CONTROL FOR
 CONSTRUCTION SHEET 7**



**END CONSTRUCTION
 -Y1- POT STA. 39+20.00**

MATCHLINE SHEET 6
 -Y1- STA 31+00.00

FOR -Y1- PROFILE, SEE SHEET 9

8/17/2017
 S:\SS\USER\AMESS\17 JUL 2023 15:23
 pw\gfm\pw-bentley.com\gfm\pw-01\Documents\Projects\691725-Working\Task 017 - Chatham County SiteErosion Control\CADD\PSHE-0011_rdy_psh07_EC7.dgn