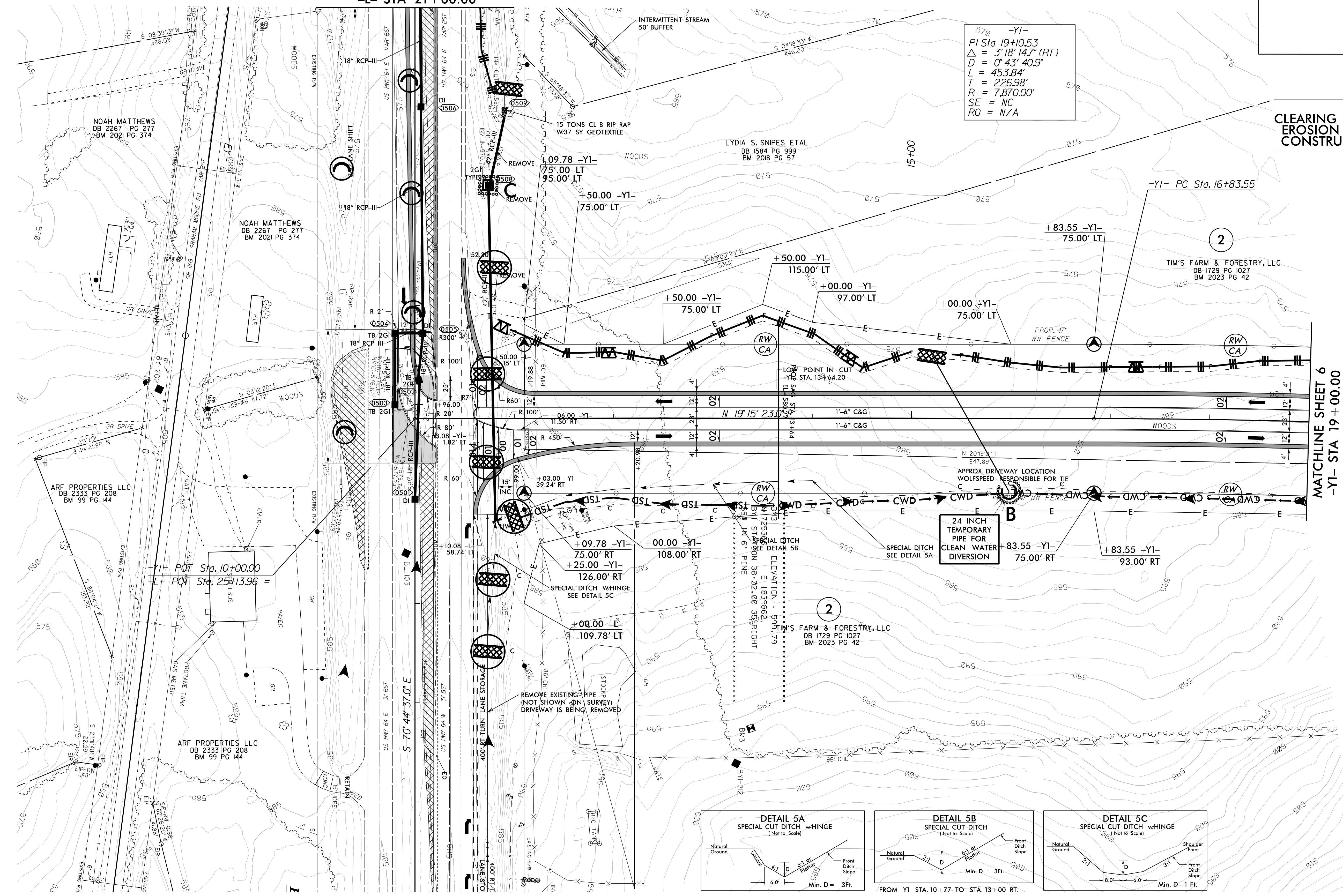


PROJECT REFERENCE NO.	SHEET NO.
HE-0011	EC-5/CONST.5
RW SHEET NO.	
ROADWAY DESIGN ENGINEER	HYDRAULICS ENGINEER



NAD 83/2011

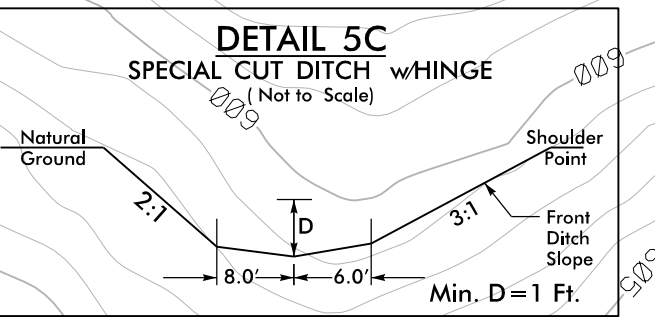
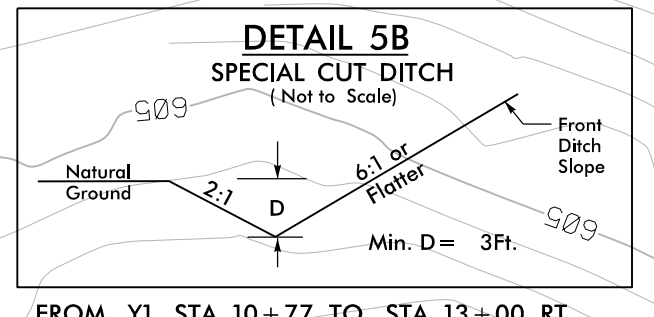
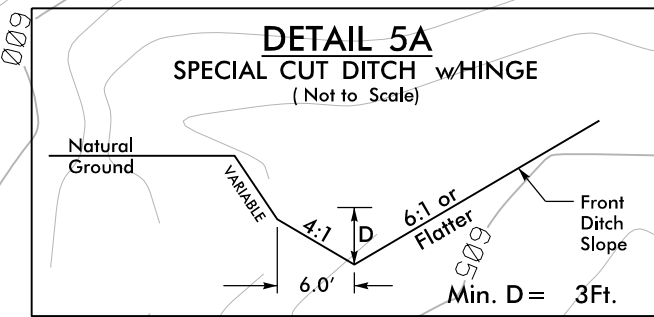
MATCHLINE SHEET 4  
-L- STA 21+00.00



570 -Y1-  
PI Sta 19+10.53  
 $\Delta = 3'18''14.7'' (RT)$   
 $D = 0'43''40.9''$   
 $L = 453.84'$   
 $T = 226.98'$   
 $R = 7,870.00'$   
 $SE = NC$   
 $RO = N/A$

CLEARING AND GRUBBING  
EROSION CONTROL FOR  
CONSTRUCTION SHEET 5

MATCHLINE SHEET 6  
-Y1- STA 19+00.00



FROM Y1 STA. 10+77 TO STA. 13+00 RT.

FOR -Y1- PROFILE, SEE SHEET 8

8/17/99  
 SSSJL:USERNAME\$55  
 17-JUL-2023 15:23  
 pw:/gfnel-pw.bentley.com/gfnel-pw-01/Documents/Projects/691725-WorkingTask\_017 - Chatham County SiteErosion Control/CADD/PSHE-0011\_rdy\_psh05\_EC5.dgn