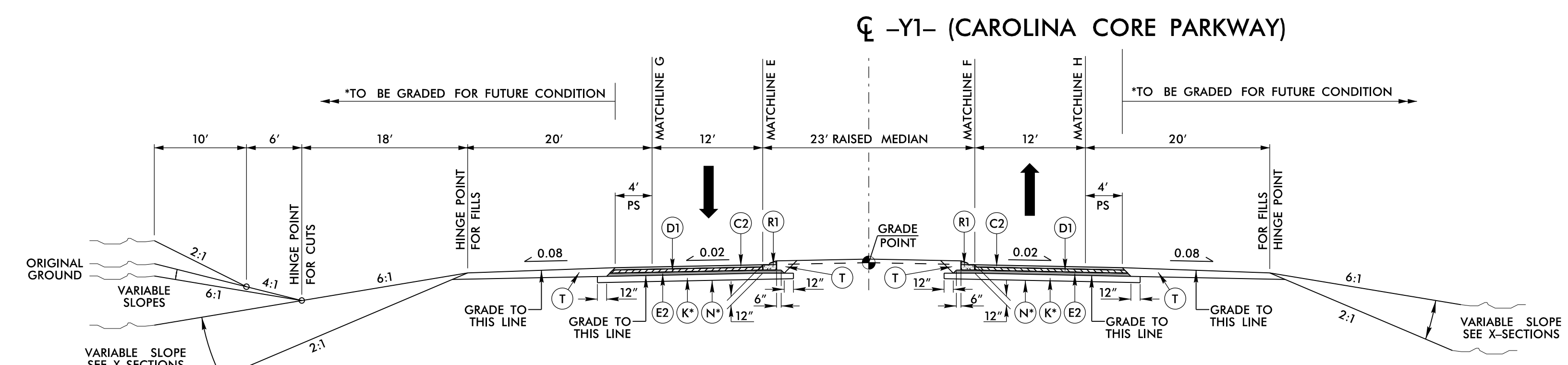


8/17/99

PAVEMENT SCHEDULE	
C1	1½" S9.5C
C2	3" S9.5C
C3	VAR. S9.5C
D1	4" I19.0C
D2	VAR. I19.0C
E1	3" B25.0C
E2	5" B25.0C
E3	VAR. B25.0C
K	8" CLASS IV SUBGRADE STABILIZ.
N	GEOTEXTILE FOR SUBGRADE STABILIZ.
R1	1'-6" C&G
R2	CONC. EXP. GUTTER
R3	5" MONO. ISLAND
T	EARTH MATERIAL
U	EXIST. PAVEMENT
V	INCIDENTAL MILLING



PROJECT REFERENCE NO. HE-0011	SHEET NO. 2A-2
RW SHEET NO.	
ROADWAY DESIGN ENGINEER	PAVEMENT DESIGN ENGINEER
Benjamin A. White 9/6/2023	Shihai Zhang 9/7/2023
DOCUMENT NOT CONSIDERED FINAL UNLESS ALL SIGNATURES COMPLETED	

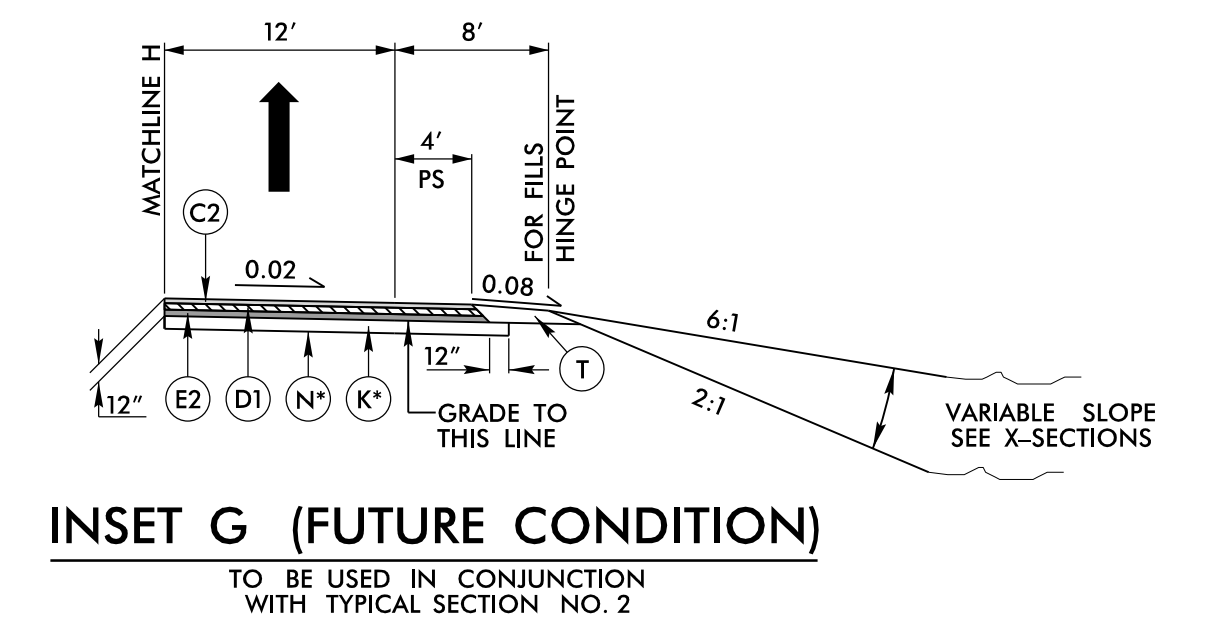
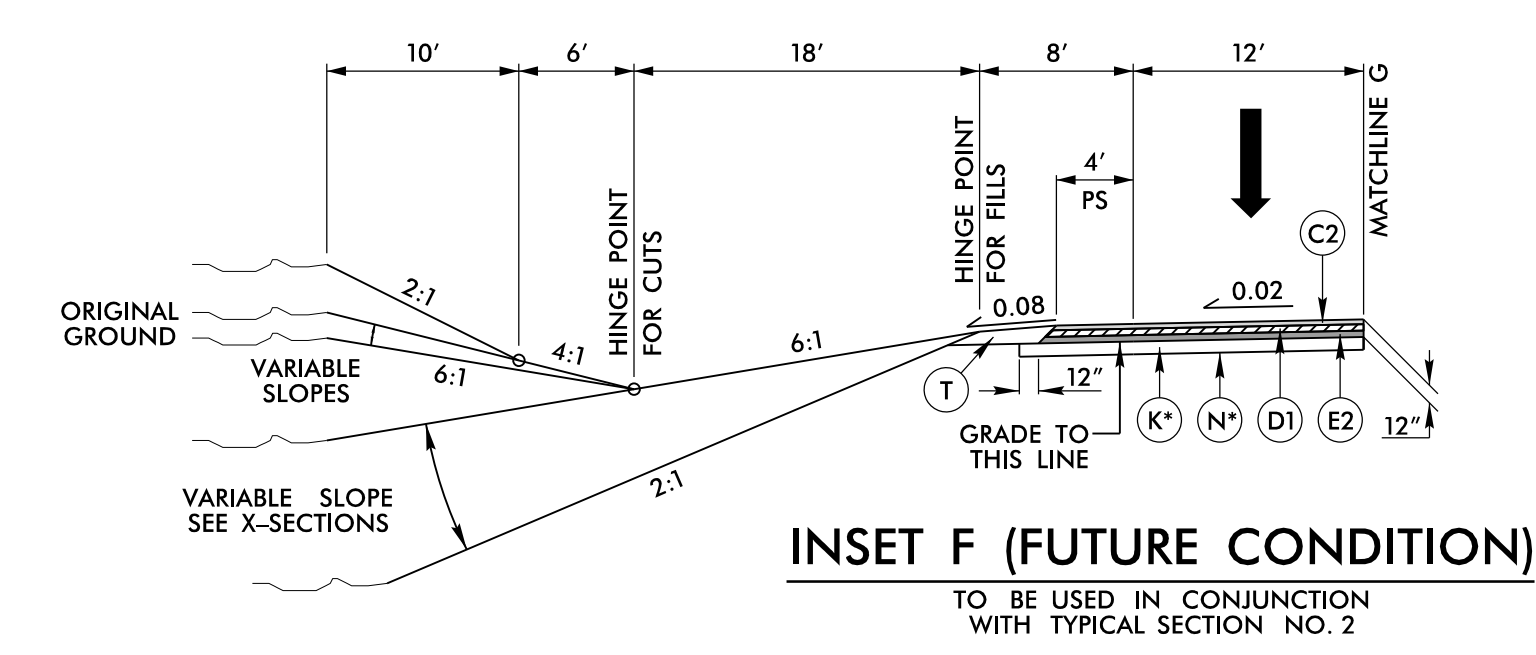
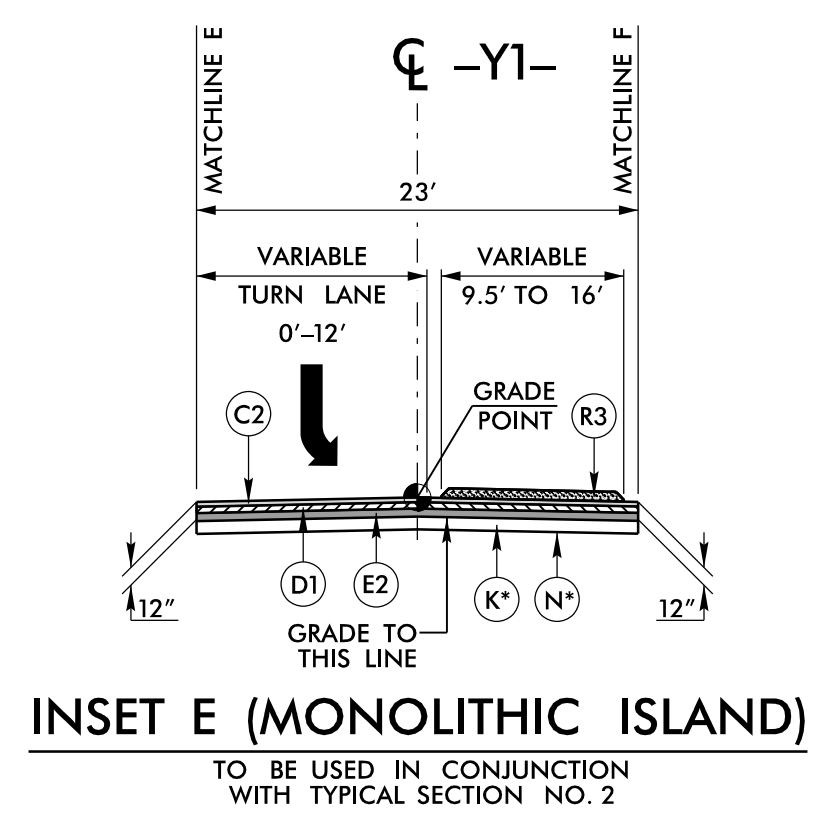


TYPICAL SECTION NO. 2

-Y1- STA. 10+46.78 TO STA. 38+40.79

* TO BE USED FROM -Y1- STA. 22+75.00 TO STA. 25+75.00.
SEE GEOTECHNICAL REPORT FOR MORE INFORMATION.

NOTE: PAVEMENT EDGE SLOPES ARE 1:1 UNLESS SHOWN OTHERWISE.



bwhite 9/6/2023 c:\pwworking\gfpw01\bwhite\d1551332\HE-0011_rdy_typ.dgn