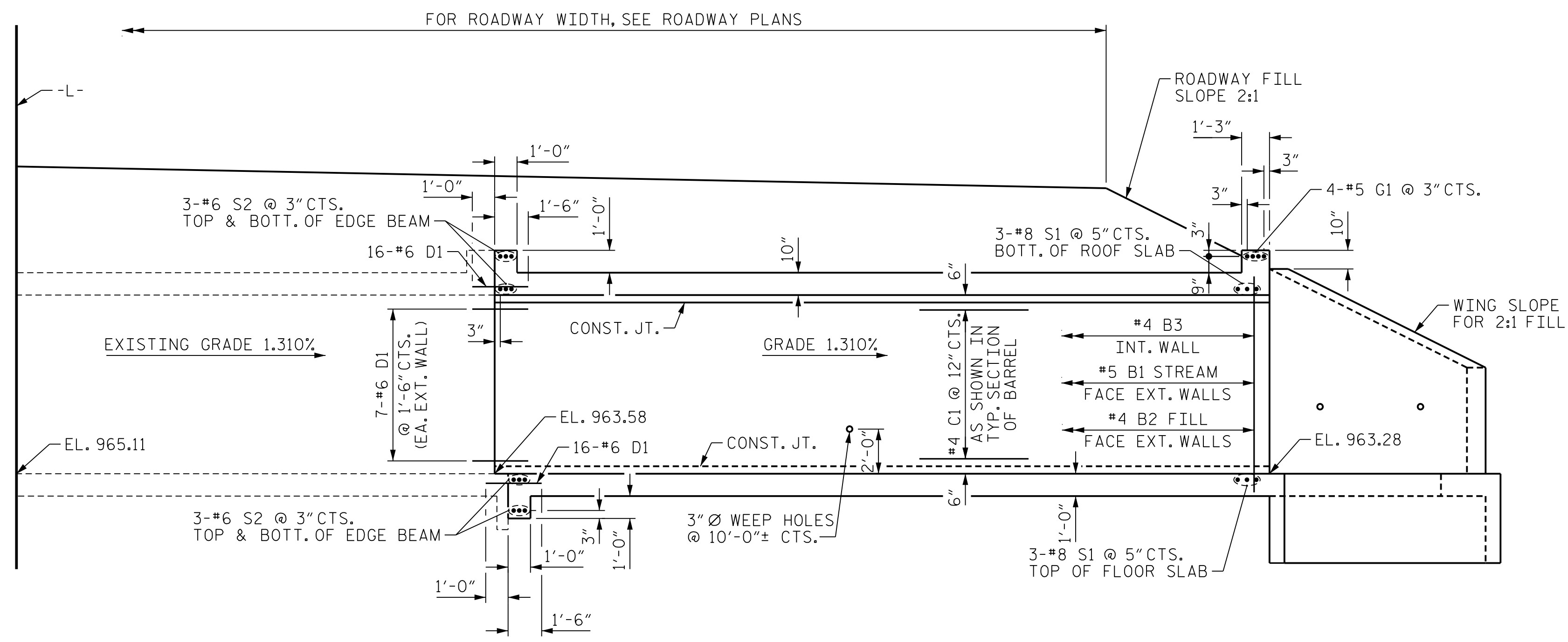
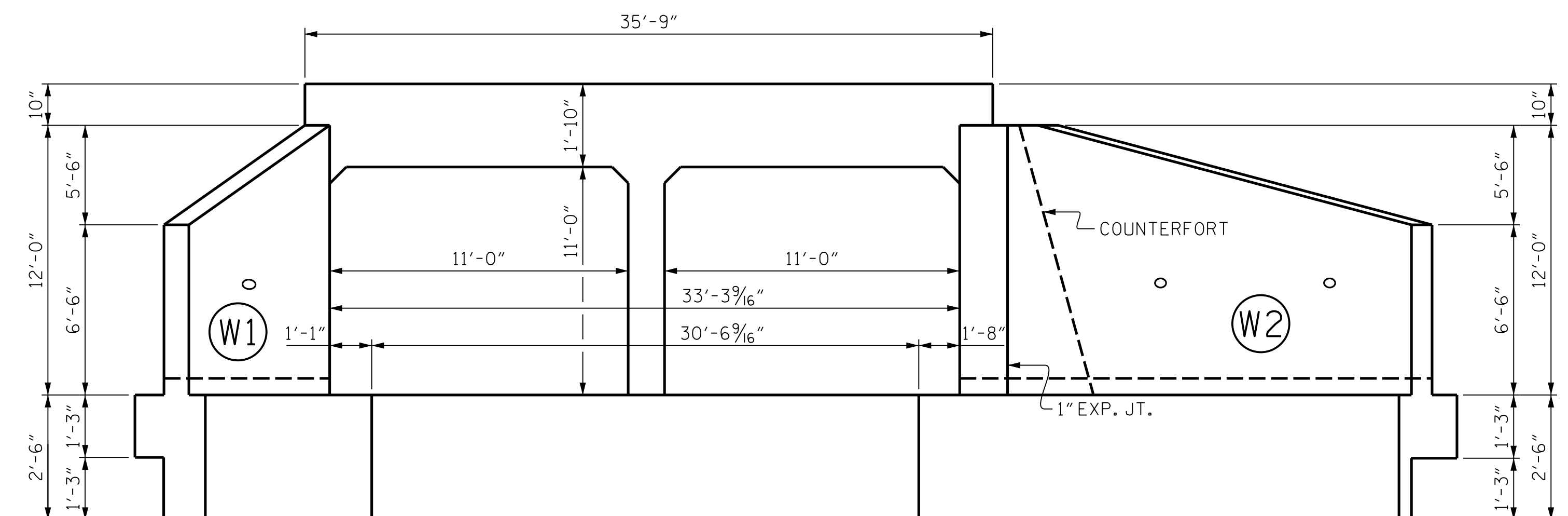


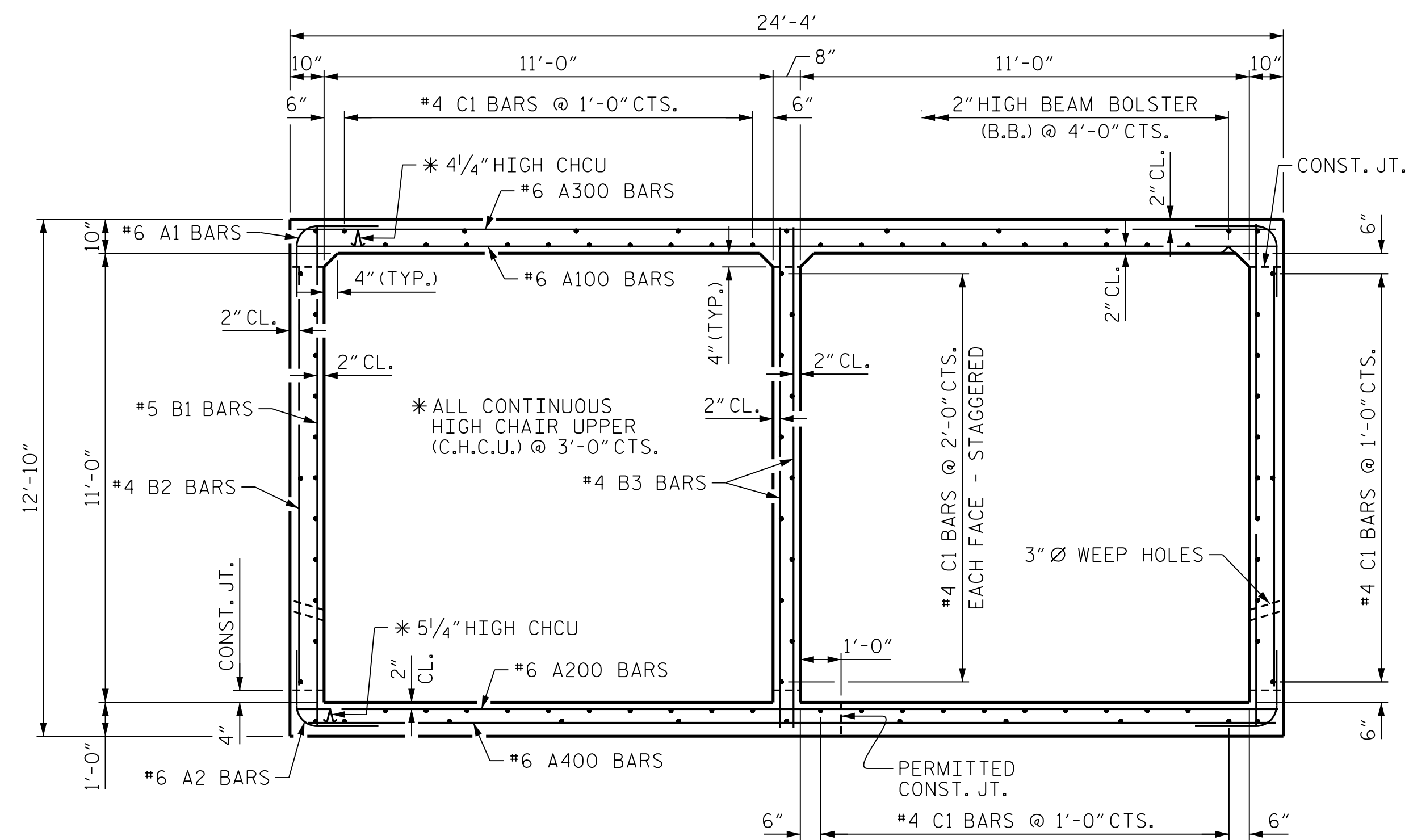
4/11/2023 1:11:37 PM User: blanning  
 Filename: N:\NC Bridges\MI7004\_VHB\_U-5312\Culverts & Walls\U-5312\Structures\410.005.U5312.SMU.CU3.960062.dgn



CULVERT SECTION NORMAL TO ROADWAY

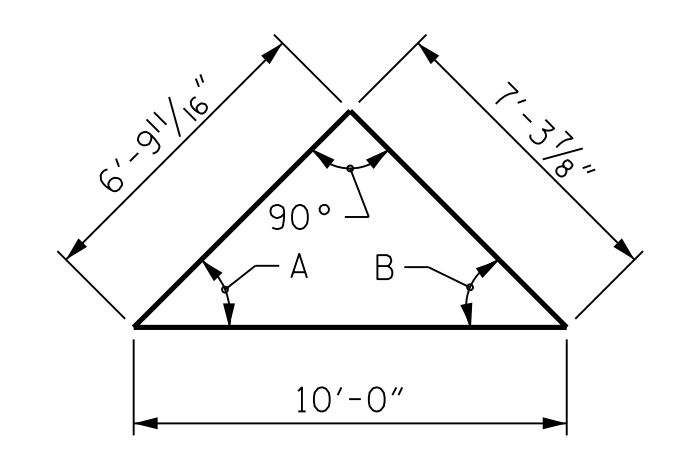


END ELEVATION  
(OUTLET END)



RIGHT ANGLE SECTION OF BARREL

THERE ARE 97 "C" BARS IN SECTION OF BARREL.

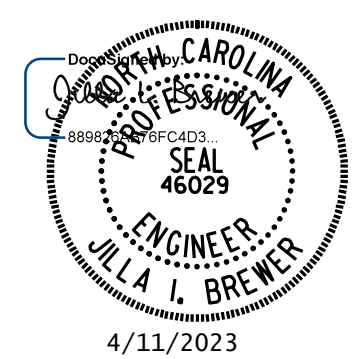


SKEW TRIANGLE

A 47°-06'-00"  
B 42°-54'-00"

PROJECT NO. U-5312  
WILKES COUNTY  
 STATION: 179+42.00 -L-

SHEET 3 OF 8



STATE OF NORTH CAROLINA  
 DEPARTMENT OF TRANSPORTATION  
 RALEIGH

**RIGHT EXTENSION  
 DOUBLE 11 FT. X 11 FT.  
 CONCRETE BOX CULVERT  
 42°-54'-00" SKEW**

**DOCUMENT NOT CONSIDERED FINAL  
 UNLESS ALL SIGNATURES COMPLETED**

MI ENGINEERING  
 1011 SCHAUB DRIVE, SUITE 100  
 RALEIGH, NC 27606  
 (919) 851-6606  
 FIRM PE NUMBER: P-0671

DRAWN BY : B.E. LANNING	DATE : 04/2022
CHECKED BY : J.I. BREWER	DATE : 05/2022
DESIGN ENGINEER OF RECORD : J.I. BREWER	DATE : 09/2022

REVISIONS						SHEET NO.
NO.	BY:	DATE:	NO.	BY:	DATE:	C1-3
1			3			TOTAL SHEETS 8
2			4			