

8/17/99

ROADWAY DESIGN ENGINEER

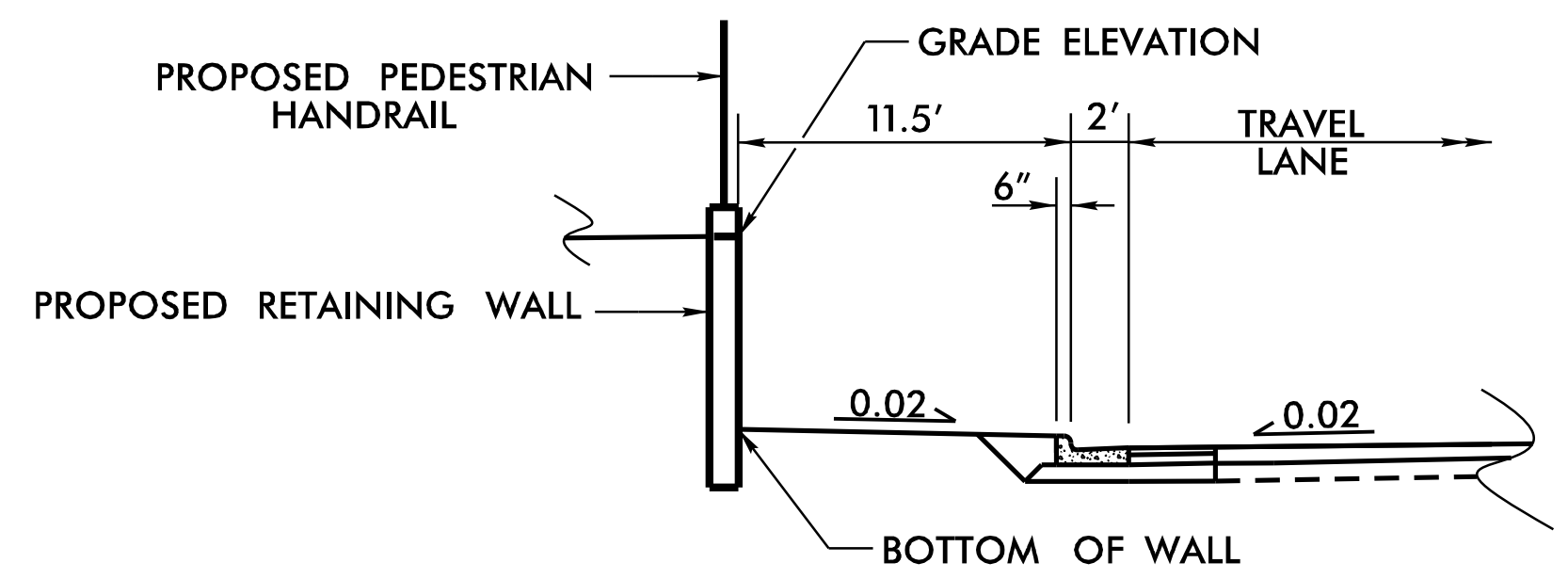
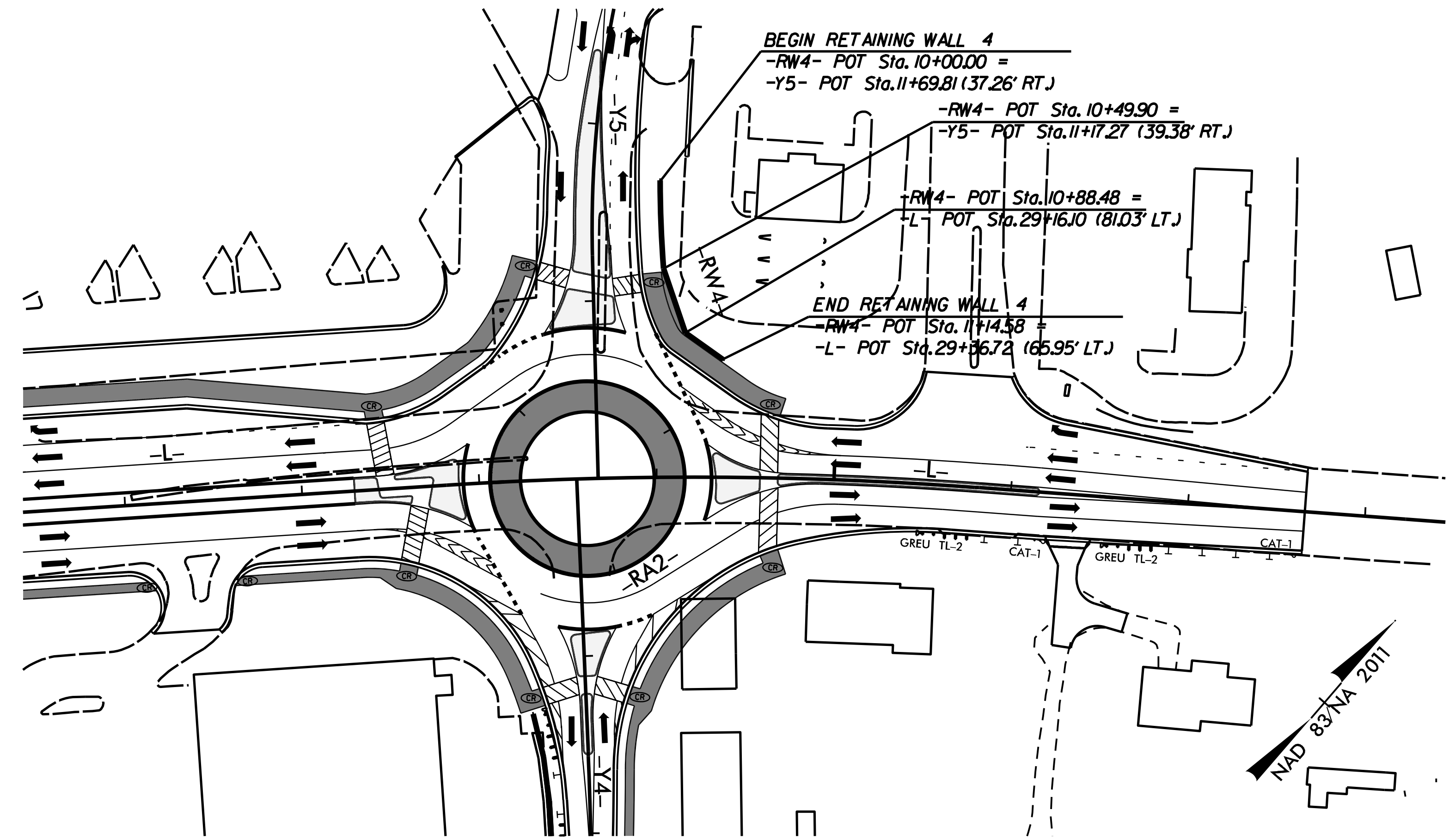
GEOTECHNICAL ENGINEER

DATE

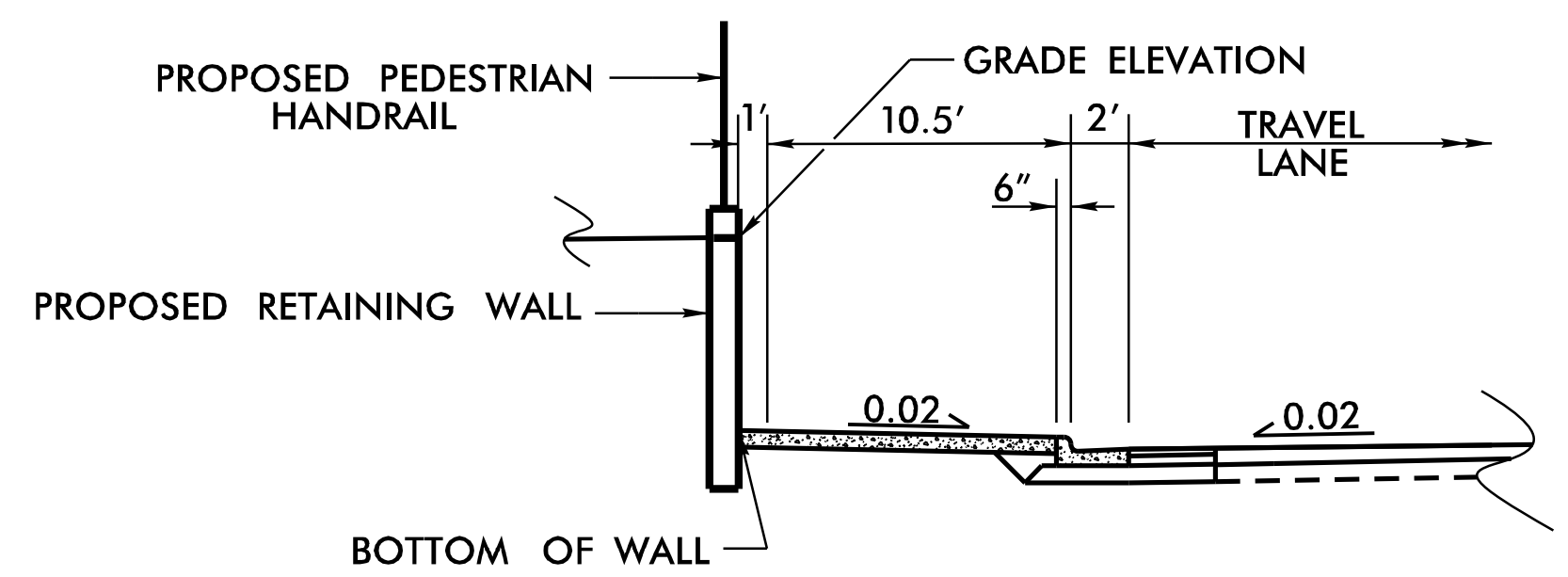
DOCUMENT NOT CONSIDERED FINAL UNLESS ALL SIGNATURES COMPLETED



RETAINING WALL 4 PLAN



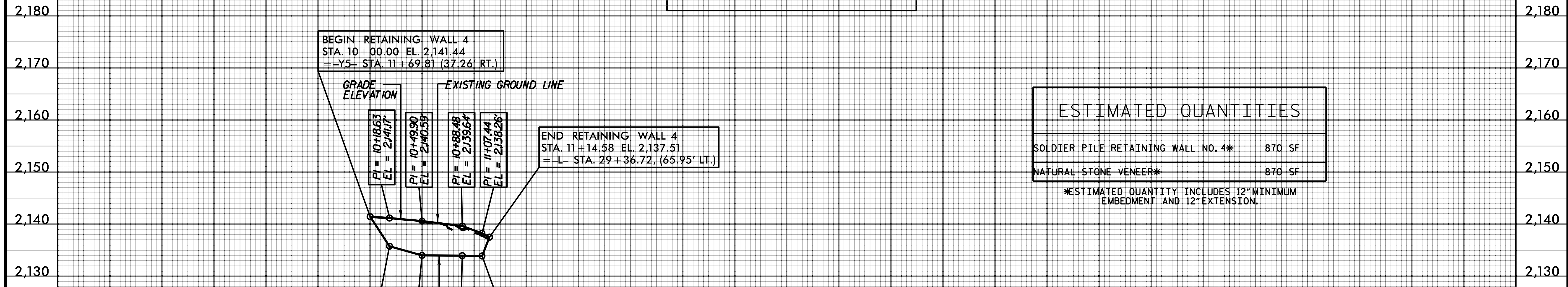
SECTION THROUGH RETAINING WALL
-RW4- STA. 10+00.00 TO -RW4- STA. 10+51.49



SECTION THROUGH RETAINING WALL
-RW4- STA. 10+51.49 TO -RW4- STA. 11+14.58

NOTE: THE WALL ENVELOPE DOES NOT ACCURATELY DEPICT THE ACTUAL FACE OF WALL.

RETAINING WALL 4 ENVELOPE



ESTIMATED QUANTITIES	
SOLDIER PILE RETAINING WALL NO. 4*	870 SF
NATURAL STONE VENEER*	870 SF

*ESTIMATED QUANTITY INCLUDES 12" MINIMUM EMBEDMENT AND 12" EXTENSION.

PROJECT NO.: 44984 (R-5799)

TRANSYLVANIA COUNTY

STATION: 11+69.81 -Y5- TO 29+36.72 -L-

SHEET 1 OF 2

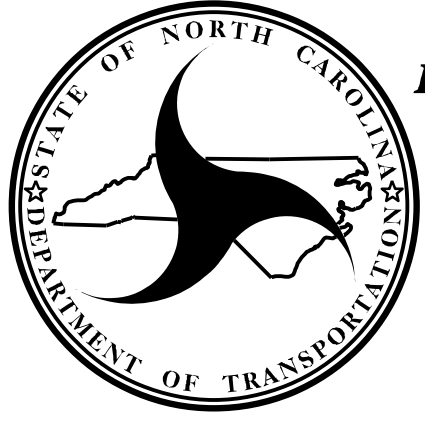
PREPARED BY: G. F. THILL DATE: 10/28/19

REVIEWED BY: M. J. ALEXANDER DATE: 10/28/19

Prepared in the Office of:

Consulting Engineers and Scientists

2701 WESTPORT ROAD
CHARLOTTE, NORTH CAROLINA 28208
NC REGISTERED ENGINEERING FIRM: F-0869
NC REGISTERED GEOLOGIC FIRM: C-367



NORTH CAROLINA
DEPARTMENT OF TRANSPORTATION
DIVISION OF HIGHWAYS

GEOTECHNICAL
ENGINEERING UNIT

REVISIONS						SHEET NO.
NO.	BY	DATE	NO.	BY	DATE	
1	JPM/GFT	6/15/20	3			W-6
2	SWG/EJK	7/14/23	4			

IL:\JUL-2023 09332 F:\Projects\2019\71195004\working Files\CAD\R-5799_Rdy_psh_retwall_4.dgn