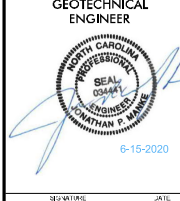


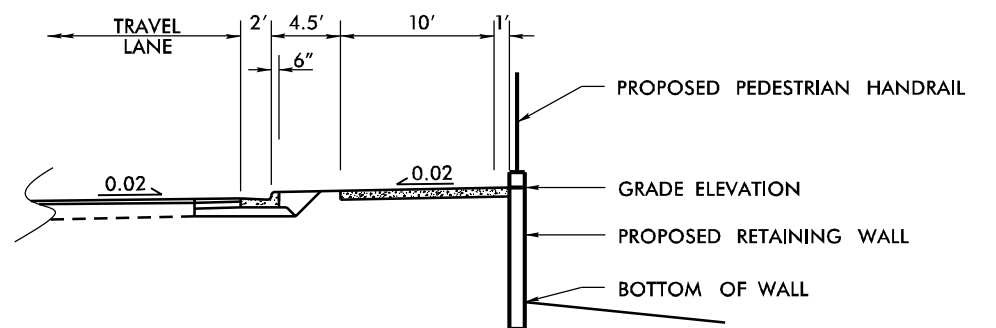
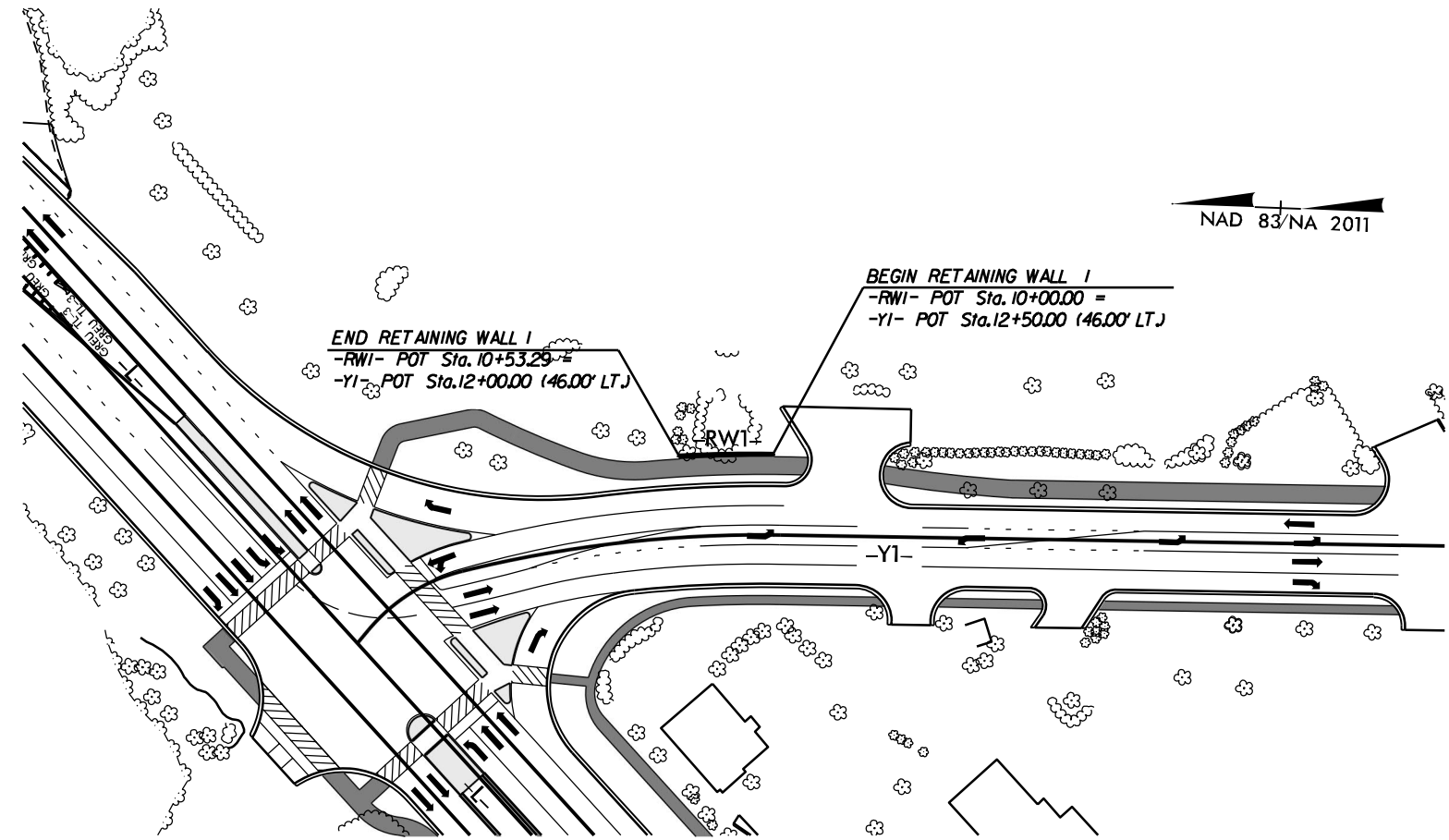
8/17/99

IS: JUN-2020 17:46 1671195004 \R5799\_RWAL\_NC00T\_File\_Structure\R5799\_GEO\_RWAL\_1\CADD\_GEO\TECH\Site&Sub\VR-5799\_Rdy\_psh\_retwall\_1.dgn  
N:\Projects\2016\71195004\XFE-71023641

# RETAINING WALL 1 PLAN

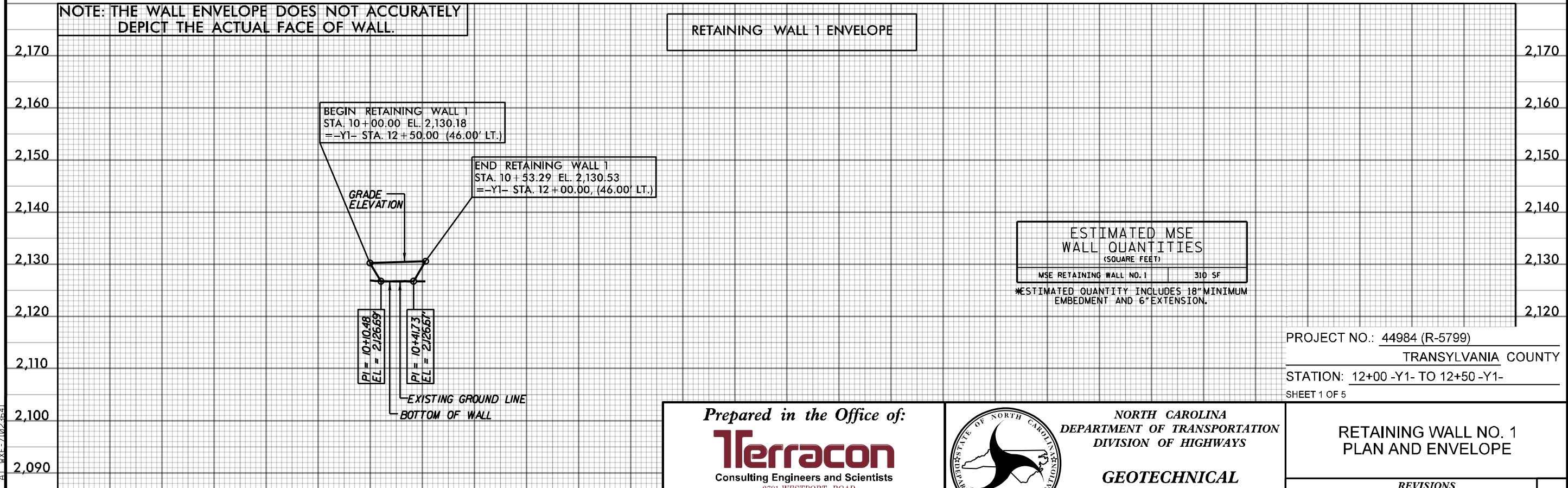
ROADWAY DESIGN ENGINEER	GEOTECHNICAL ENGINEER  MATTHEW P. HANE 6-15-2020
-------------------------	---

DOCUMENT NOT CONSIDERED FINAL UNLESS ALL SIGNATURES COMPLETED



SECTION THROUGH RETAINING WALL  
-RW1- STA. 10+00.00 TO -RW1- STA. 10+53.29

NOTE: THE WALL ENVELOPE DOES NOT ACCURATELY DEPICT THE ACTUAL FACE OF WALL.



ESTIMATED MSE WALL QUANTITIES (SQUARE FEET)	
MSE RETAINING WALL NO. 1	310 SF

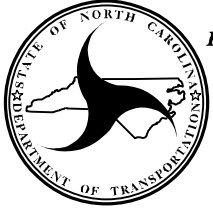
\*ESTIMATED QUANTITY INCLUDES 18" MINIMUM EMBEDMENT AND 6" EXTENSION.

PROJECT NO.: 44984 (R-5799)  
 TRANSYLVANIA COUNTY  
 STATION: 12+00 -Y1- TO 12+50 -Y1-  
 SHEET 1 OF 5

PREPARED BY: G. F. THILL DATE: 10/28/19  
 REVIEWED BY: M. J. ALEXANDER DATE: 10/28/19

10 11

Prepared in the Office of:  
**Terracon**  
 Consulting Engineers and Scientists  
 2701 WESTPORT ROAD  
 CHARLOTTE, NORTH CAROLINA 28208  
 NC REGISTERED ENGINEERING FIRM: F-0869  
 NC REGISTERED GEOLOGIC FIRM: C-367



NORTH CAROLINA  
 DEPARTMENT OF TRANSPORTATION  
 DIVISION OF HIGHWAYS  
**GEOTECHNICAL  
 ENGINEERING UNIT**

REVISIONS					
NO.	BY	DATE	NO.	BY	DATE
1	JPM/GFT	6/15/20	3		
2			4		

RETAINING WALL NO. 1  
 PLAN AND ENVELOPE

SHEET NO. W-1