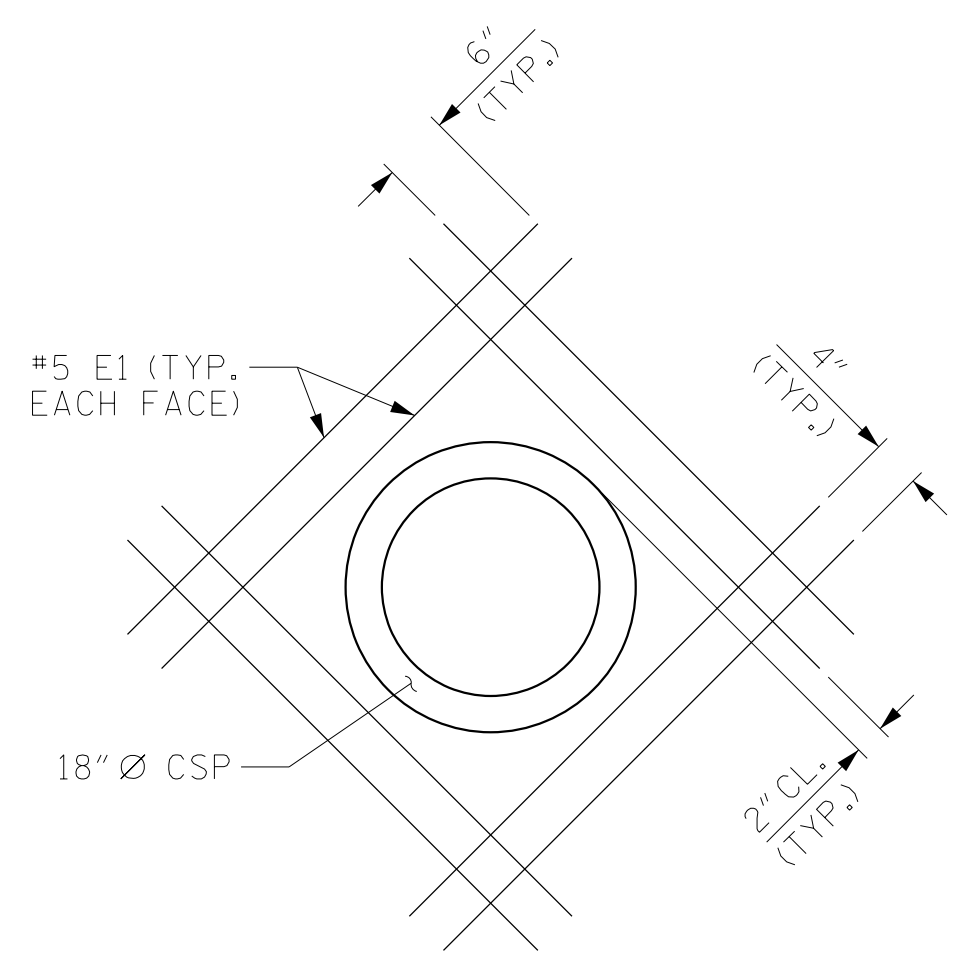
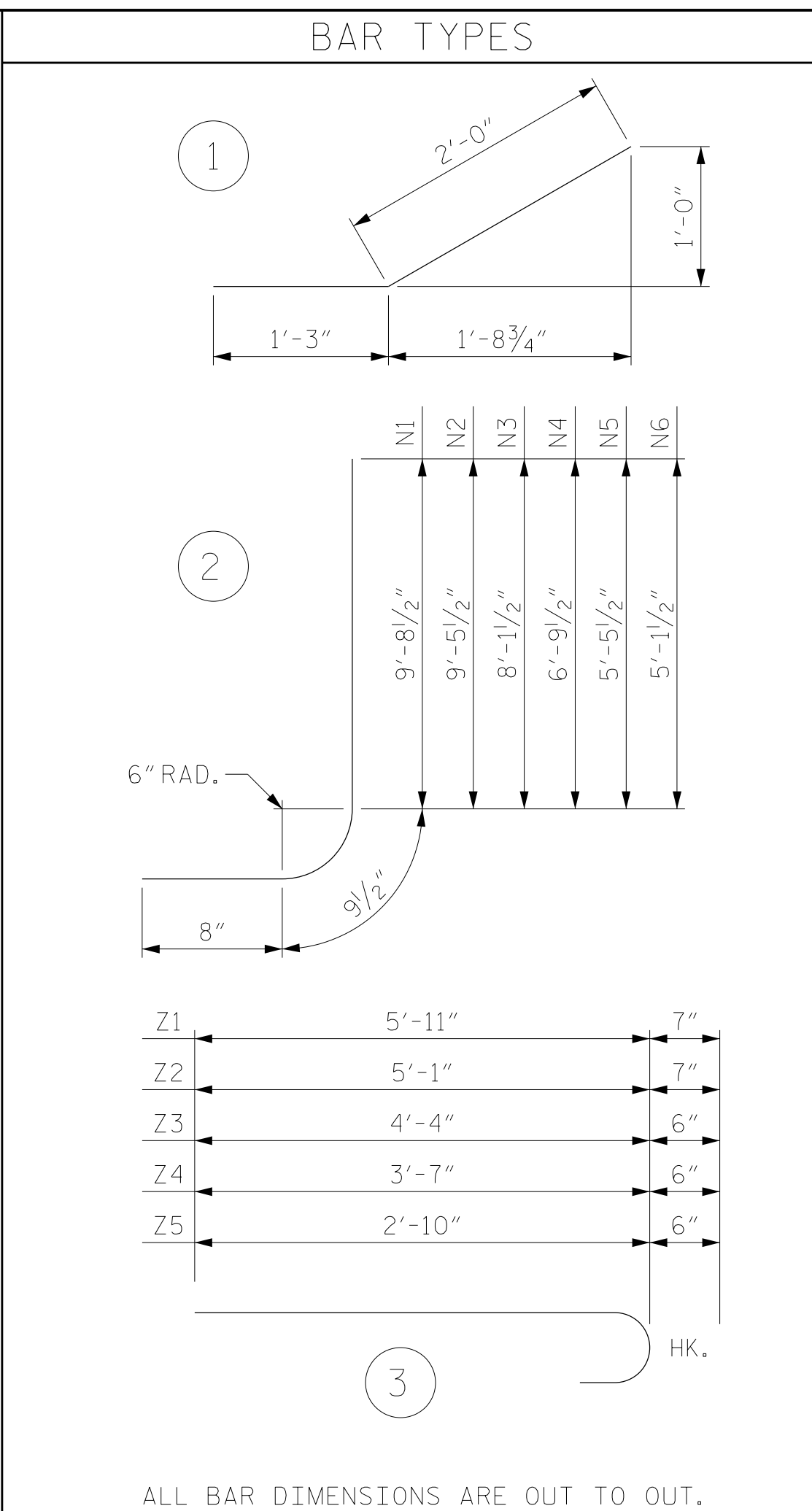


PLAN



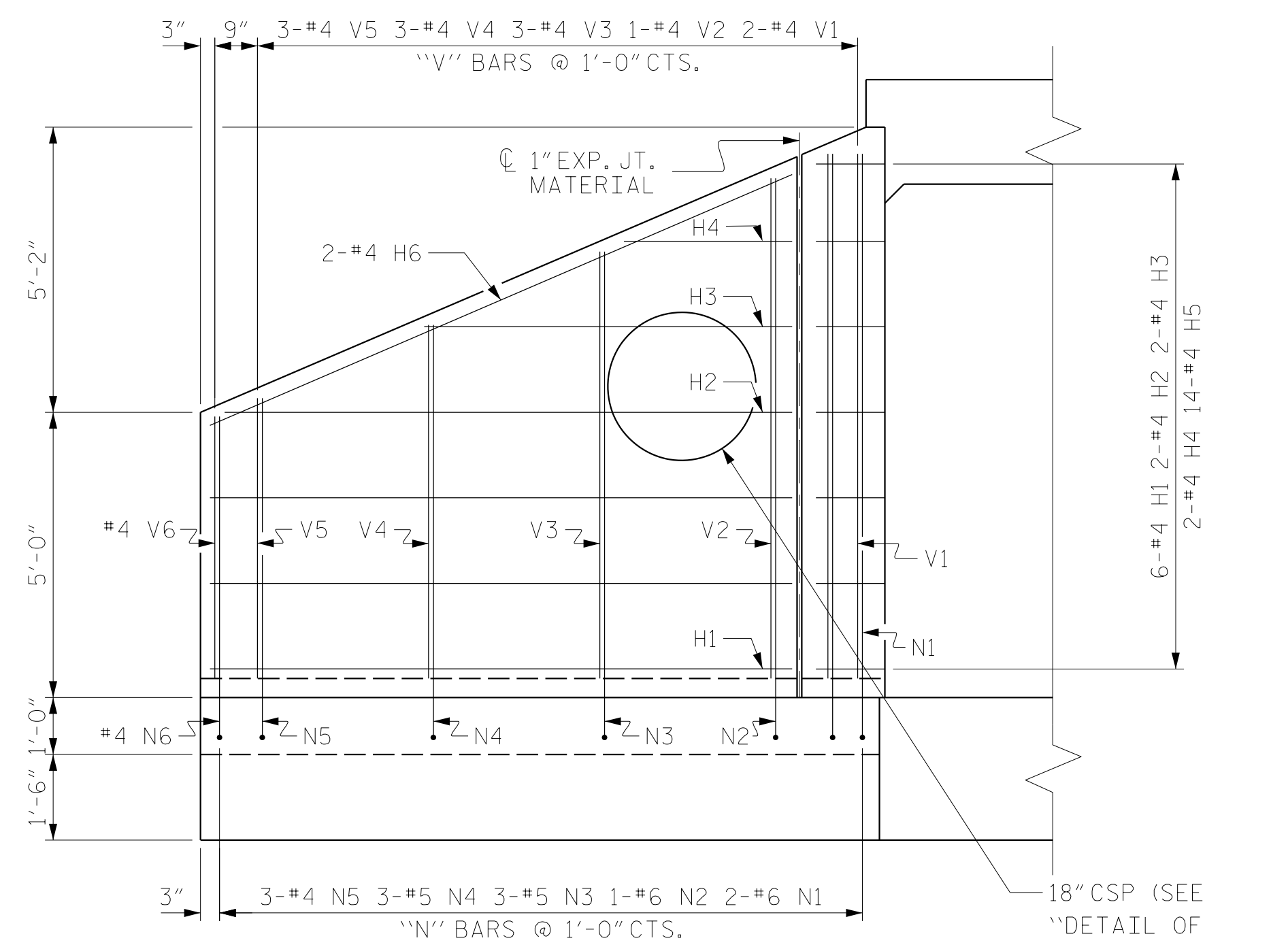
DETAIL OF REINFORCING AROUND 18" Ø PIPE



ALL BAR DIMENSIONS ARE OUT TO OUT.

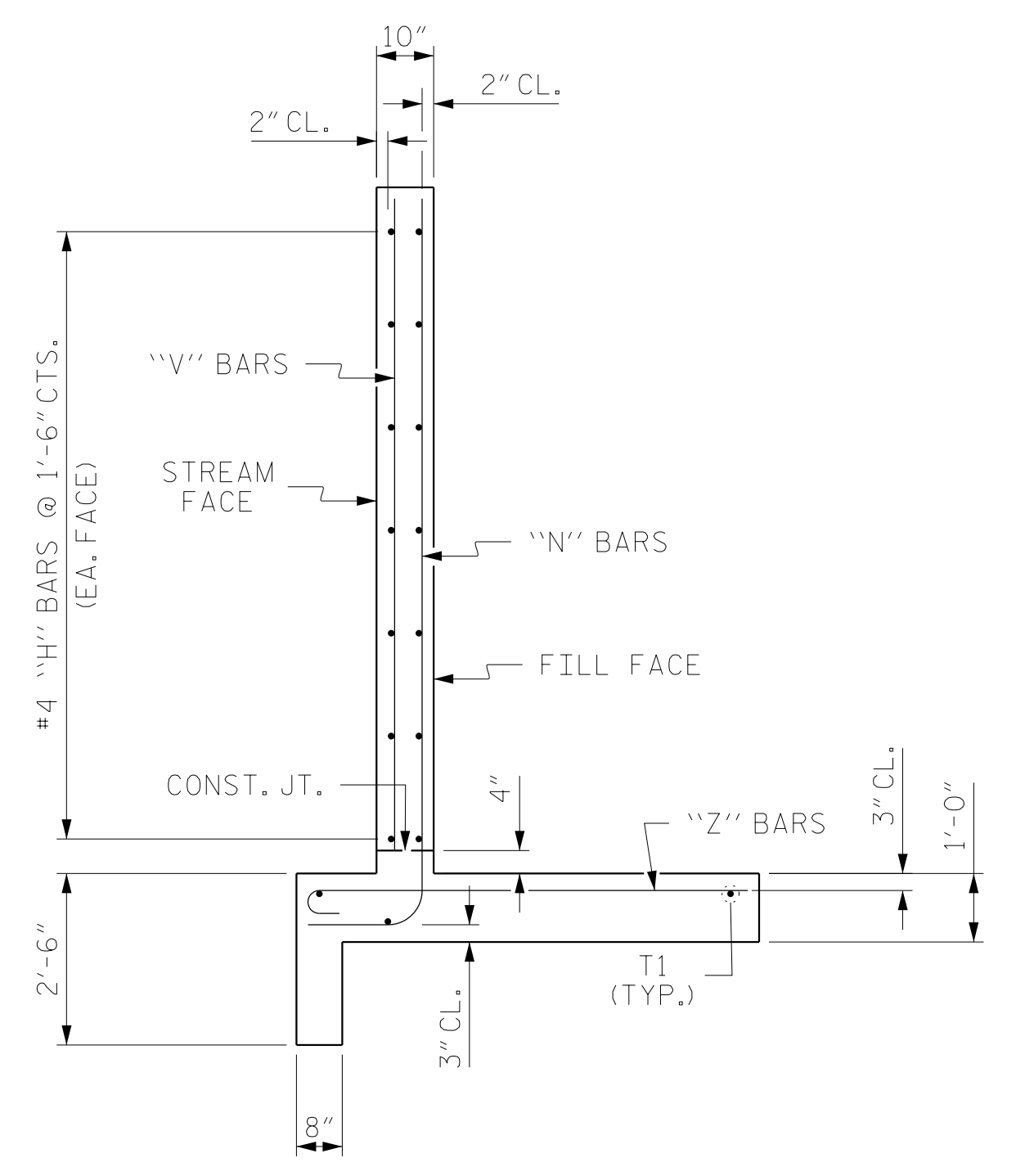
STAGE I BILL OF MATERIAL						STAGE II BILL OF MATERIAL					
BAR	NO.	SIZE	TYPE	LENGTH	WEIGHT	BAR	NO.	SIZE	TYPE	LENGTH	WEIGHT
H1	6	4	STR.	10'-2"	41	E1	16	5	STR.	4'-0"	67
H2	2	4	STR.	9'-10"	13	H1	6	4	STR.	10'-2"	41
H3	2	4	STR.	6'-5"	9	H2	2	4	STR.	9'-10"	13
H4	2	4	STR.	2'-11"	4	H3	2	4	STR.	6'-5"	9
H5	14	4	1	3'-3"	30	H4	2	4	STR.	2'-11"	4
H6	2	4	STR.	11'-1"	15	H5	14	4	1	3'-3"	30
N1	2	6	2	11'-2"	34	H6	2	4	STR.	11'-1"	15
N2	1	6	2	10'-11"	16	N1	2	6	2	11'-2"	34
N3	3	5	2	9'-7"	30	N2	1	6	2	10'-11"	16
N4	3	5	2	8'-3"	26	N3	3	5	2	9'-7"	30
N5	3	4	2	6'-11"	14	N4	3	5	2	8'-3"	26
N6	1	4	2	6'-7"	4	N5	3	4	2	6'-11"	14
S1	3	6	STR.	6'-0"	27	N6	1	4	2	6'-7"	4
T1	3	5	STR.	11'-11"	37	S1	3	6	STR.	6'-0"	27
V1	2	4	STR.	9'-2"	12	T1	3	5	STR.	11'-11"	37
V2	1	4	STR.	8'-10"	6	V1	2	4	STR.	9'-2"	12
V3	3	4	STR.	7'-7"	15	V2	1	4	STR.	8'-10"	6
V4	3	4	STR.	6'-3"	13	V3	3	4	STR.	7'-7"	15
V5	3	4	STR.	4'-11"	10	V4	3	4	STR.	6'-3"	13
V6	1	4	STR.	4'-7"	3	V5	3	4	STR.	4'-11"	10
Z1	3	5	3	6'-6"	20	V6	1	4	STR.	4'-7"	3
Z2	3	5	3	5'-8"	18	Z1	3	5	3	6'-6"	20
Z3	3	4	3	4'-10"	10	Z2	3	5	3	5'-8"	18
Z4	3	4	3	4'-1"	8	Z3	3	4	3	4'-10"	10
Z5	1	4	3	3'-4"	2	Z4	3	4	3	4'-1"	8
						Z5	1	4	3	3'-4"	2
REINFORCING STEEL FOR 1 WING (W4)						REINFORCING STEEL FOR 1 WING (W3)					
417 LBS						484 LBS					
CLASS A CONCRETE						CLASS A CONCRETE					
1 WING						1 WING					
1 END CURTAIN WALL						1 HEADWALL					
TOTAL 7.8 CY						1 END CURTAIN WALL					
						TOTAL 9.3 CY					

NOTE:
WING 3 SHOWN, WING 4 SIMILAR.



ELEVATION

NOTE: FOR PIPE THROUGH W3, FIELD CUT AND BEND BARS AS NEEDED TO CLEAR PIPE



TYPICAL WING SECTION

PROJECT NO. R-5799
TRANSYLVANIA COUNTY
STATION: 17+47.31 -Y2-

SHEET 9 OF 10



STATE OF NORTH CAROLINA
DEPARTMENT OF TRANSPORTATION
RALEIGH

OUTLET WINGS (W3 & W4) FOR CONCRETE BOX CULVERT

H = 9'-0" SLOPE = 2:1
90° SKEW

DRAWN BY : TWL	DATE : 08/2020
CHECKED BY : MAL	DATE : 08/2020
DESIGN ENGINEER OF RECORD: MRA	DATE : 04/2023

DOCUMENT NOT CONSIDERED FINAL UNLESS ALL SIGNATURES COMPLETED

REVISIONS						SHEET NO.
NO.	BY:	DATE:	NO.	BY:	DATE:	C-9
1			3			TOTAL SHEETS
2			4			10