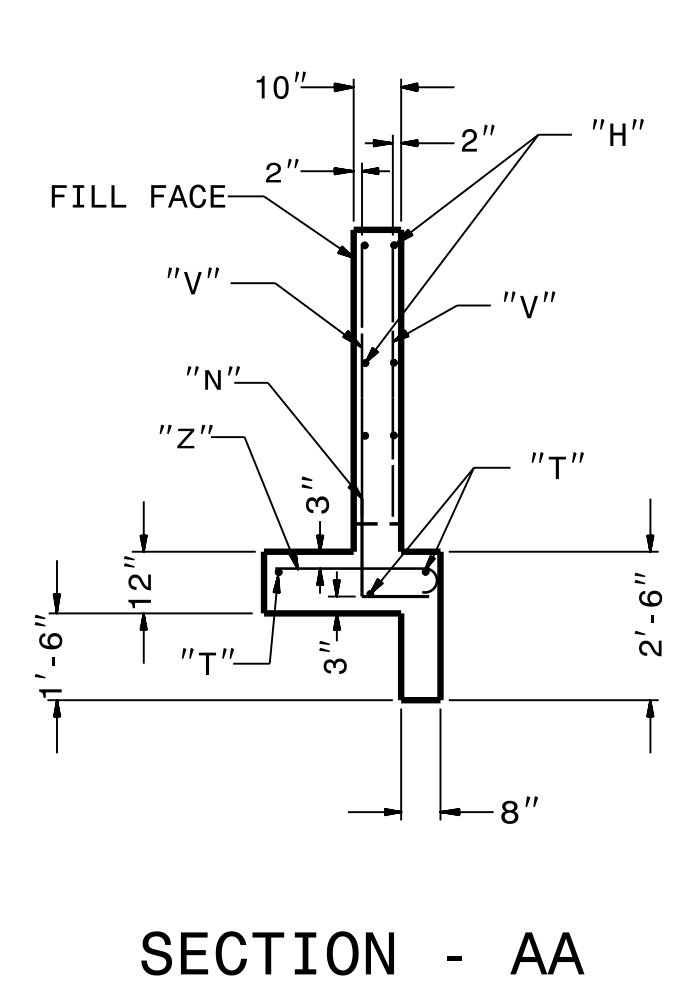
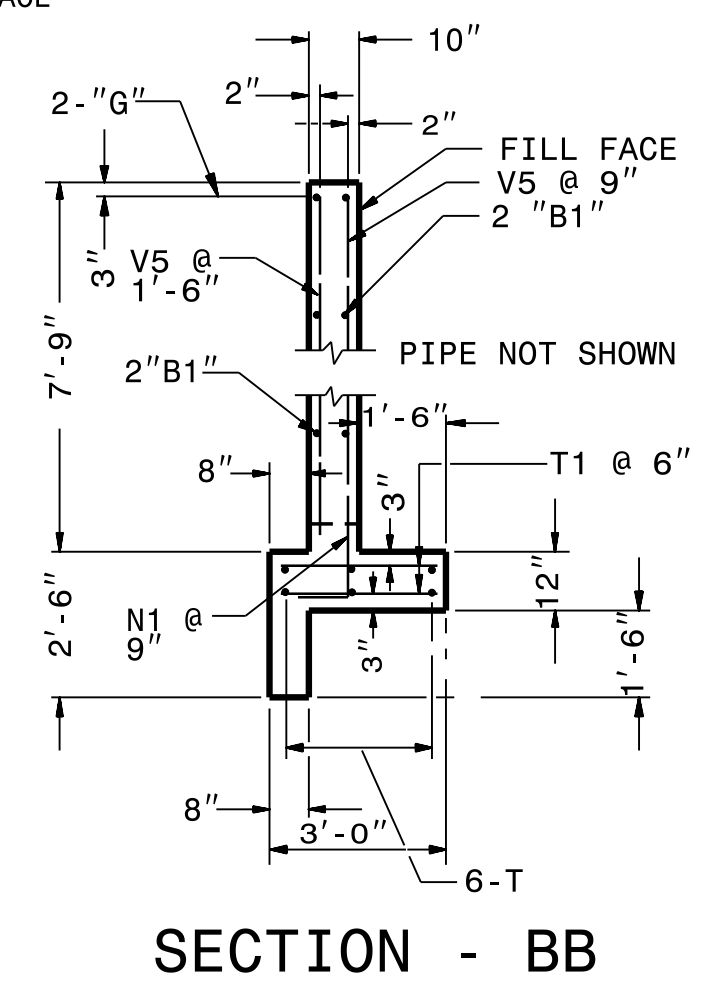
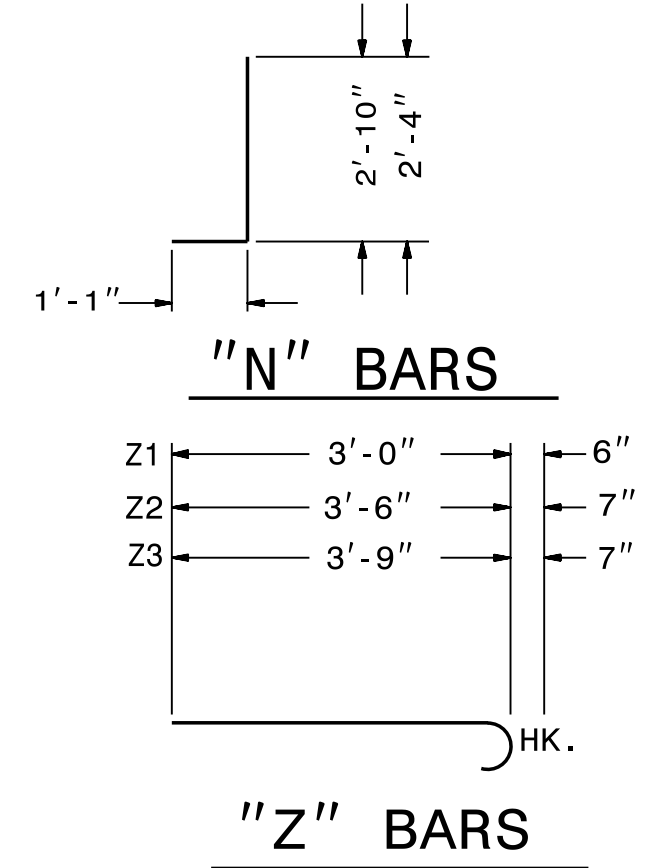
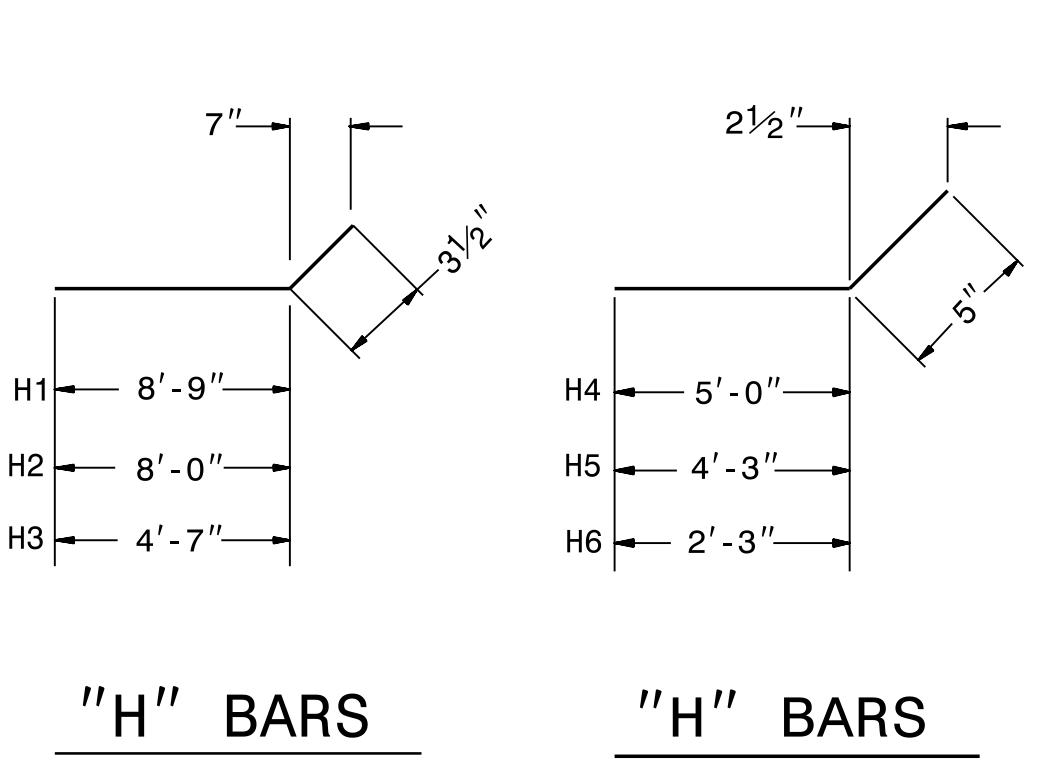
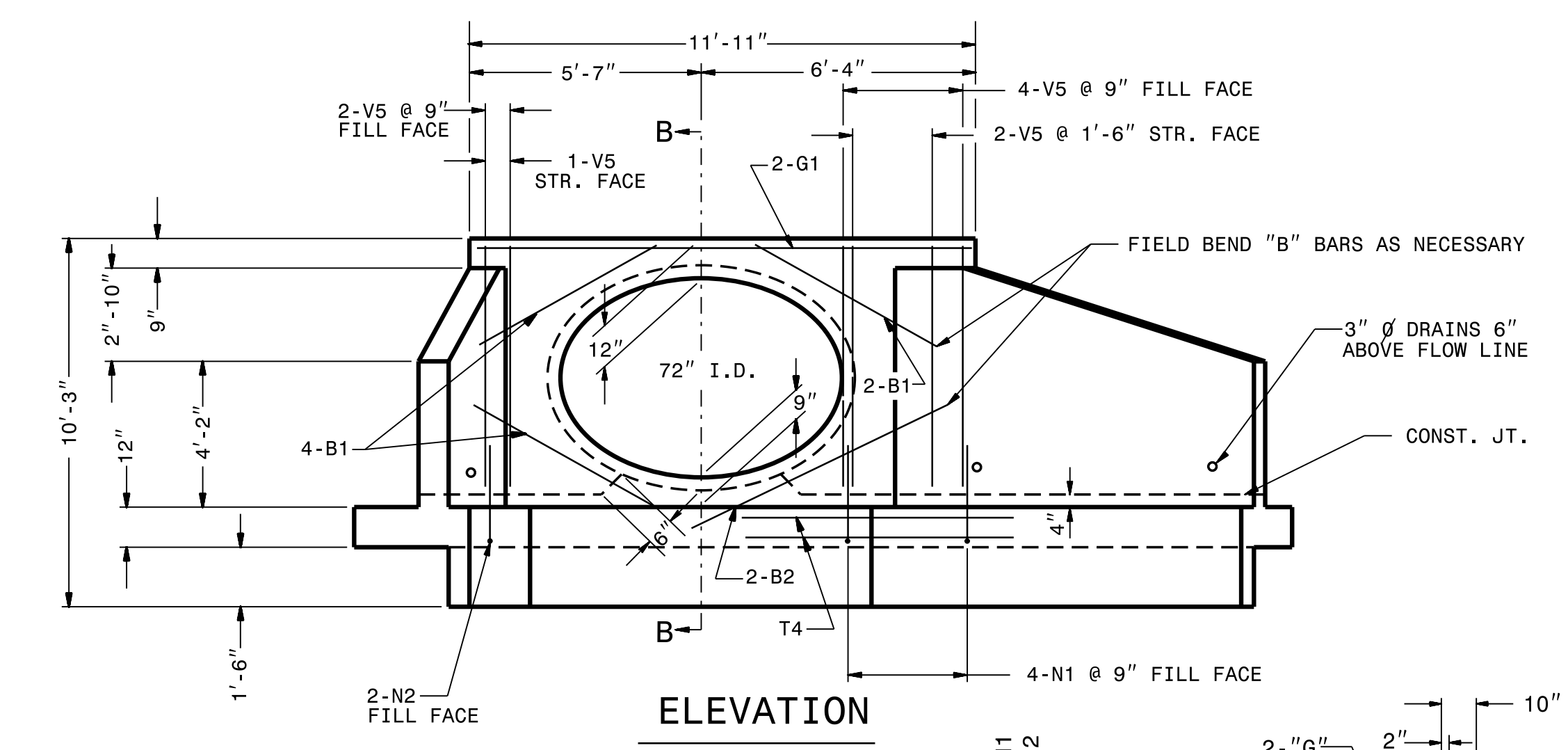
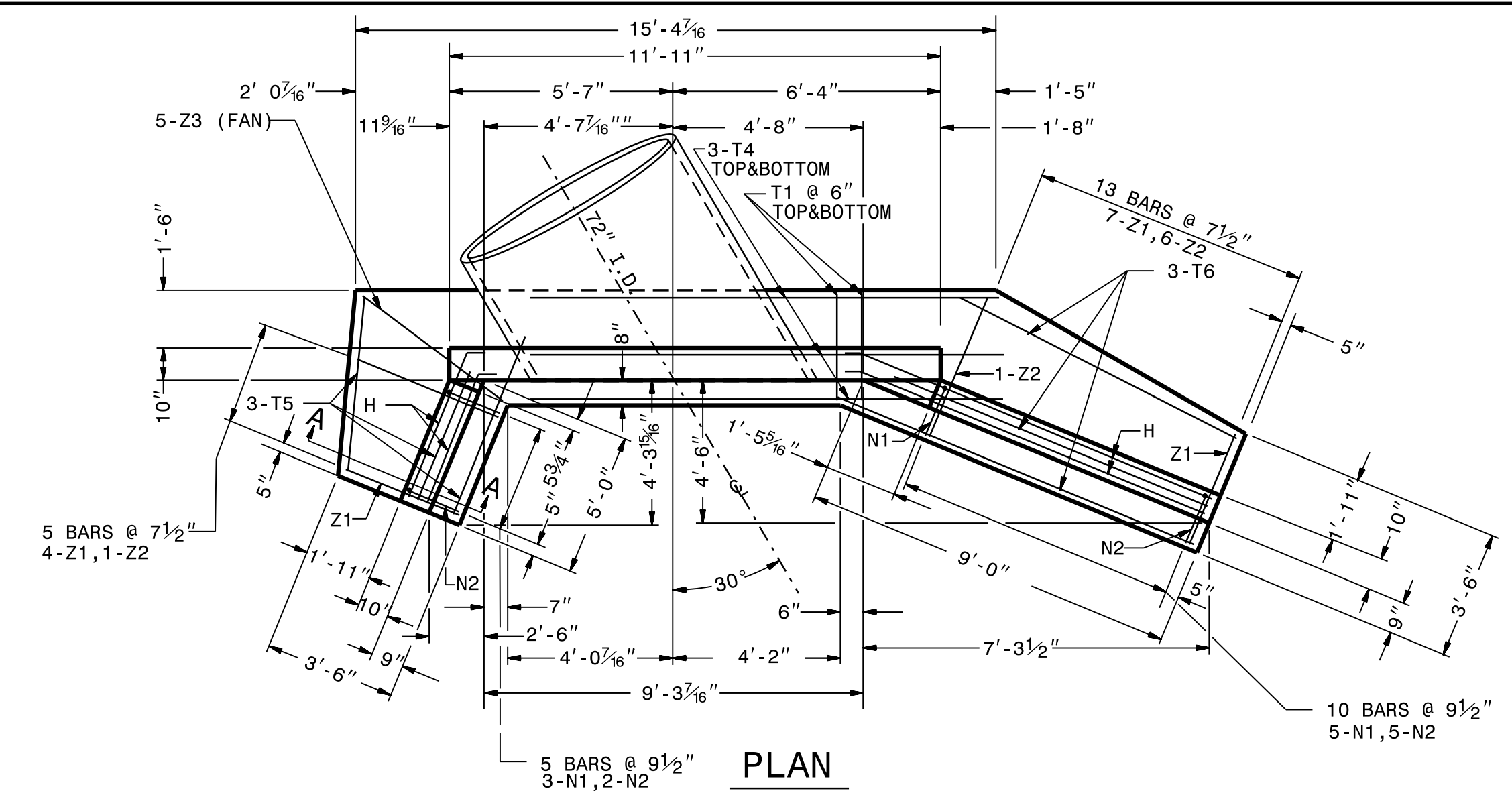


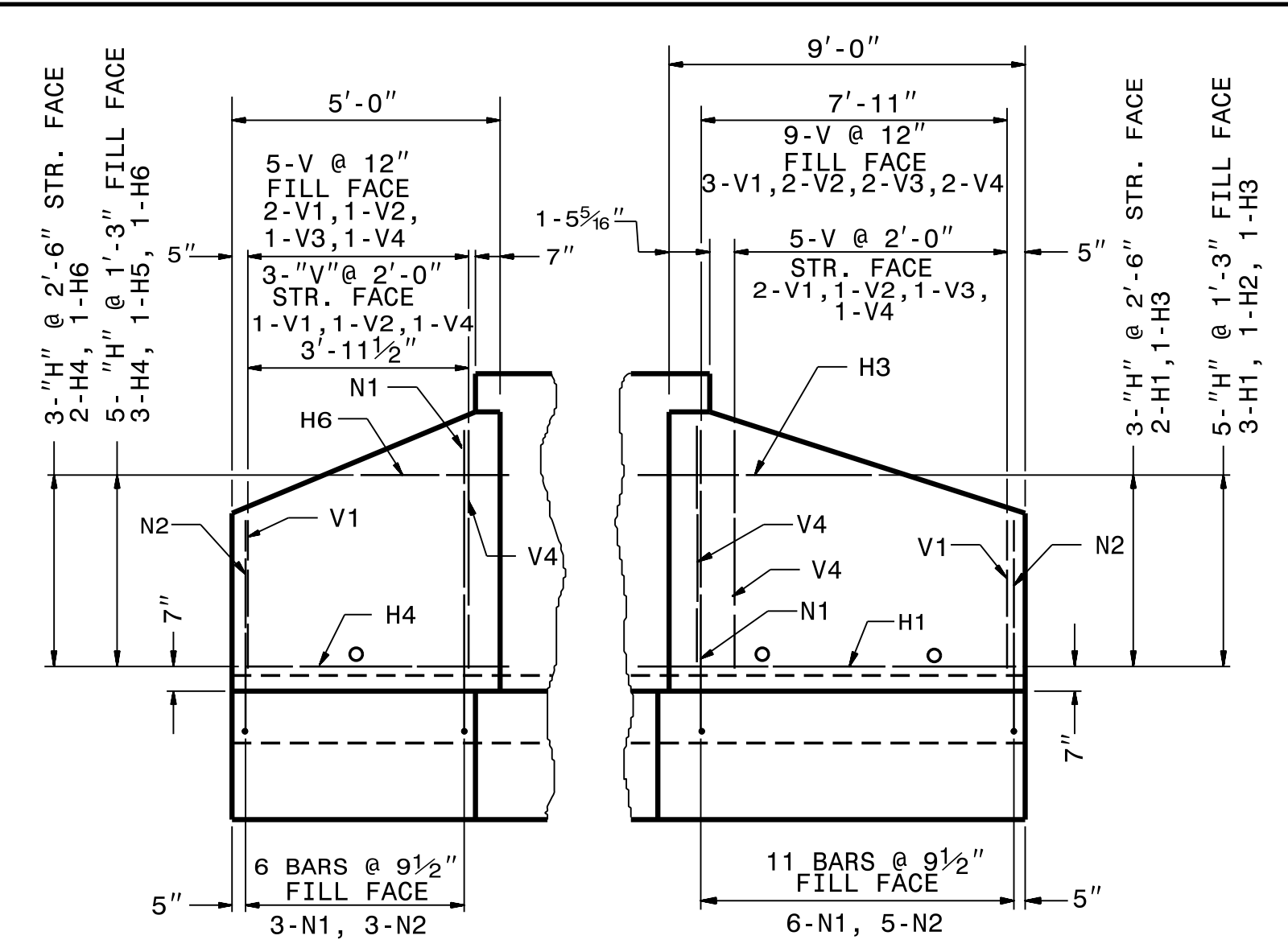
STATE OF NORTH CAROLINA DEPT. OF TRANSPORTATION DIVISION OF HIGHWAYS RALEIGH, N.C.

ENGLISH DETAIL DRAWING FOR REINFORCED CONCRETE ENDWALL FOR SINGLE 72" PIPE 60° OR 120° SKEW

SHEET 1 OF 1 838D41



NOTES: ALL CONCRETE TO BE CLASS "A". ALL REINFORCING STEEL TO BE ASTMA615-GRADE 60. ALL REINFORCING STEEL TO BE DEFORMED BARS. WHERE SPLICING OF REINFORCEMENT IS NECESSARY, BARS ARE TO BE LAPPED 45 DIAMETERS. ALL DIMENSIONS RELATIVE TO REINFORCEMENT ARE TO CENTERS OF BARS. THE FOOTING, CURTAIN WALL AND 4" OF WALL ARE TO BE POURED IN ONE OPERATION ALLOWING NO TIME FOR INITIAL SET TO TAKE PLACE BETWEEN THEM. THE REMAINING WALL SHALL THEN BE POURED IN ONE OPERATION. ALL EXPOSED CORNERS ARE TO BE CHAMFERED 1". 3" DIAMETER DRAINS TO BE PLACED IN WALL AS SHOWN AND BE 6" ABOVE NORMAL FLOW LINE. ALL MATERIAL AND WORKMANSHIP AS PER N.C. DEPARTMENT OF TRANSPORTATION STANDARD SPECIFICATIONS.



WING ELEVATION

Table with 4 columns: BAR, SIZE, LENGTH, NO., WEIGHT. Includes a sub-table 'BILL OF MATERIAL FOR ENDWALL' and 'REINFORCING STEEL' details.

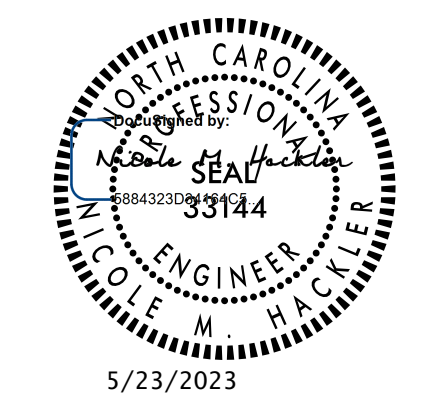
DRAWING NOT TO SCALE

STATE OF NORTH CAROLINA DEPT. OF TRANSPORTATION DIVISION OF HIGHWAYS RALEIGH, N.C.

ENGLISH DETAIL DRAWING FOR REINFORCED CONCRETE ENDWALL FOR SINGLE 72" PIPE 60° OR 120° SKEW

SHEET 1 OF 1 838D41

05-MAY-2023 02:10 S:\Contracts\Special_Details\english\hydro\endwalls.dgn



CONTRACT STANDARDS & DEVELOPMENT UNIT STANDARDS AND SPECIAL DESIGN Office 919-707-6950 FAX 919-250-4119 DETAIL OF REINFORCED CONCRETE ENDWALL FOR SINGLE 72" DIAMETER PIPE - 60° SKEW ORIGINAL BY: rnbritt DATE: 06-23-10 MODIFIED BY: rnbritt DATE: 06-23-10 CHECKED BY: DATE: FILE SPEC.: details/rnbritt/english/hydro/72endwall1_60sk.dgn

DOCUMENT NOT CONSIDERED FINAL UNLESS ALL SIGNATURES COMPLETED