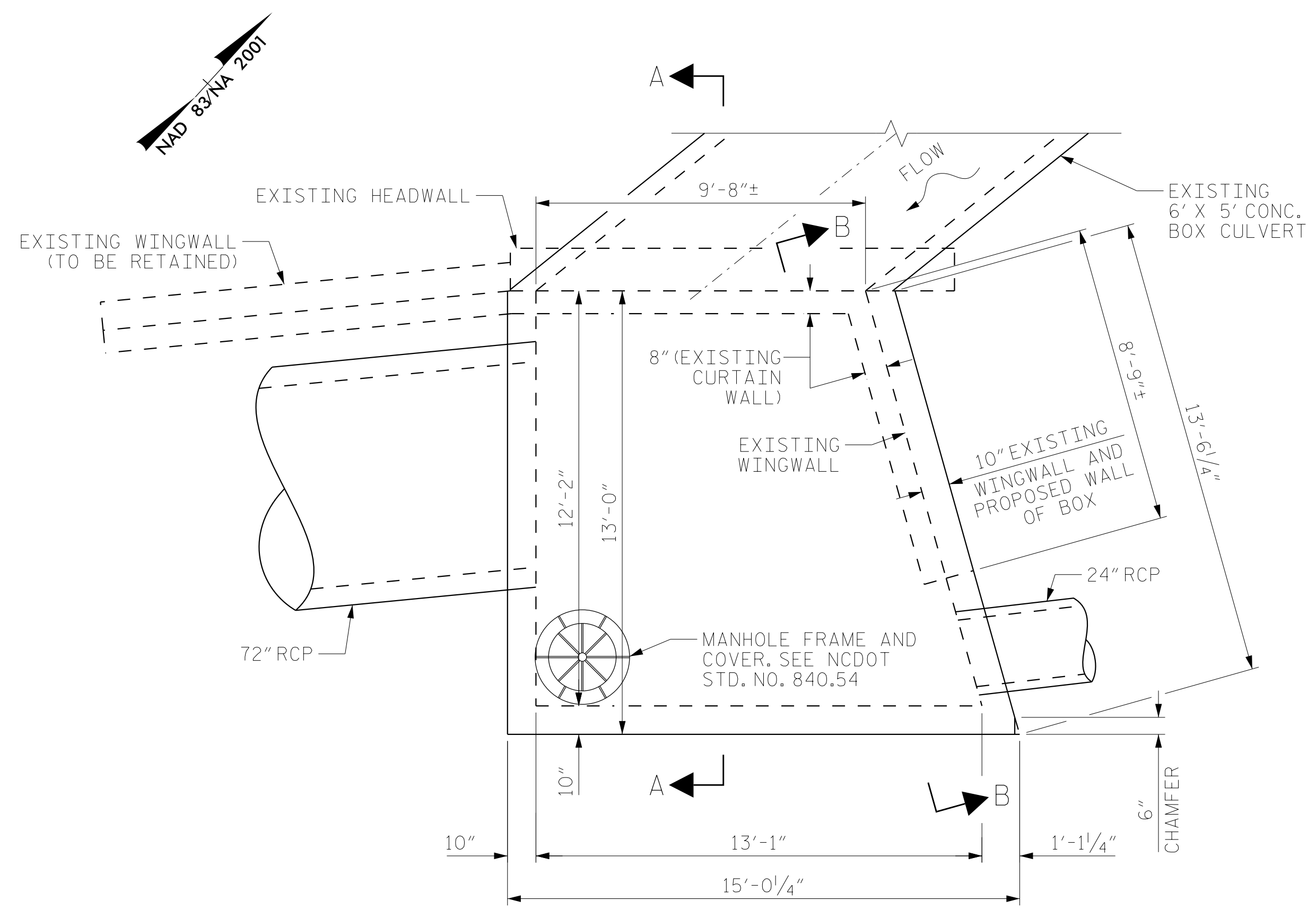
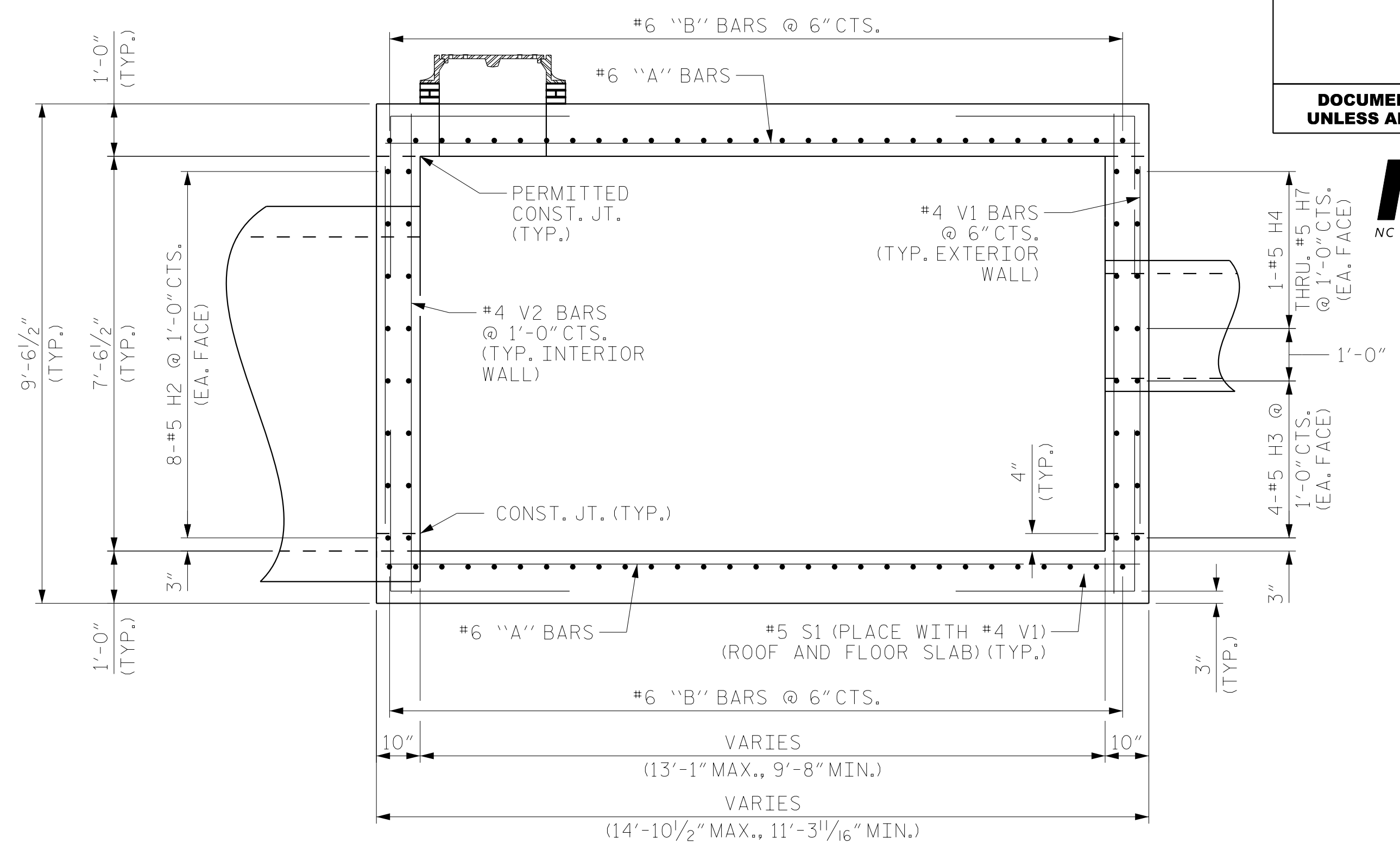




NOTE:
FOR PLAN OF FLOOR SLAB, PLAN OF ROOF SLAB,
AND ADDITIONAL NOTES, SEE SHEET 2D-2.

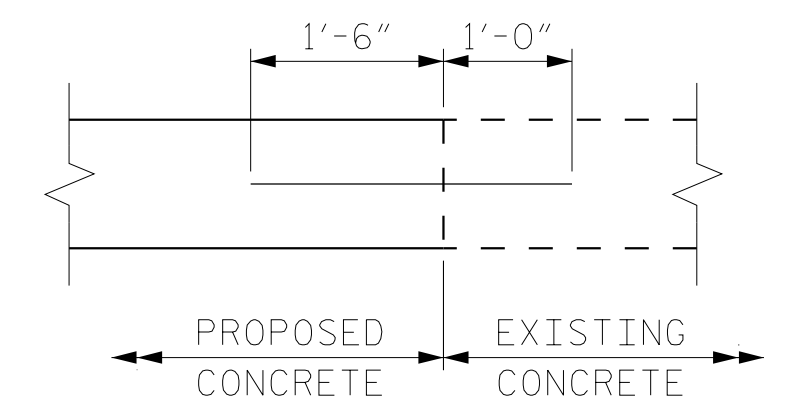


PLAN VIEW - 0528

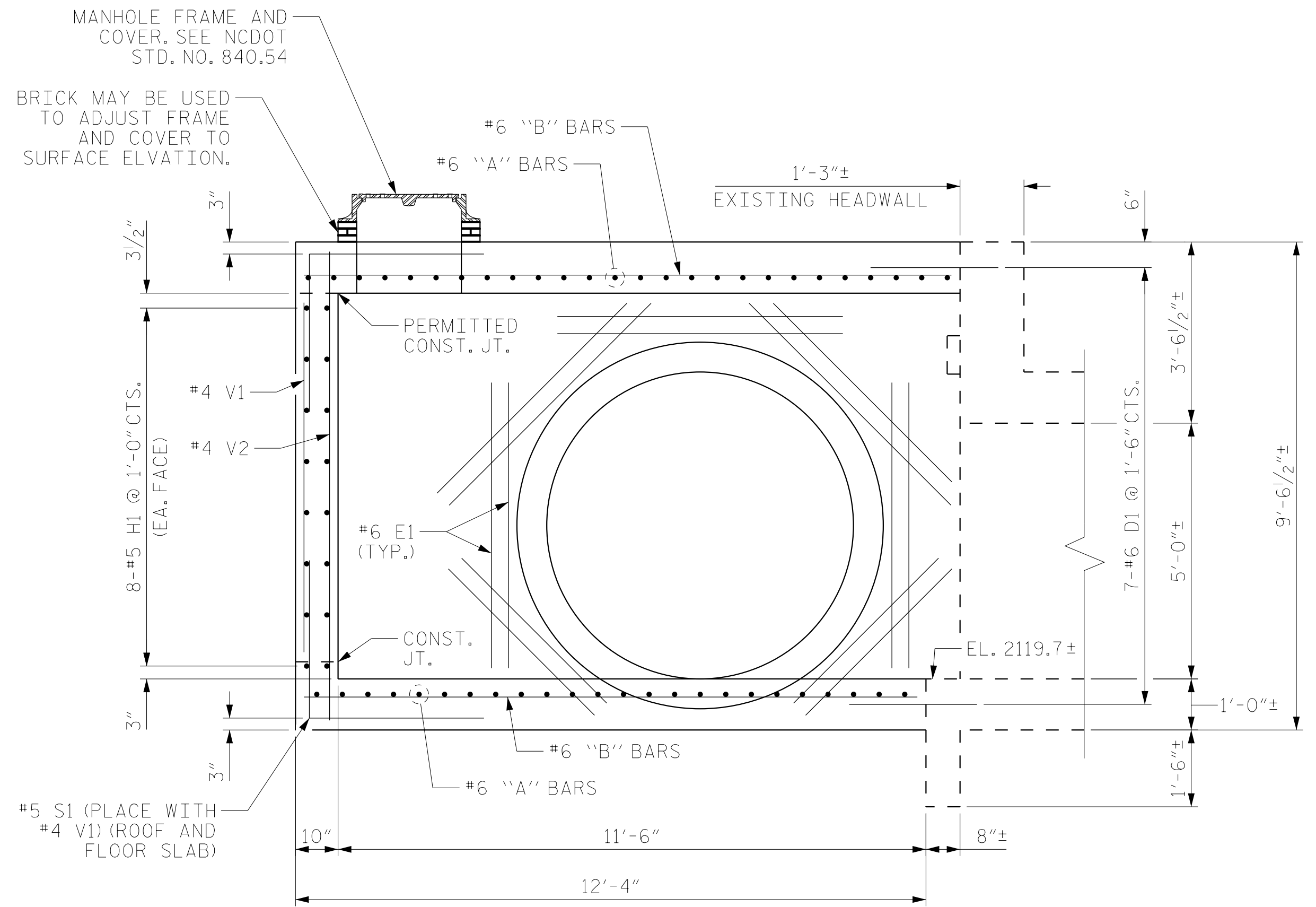


SECTION THROUGH BOX

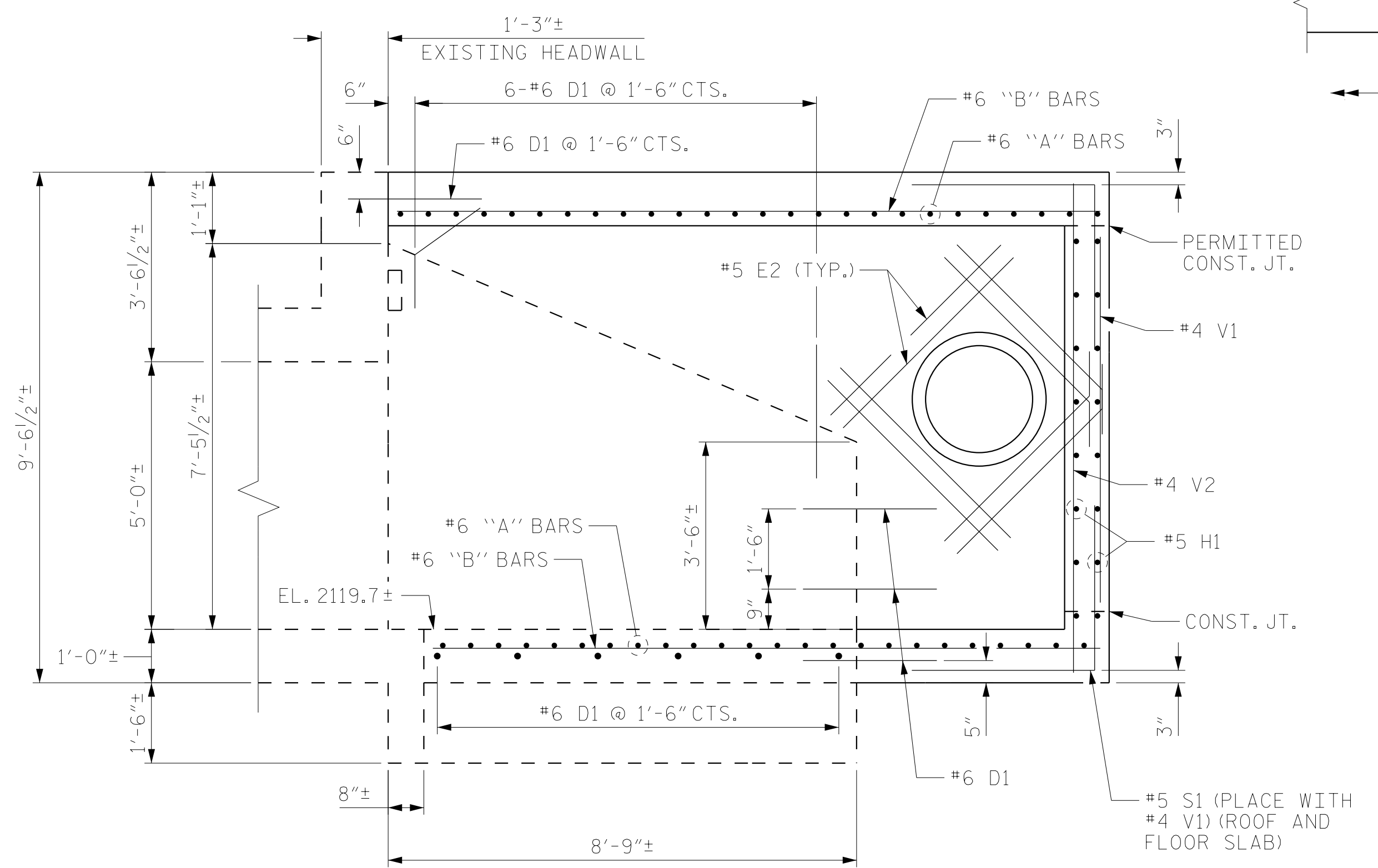
LOOKING UPSTREAM AT THE OPENING OF THE EXISTING RCBC



DOWEL DETAIL



SECTION A-A



SECTION B-B

6/13/2023 X:\P\1030049021.R-5799_US 64-276 Intersection Design\Design\Roadway\Proj\Junction Box\0528\2D-1.dgn

DRAWN BY : NSC DATE : 10/2020
 CHECKED BY : MAL DATE : 10/2020
 DESIGN ENGINEER OF RECORD: MAL DATE : 10/2020