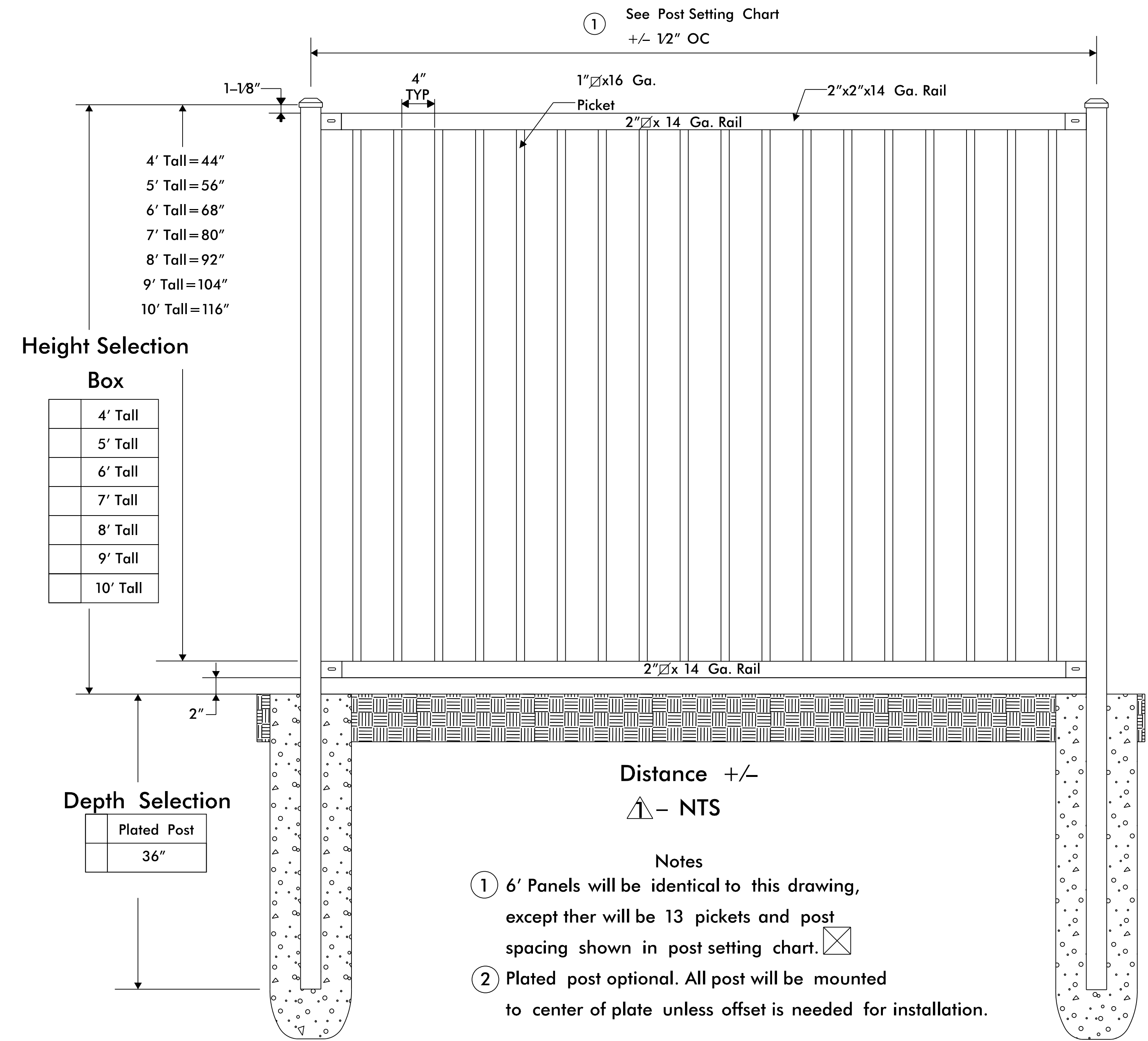


8/17/99

# HANDRAIL DETAIL

PROJECT REFERENCE NO. R-5799	SHEET NO. 2C-10
<b>DOCUMENT NOT CONSIDERED FINAL UNLESS ALL SIGNATURES COMPLETED</b>	



**Height Selection**

4' Tall = 44"
5' Tall = 56"
6' Tall = 68"
7' Tall = 80"
8' Tall = 92"
9' Tall = 104"
10' Tall = 116"

**Box**

4' Tall
5' Tall
6' Tall
7' Tall
8' Tall
9' Tall
10' Tall

**Depth Selection**

Plated Post
36"

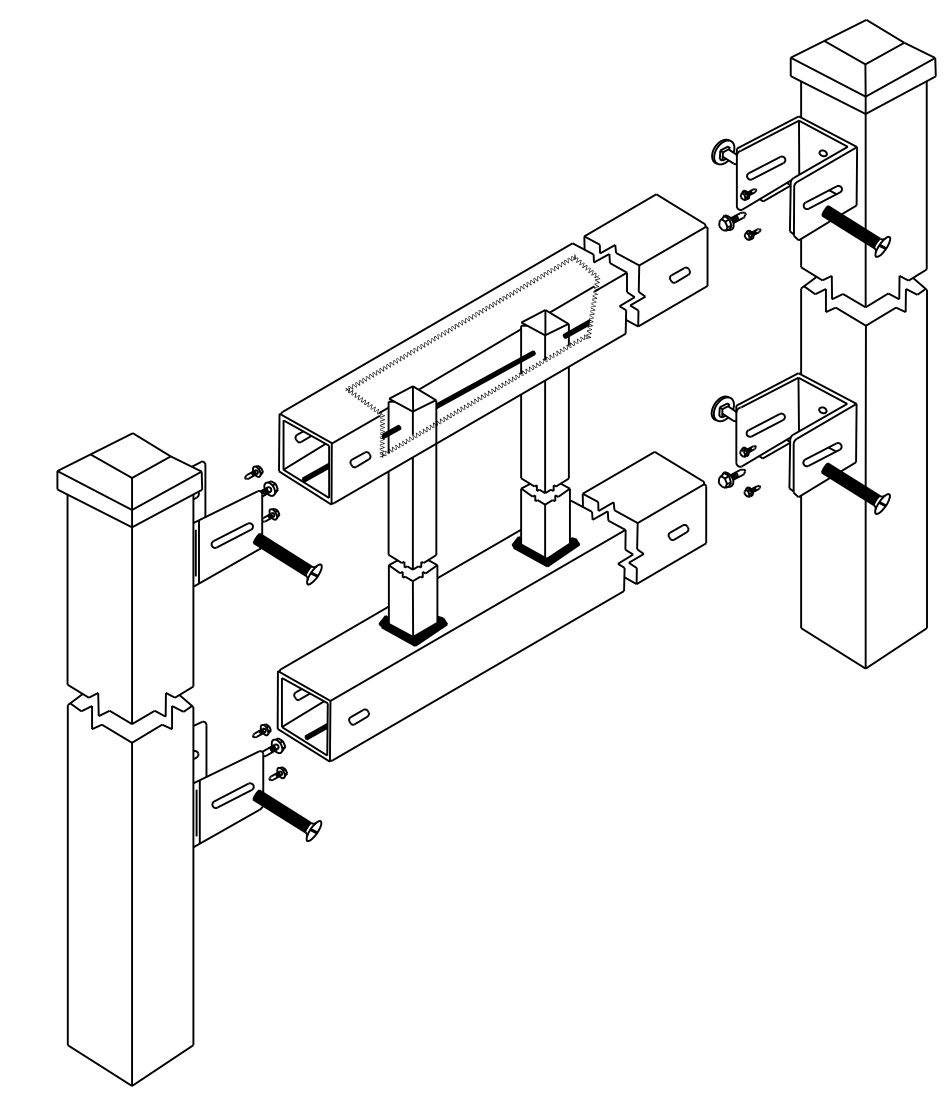
- Distance +/-**  
▲ - NTS
- Notes**
- ① 6' Panels will be identical to this drawing, except there will be 13 pickets and post spacing shown in post setting chart. ☒
  - ② Plated post optional. All post will be mounted to center of plate unless offset is needed for installation.

☒ **Post Setting Chart**

POST SIZE	2-1/2" POSTS		3" POSTS		4" POSTS		6" POSTS	
PANEL WIDTH	6'	8'	6'	8'	6'	8'	6'	8'
POST SETTINGS +/- 1/2" O.C.	71-1/4"	96"	71-3/4"	96-1/2"	72-3/4"	97-1/2"	74-3/4"	99-1/2"

**Post Selection Box**

2-1/2" x 14 Ga. Post
2-1/2" x 12 Ga. Post
3" x 12 Ga. Post
4" x 11 Ga. Post
6" x 3/16" Wall. Post

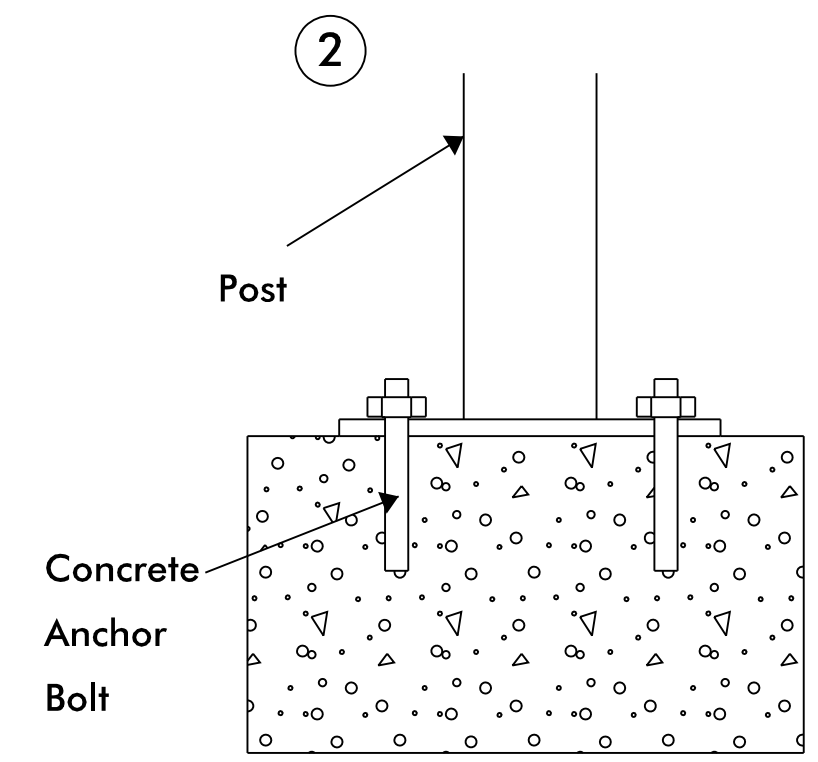


**Mounting Bracket Options**

Industrial Swivel Bracket	Flat Mount Industrial Bracket
---------------------------	-------------------------------

**Plate Selection for Plated Post**

Size	Thickness
4x4	
6x6	
8x8	
12x12	



30-MAR-2023 14:25  
 R:\Projects\15799\15799\_Rdy\_Handrail\_Detail.dgn  
 R:\Projects\15799\15799\_Rdy\_Handrail\_Detail.dgn