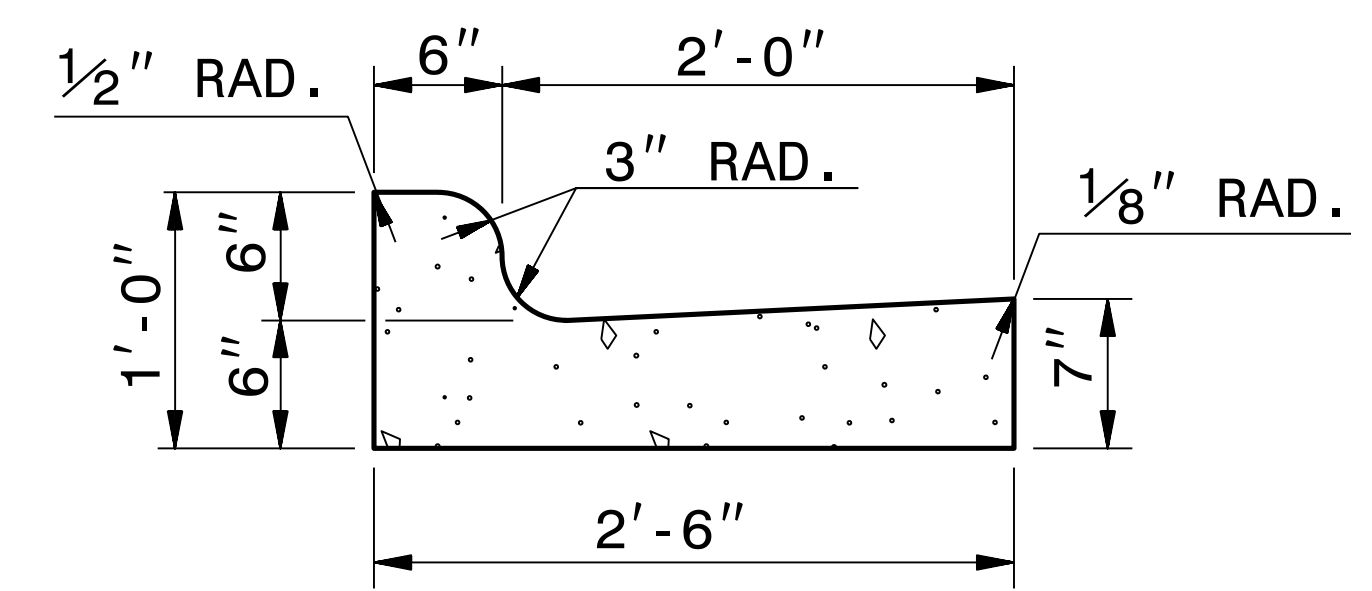


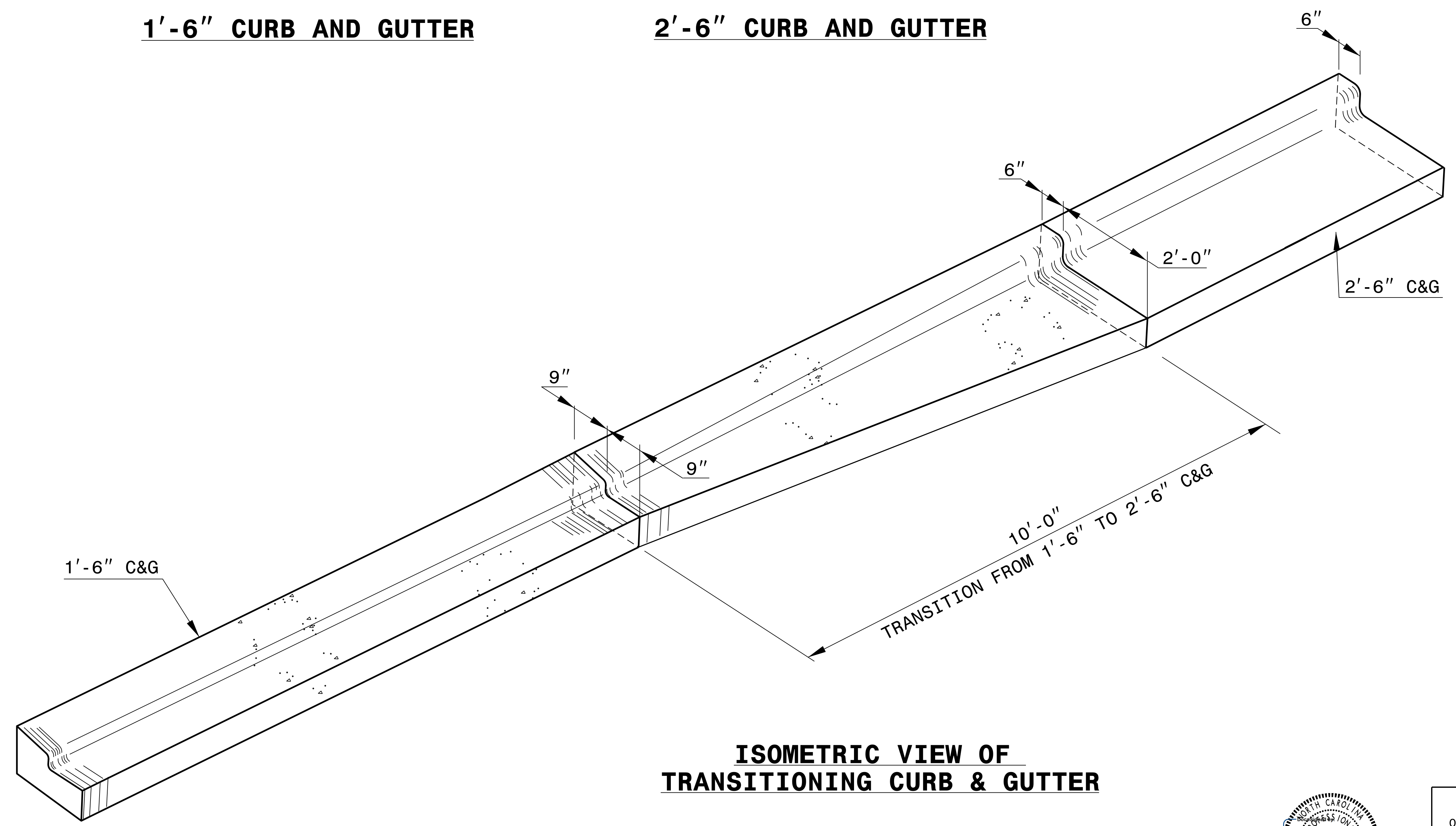
1'-6" CURB AND GUTTER



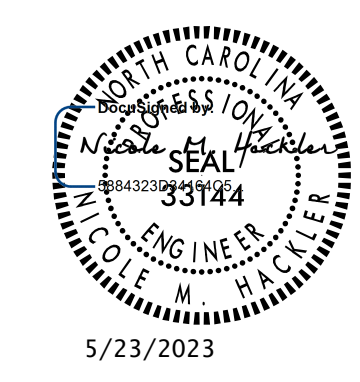
2'-6" CURB AND GUTTER

NOTE: SEE STD. DWG. 846.01 FOR ADDITIONAL CURB AND GUTTER INFORMATION.

SEE ROADWAY PLANS FOR LOCATION OF CURB TRANSITION.



ISOMETRIC VIEW OF TRANSITIONING CURB & GUTTER



5/23/2023

DOCUMENT NOT CONSIDERED FINAL UNLESS ALL SIGNATURES COMPLETED

CONTRACT STANDARDS AND DEVELOPMENT UNIT
 Office 919-707-6950 FAX 919-250-4119

DETAIL OF 1'-6" TO 2'-6" CURB & GUTTER TRANSITION SECTION

ORIGINAL BY: T.S. SPELL DATE: MARCH 3, 2000
 MODIFIED BY: DATE:
 CHECKED BY: DATE:
 FILE SPEC.: _DS174:/usr/details/stand/cgtransit.dgn