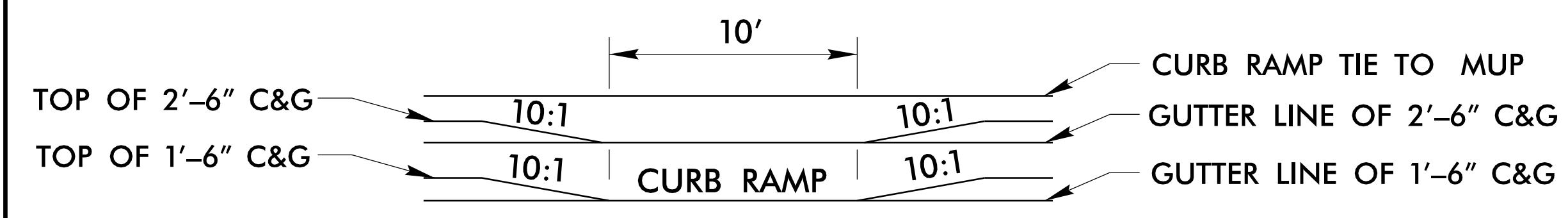
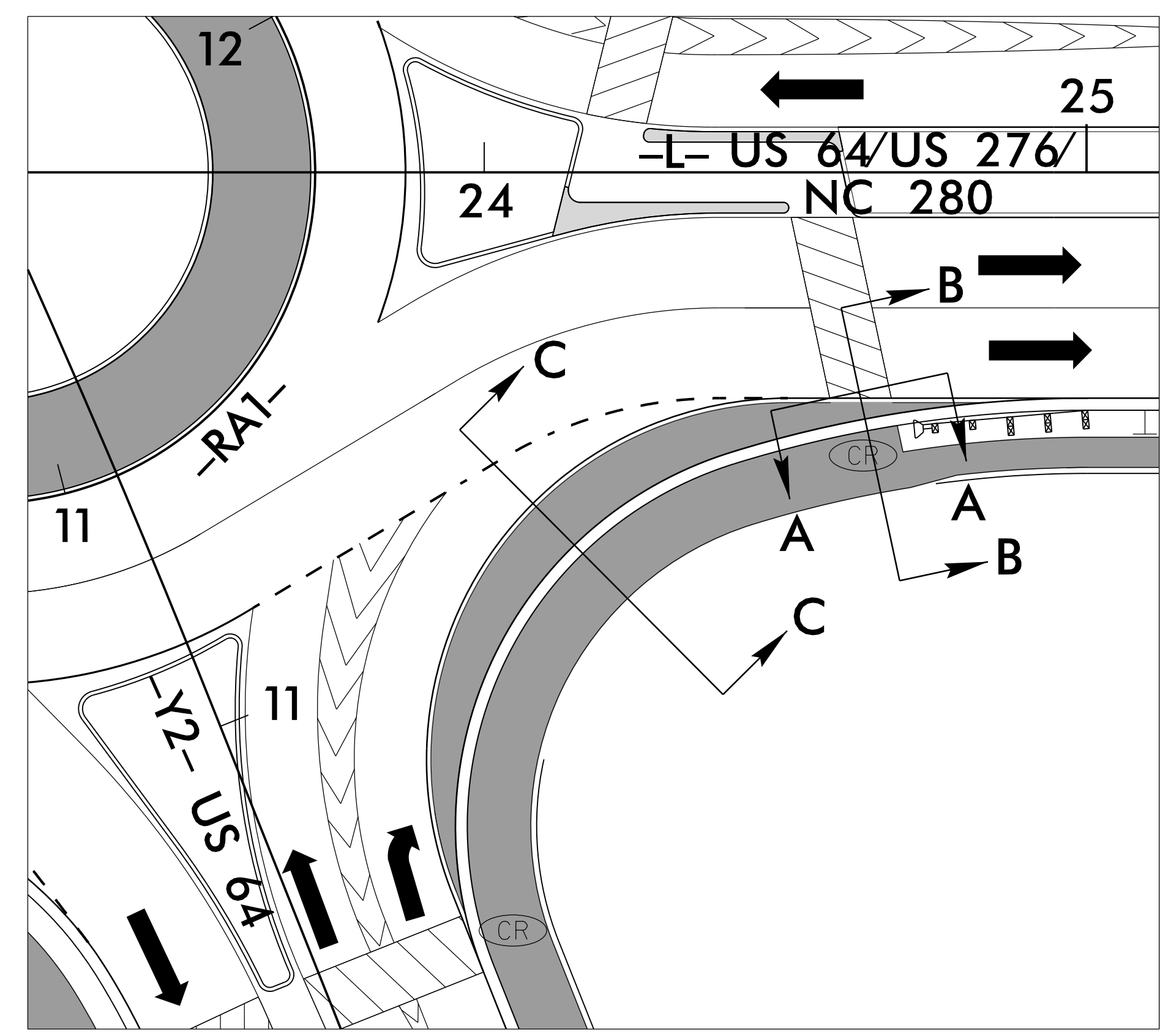
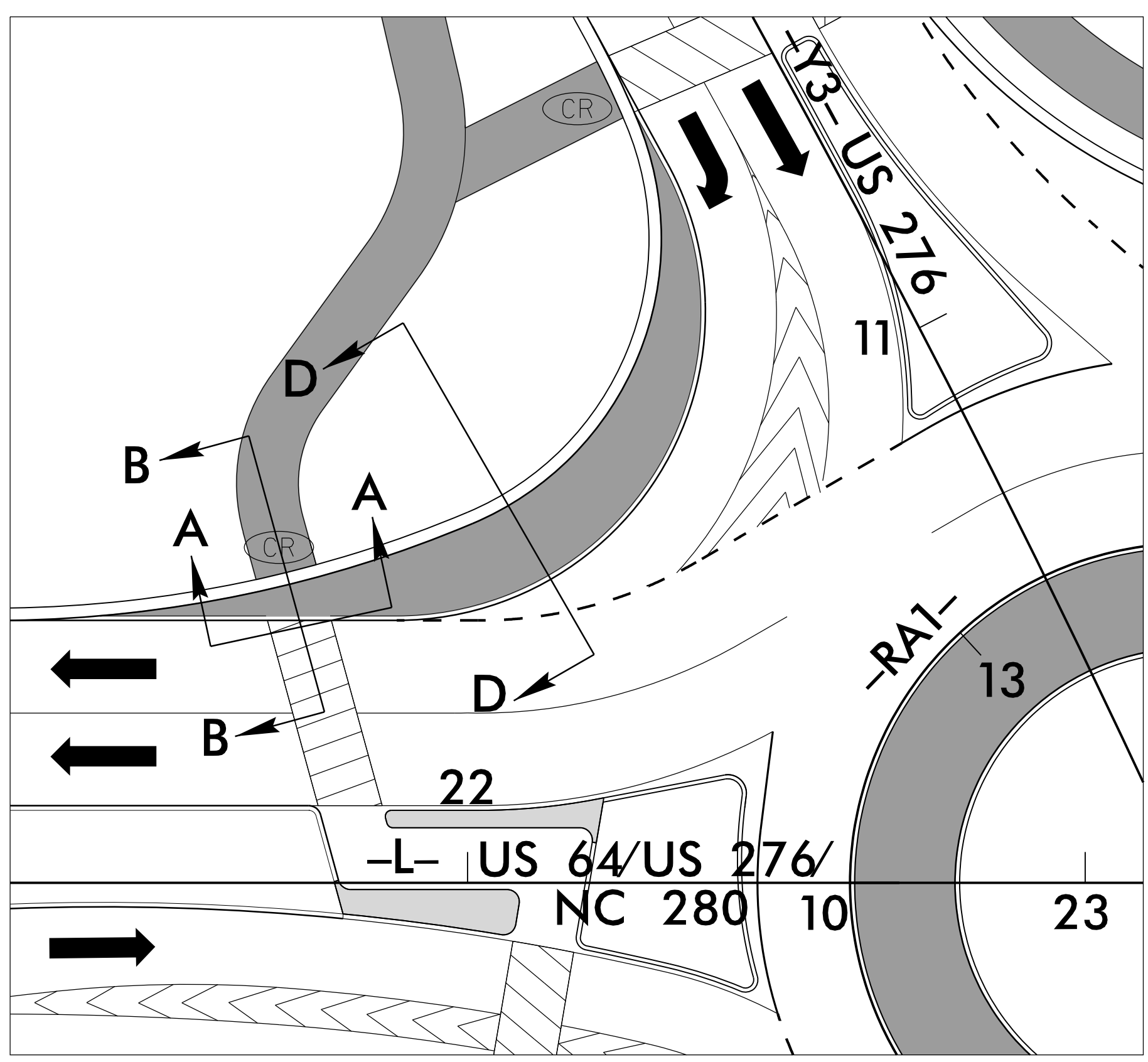
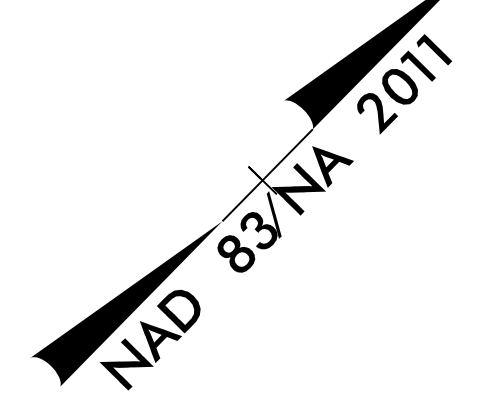
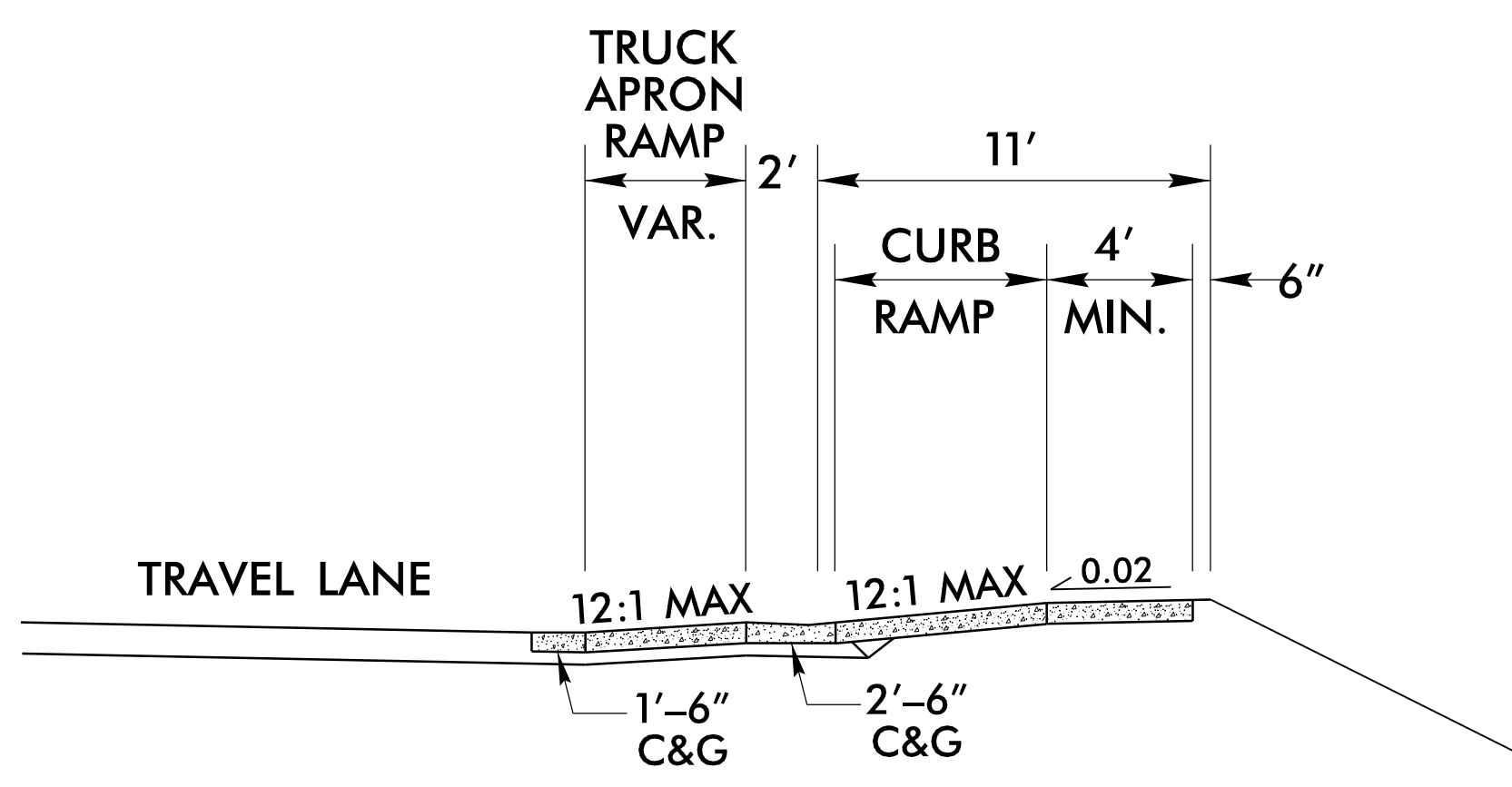


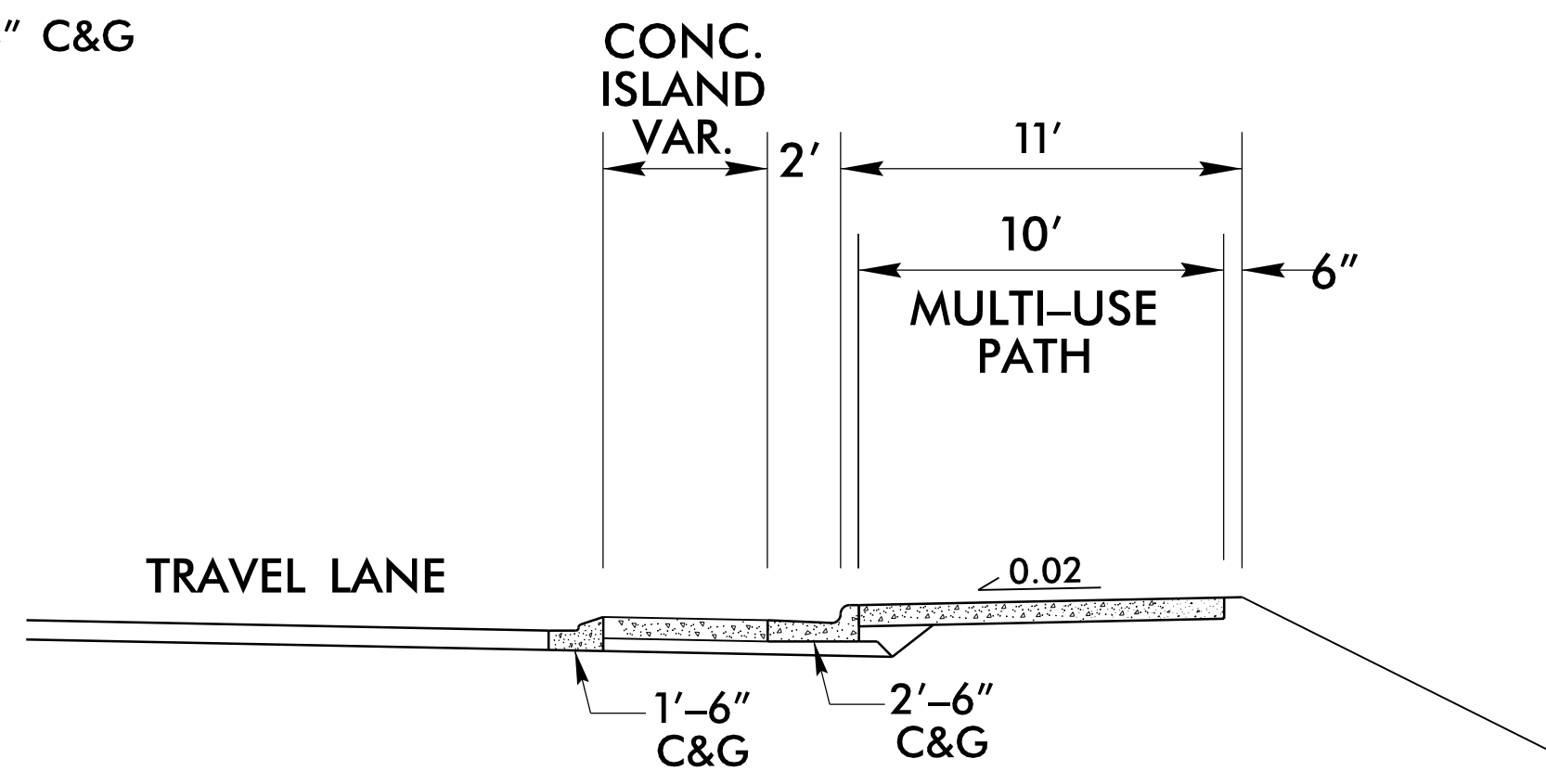
DOCUMENT NOT CONSIDERED FINAL UNLESS ALL SIGNATURES COMPLETED



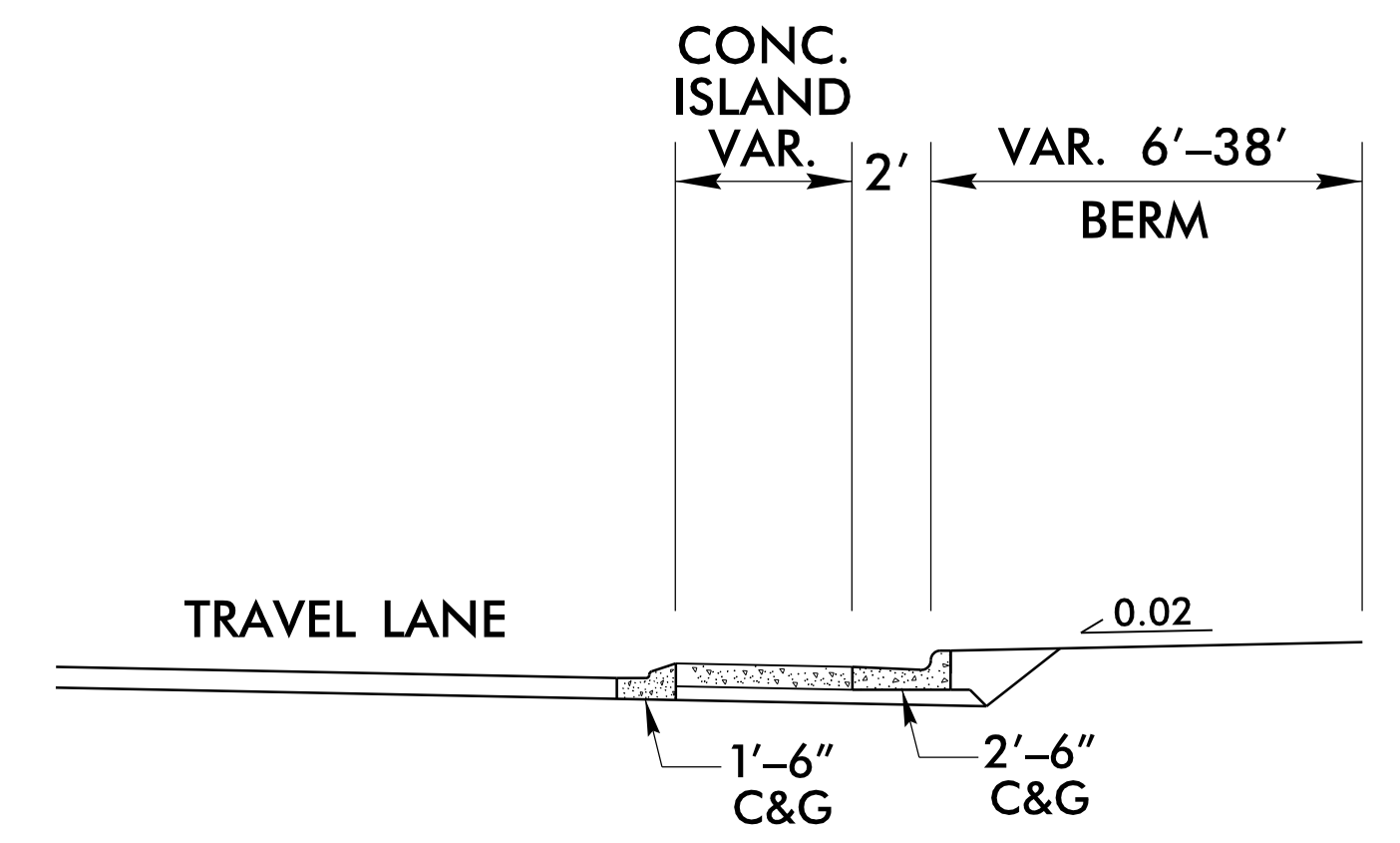
SECTION A-A
VIEW LOOKING NORMAL TO CURB RAMP



SECTION B-B
VIEW LOOKING DOWN TRAVEL LANE



SECTION C-C
VIEW LOOKING DOWN TRAVEL LANE



SECTION D-D
VIEW LOOKING DOWN TRAVEL LANE

OUTSIDE TRUCK APRON AND CURB RAMP DETAILS AT -RA1-