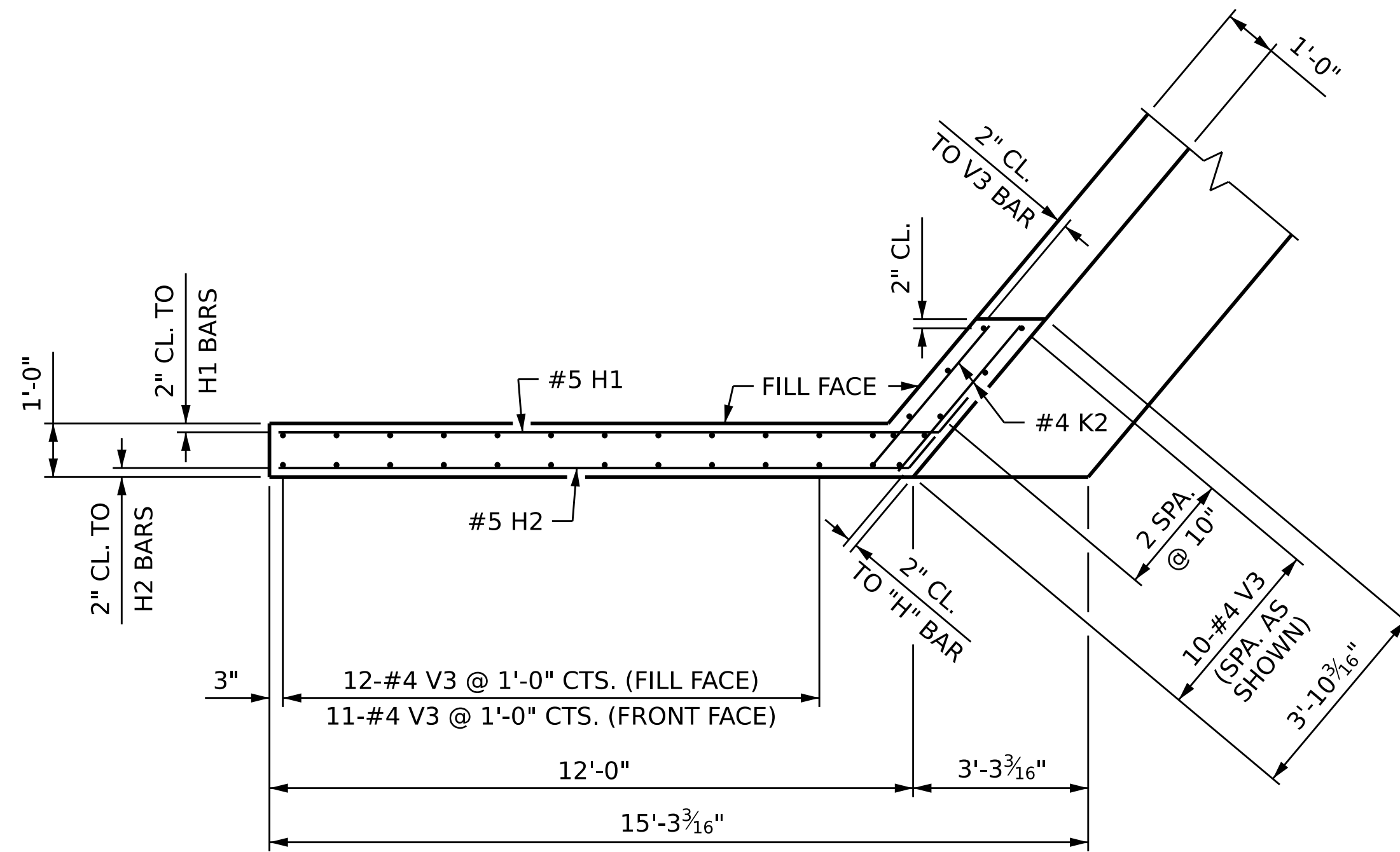
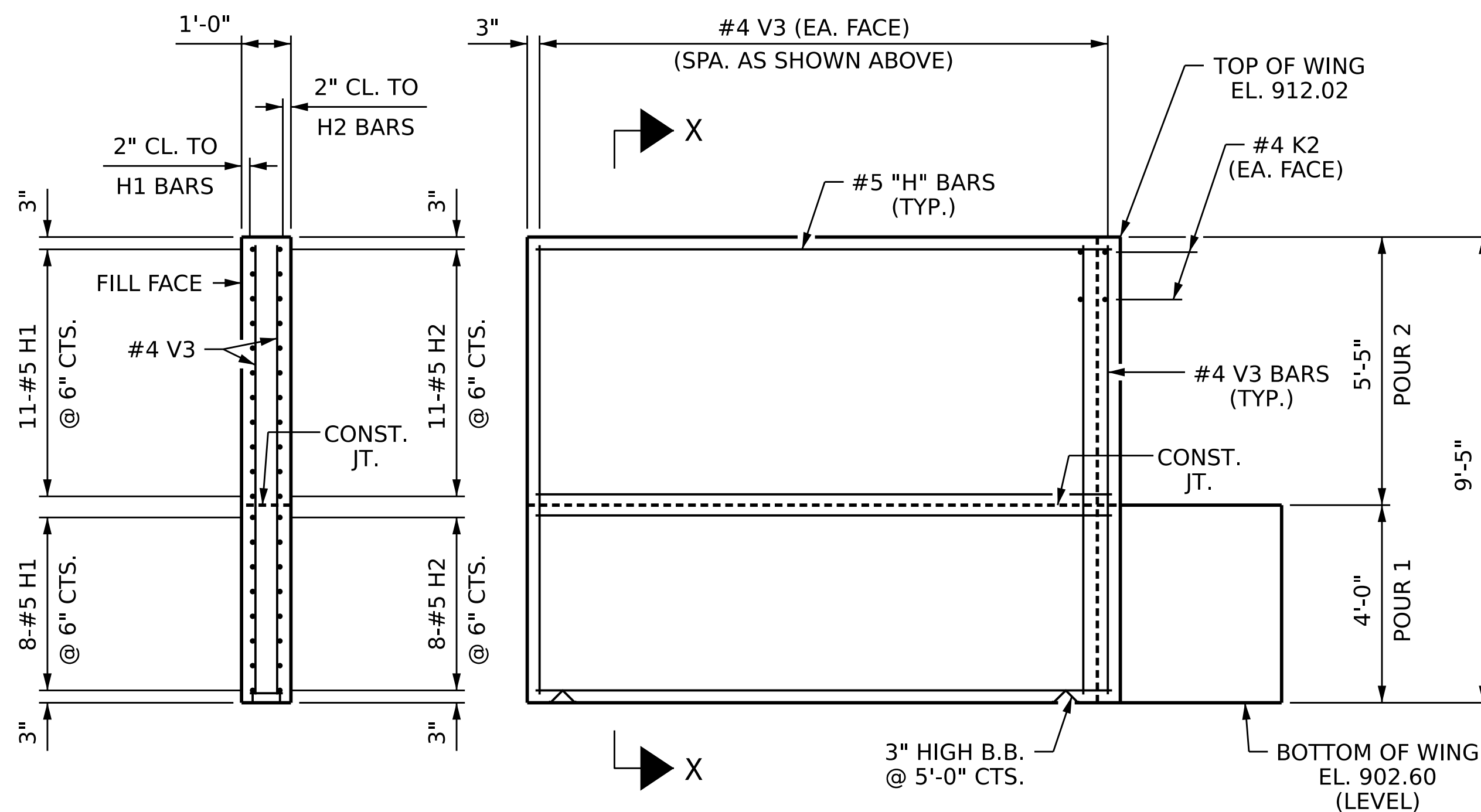


3/21/2023 8:16:32 AM P:\Raleigh\Projects\2019\Division 9 (Davenport)\B-5783\Structures\Drawings\NEW\280168_SB\B-5783_SMU_E2_280168.dgn



PLAN OF WING (W1)



SECTION X-X

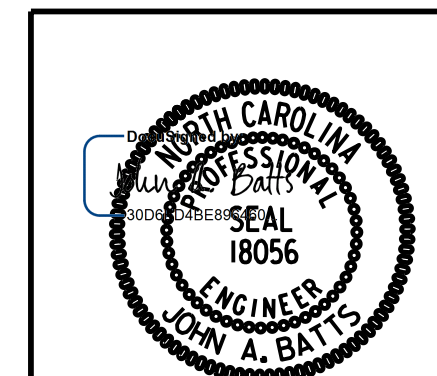
ELEVATION OF WING (W1)

PROJECT NO. B-5783
DAVIDSON COUNTY
 STATION: 21+53.61 -SBL-

SHEET 2 OF 3

STATE OF NORTH CAROLINA
 DEPARTMENT OF TRANSPORTATION
 RALEIGH
 SUBSTRUCTURE

END BENT 2



DRAWN BY : S.D. COOPER DATE : 12-22
 CHECKED BY : J.A. BATTS DATE : 12-22
 DESIGN ENGINEER OF RECORD: J.A. BATTS DATE : 12-22

LICENSURE NO. C-4434

3/21/2023 | 6:02 AM PDT

REVISIONS

NO.	BY:	DATE:	NO.	BY:	DATE:	SHEET NO.
1			3			S2-35
2			4			TOTAL SHEETS 40

**DOCUMENT NOT CONSIDERED FINAL
 UNLESS ALL SIGNATURES COMPLETED**