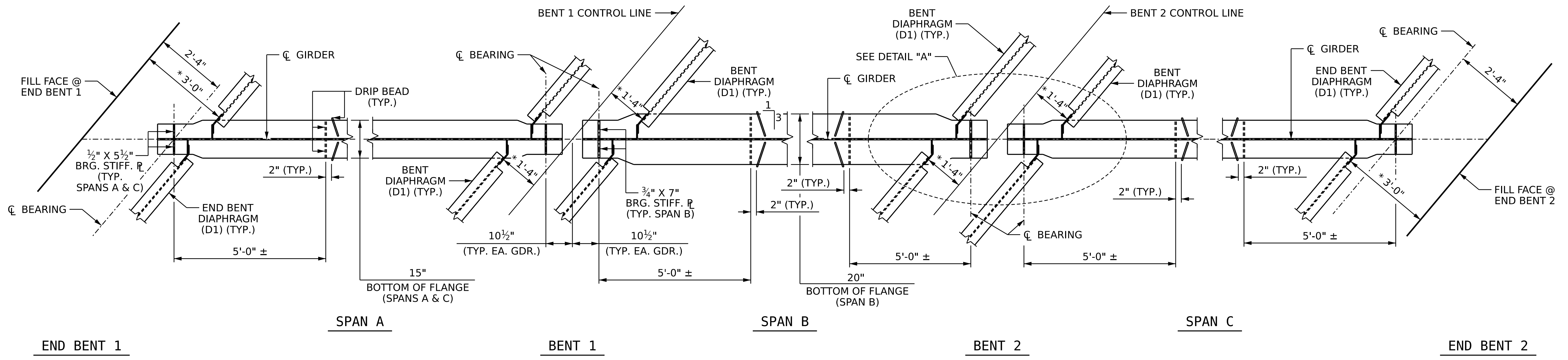
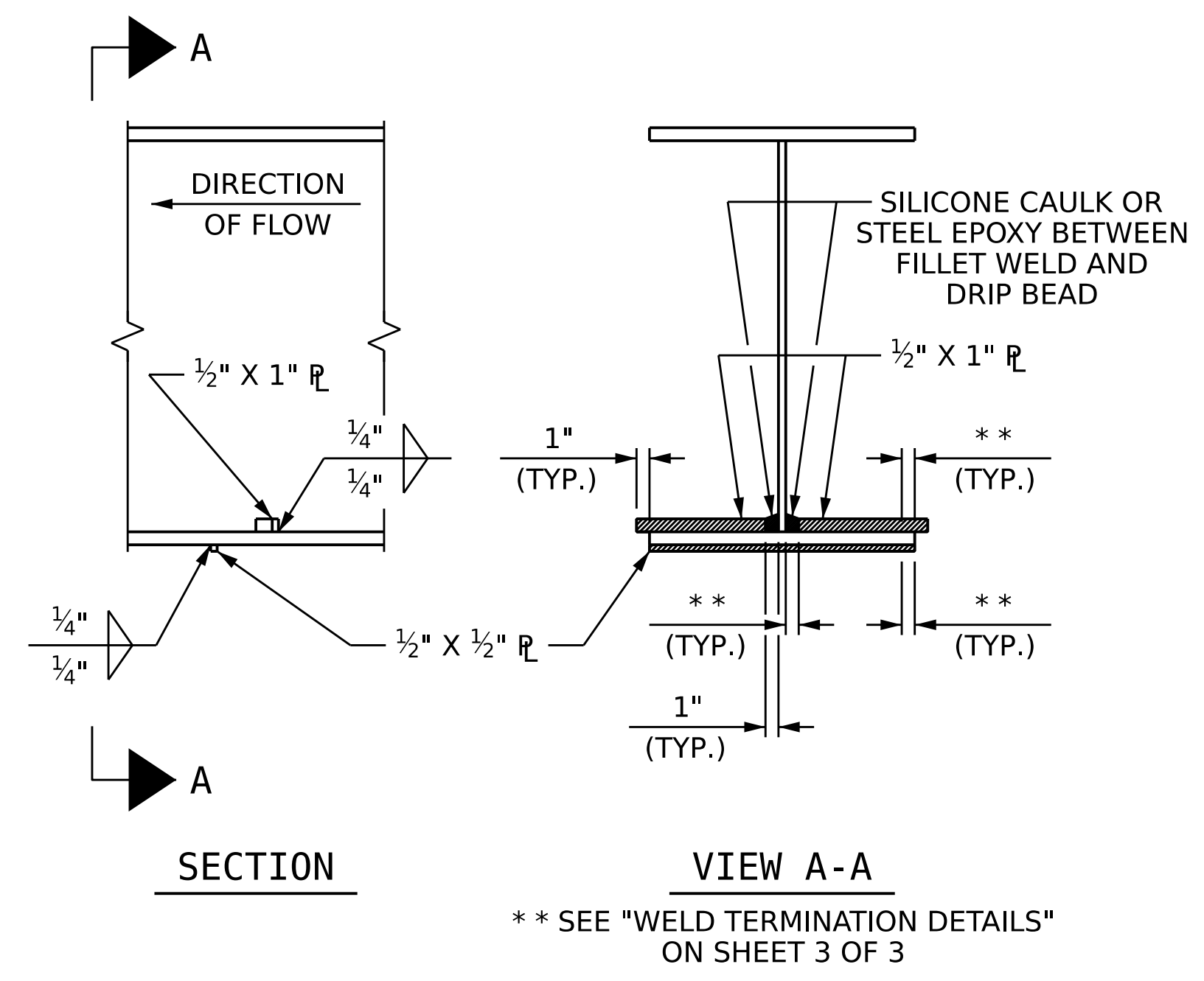


3/21/2023 8:16:08 AM P:\Raleigh\Projects\2019\Division 9 (Davenport)\B-5783\Structures\Drawings\NEW\280168_SB\B-5783_SMU_SS_280168.dgn

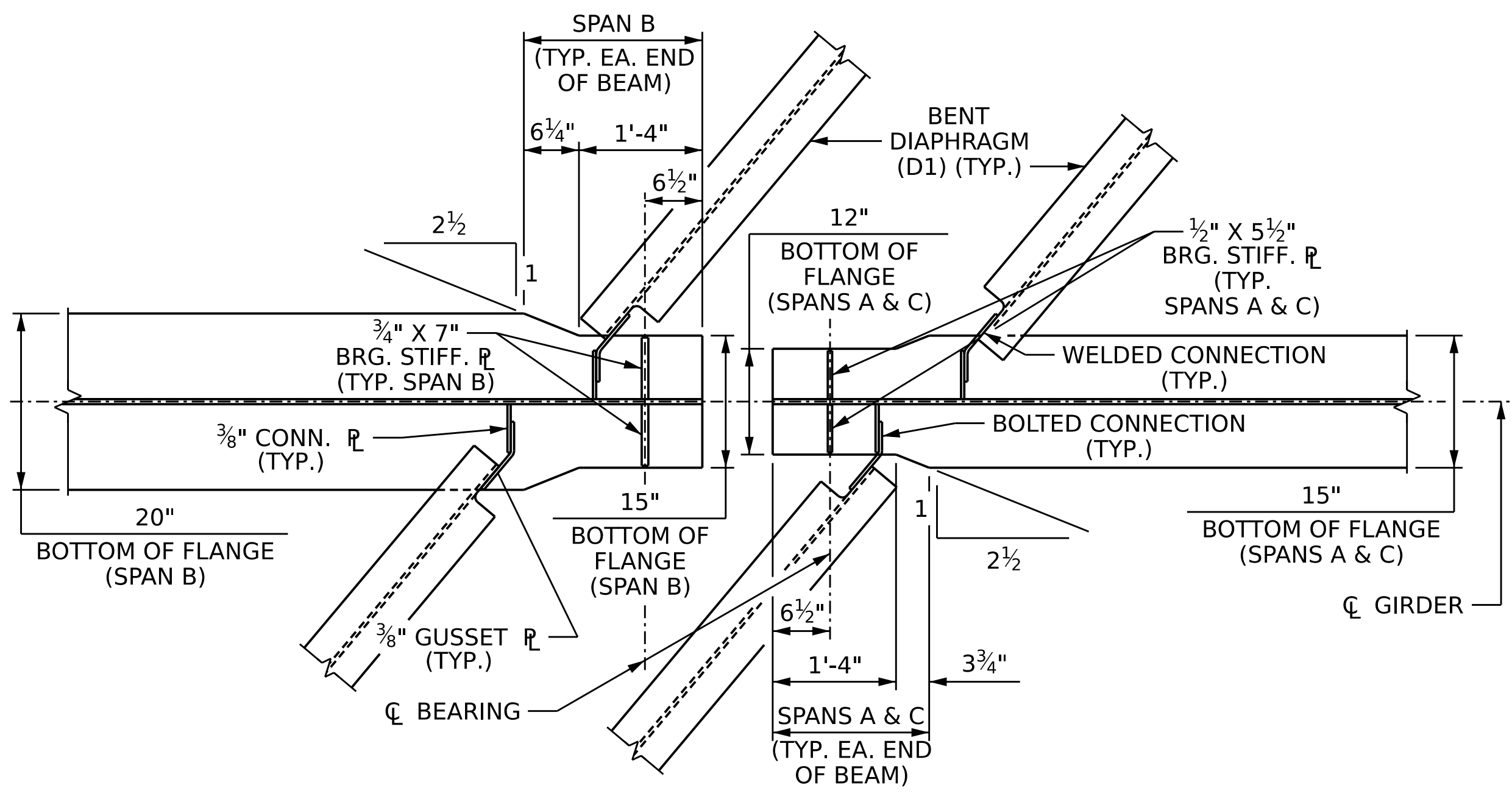


BOTTOM FLANGE DETAIL

(FOR PLACEMENT OF INTERMEDIATE DIAPHRAGMS, SEE "SUPERSTRUCTURE FRAMING PLAN" SHEETS.)
 * OFFSET DISTANCE TO BENT GUSSET PLATE.



DRIP BEAD DETAILS



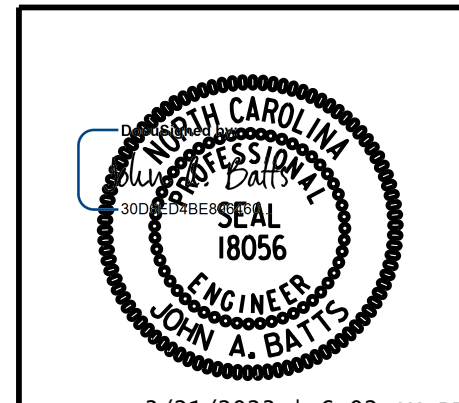
DETAIL "A"

PROJECT NO. B-5783
DAVIDSON COUNTY
 STATION: 21+53.61 -SBL-

SHEET 2 OF 3

STATE OF NORTH CAROLINA
 DEPARTMENT OF TRANSPORTATION
 RALEIGH
 SUPERSTRUCTURE

STRUCTURAL STEEL DETAILS



W WGI
 5640 Dillard Drive, Suite 200
 Cary, NC 27518
 LICENSURE NO. C-4434

DRAWN BY : T. BANKOVICH DATE : 12-22
 CHECKED BY : J.A. BATTS DATE : 12-22
 DESIGN ENGINEER OF RECORD: J.A. BATTS DATE : 12-22

REVISIONS						SHEET NO.
NO.	BY:	DATE:	NO.	BY:	DATE:	S2-14
1			3			TOTAL SHEETS
2			4			40

DOCUMENT NOT CONSIDERED FINAL UNLESS ALL SIGNATURES COMPLETED