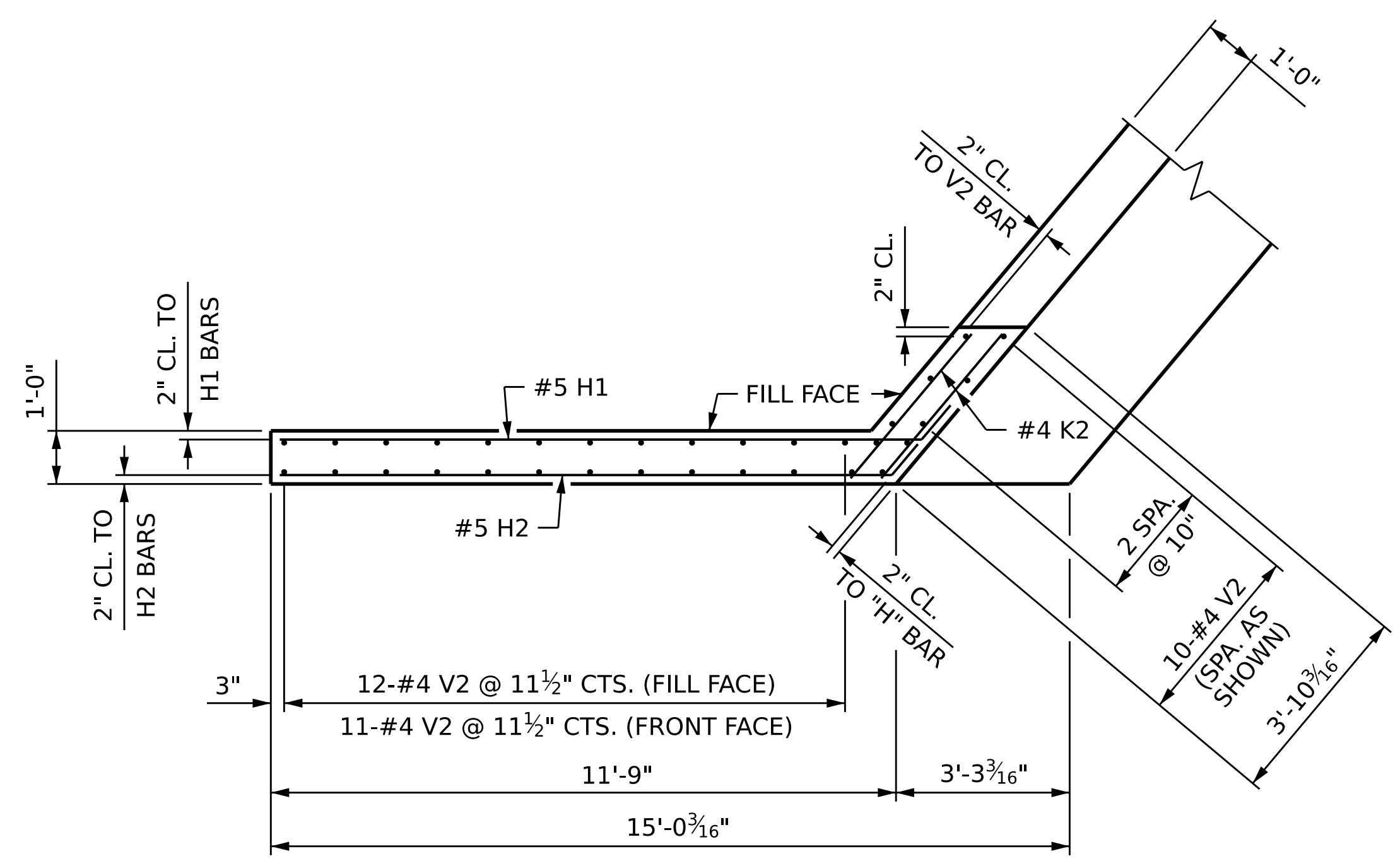
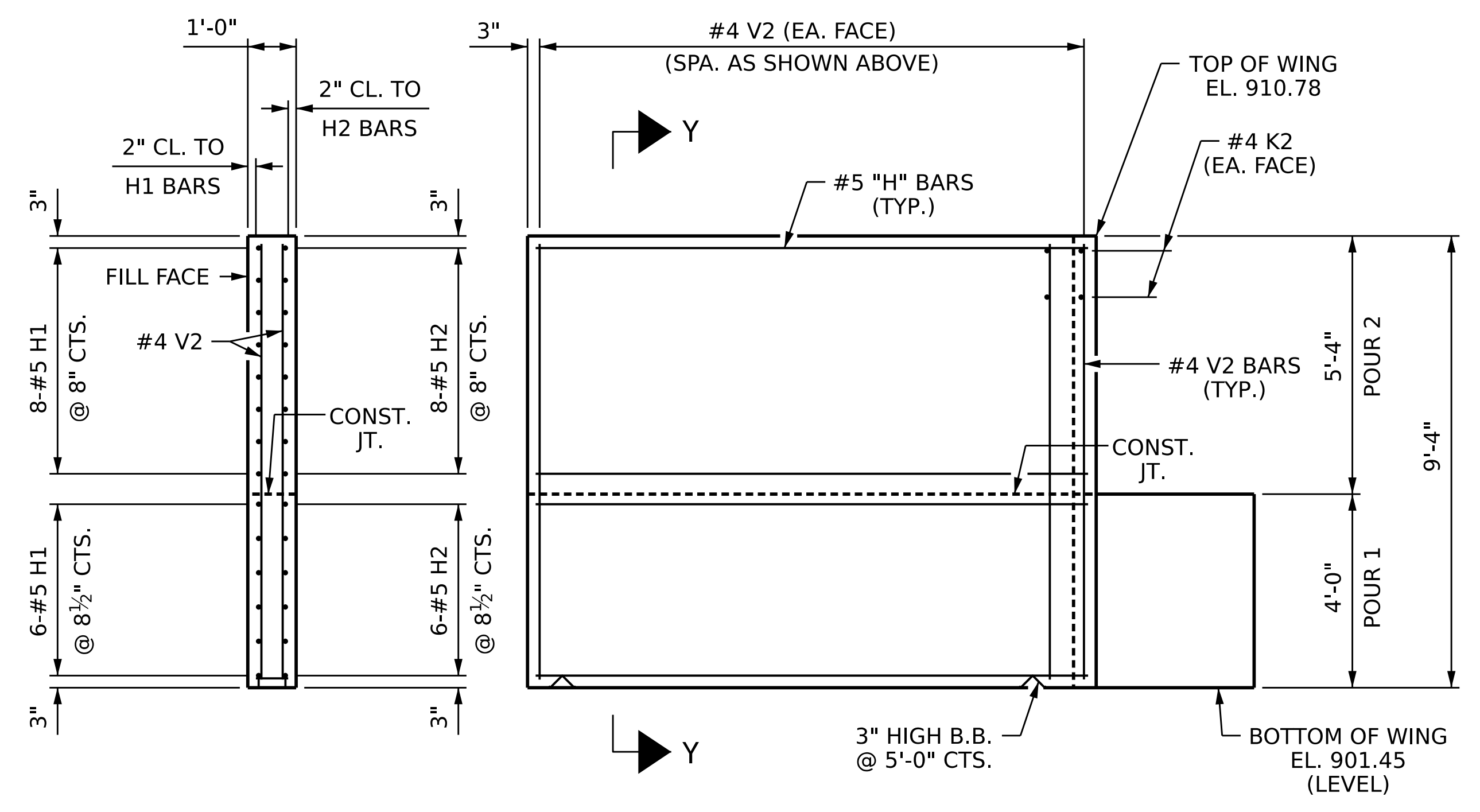


3/21/2023 8:05:46 AM P:\Raleigh\Projects\2019\Division 9 (Davenport)\B-5783\Structures\Drawings\NEW\280164_NB\B-5783_SMU_E1_280164.dgn



PLAN OF WING W2



SECTION Y-Y

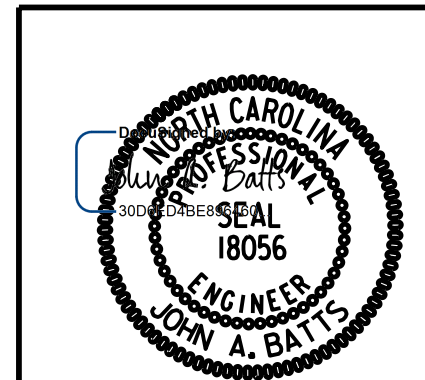
ELEVATION OF WING W2

PROJECT NO. B-5783
DAVIDSON COUNTY
 STATION: 21+13.32 -NBL-

SHEET 2 OF 3

STATE OF NORTH CAROLINA
 DEPARTMENT OF TRANSPORTATION
 RALEIGH
 SUBSTRUCTURE

END BENT 1



LICENSURE NO. C-4434

3/21/2023 | 5:57 AM PDT

DRAWN BY :	S.D. COOPER	DATE :	12-22
CHECKED BY :	J.A. BATTS	DATE :	12-22
DESIGN ENGINEER OF RECORD:	J.A. BATTS	DATE :	12-22

REVISIONS				SHEET NO.	
NO.	BY:	DATE:	NO.	BY:	DATE:
1			3		
2			4		
					TOTAL SHEETS
					40

**DOCUMENT NOT CONSIDERED FINAL
 UNLESS ALL SIGNATURES COMPLETED**