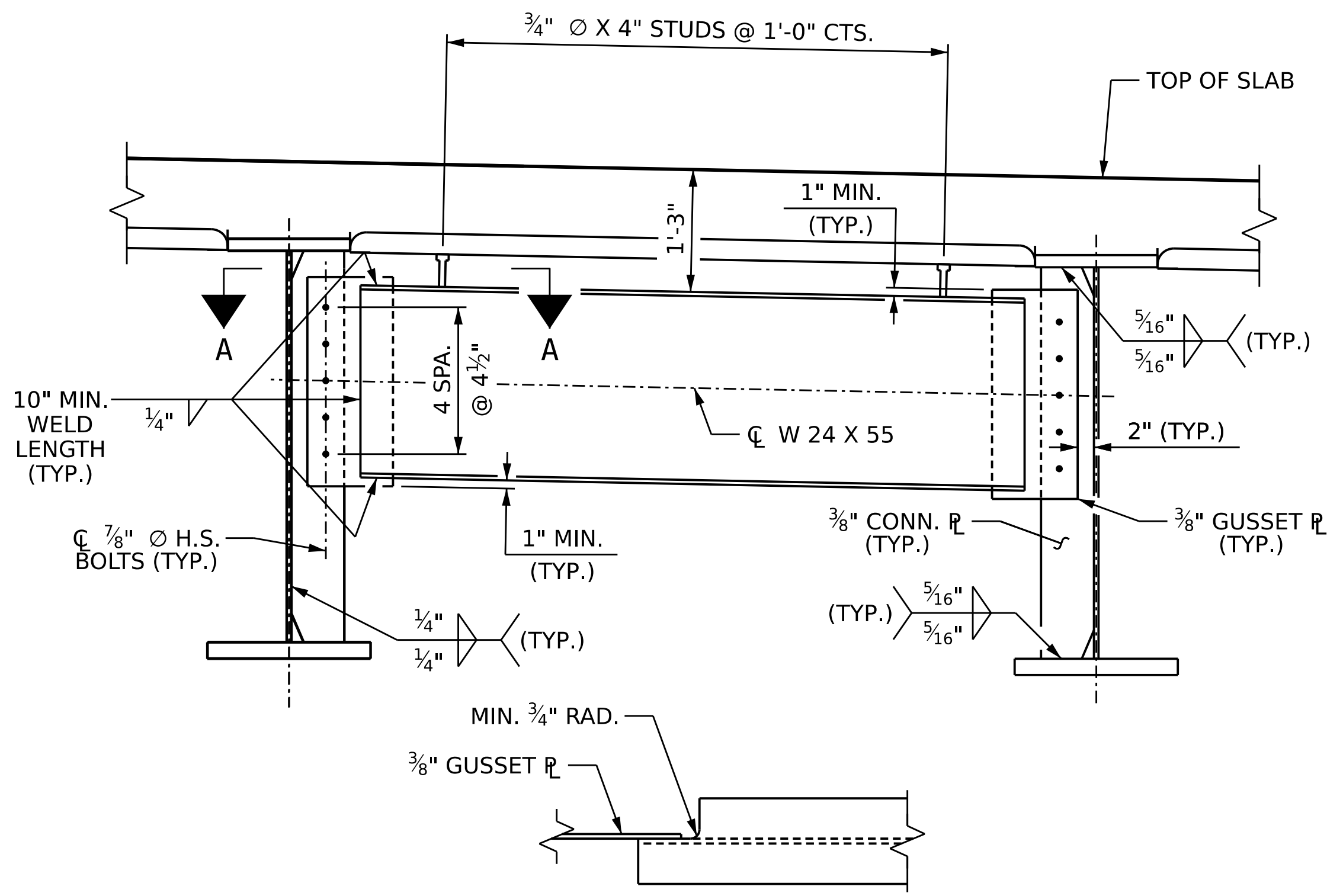
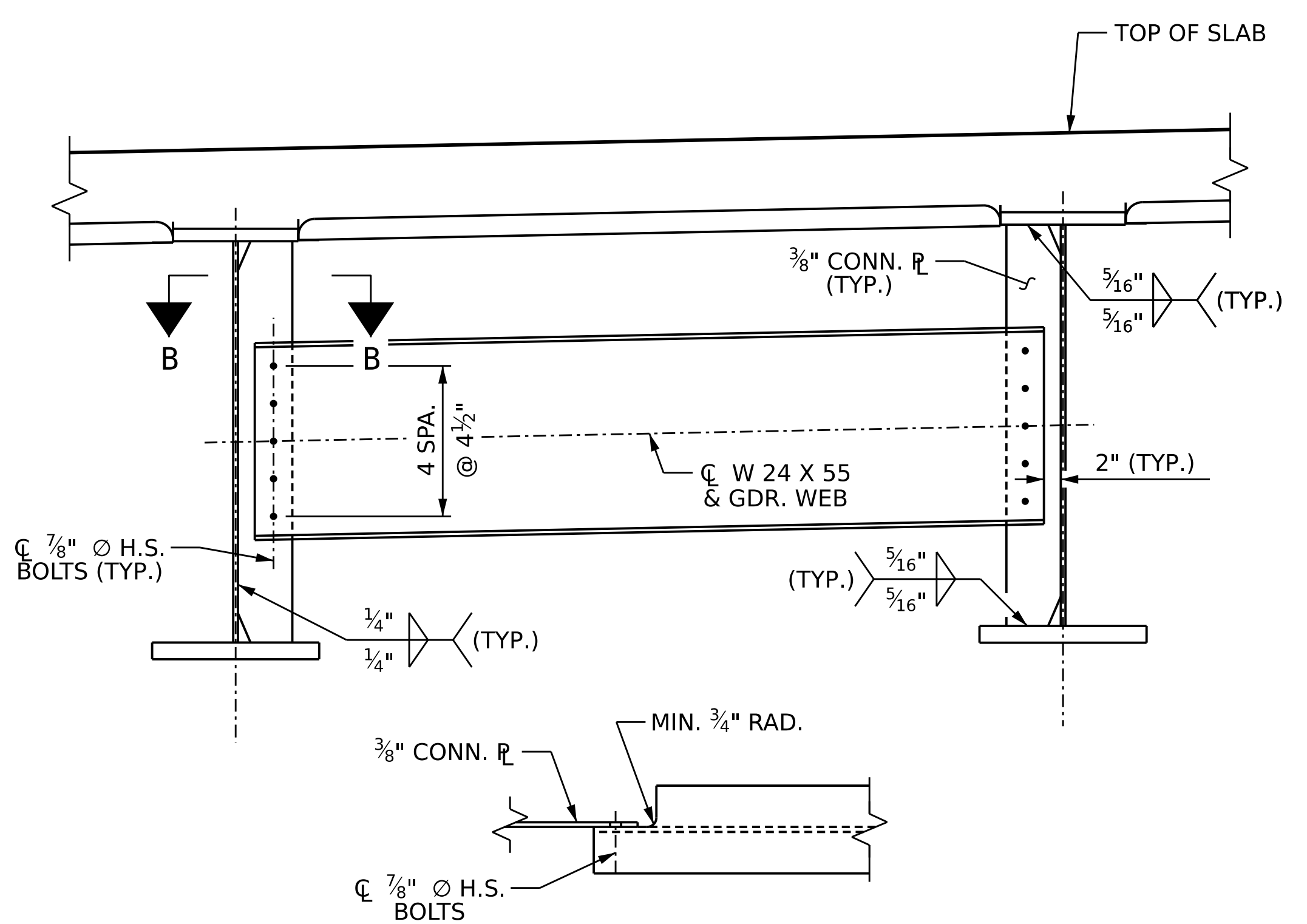


3/21/2023 8:05:30 AM P:\ Raleigh\Projects\2019\Division 9 (Davenport)\B-5783\Structures\Drawings\NEW\280164_NB\B-5783_SMU_SS_280164.dgn



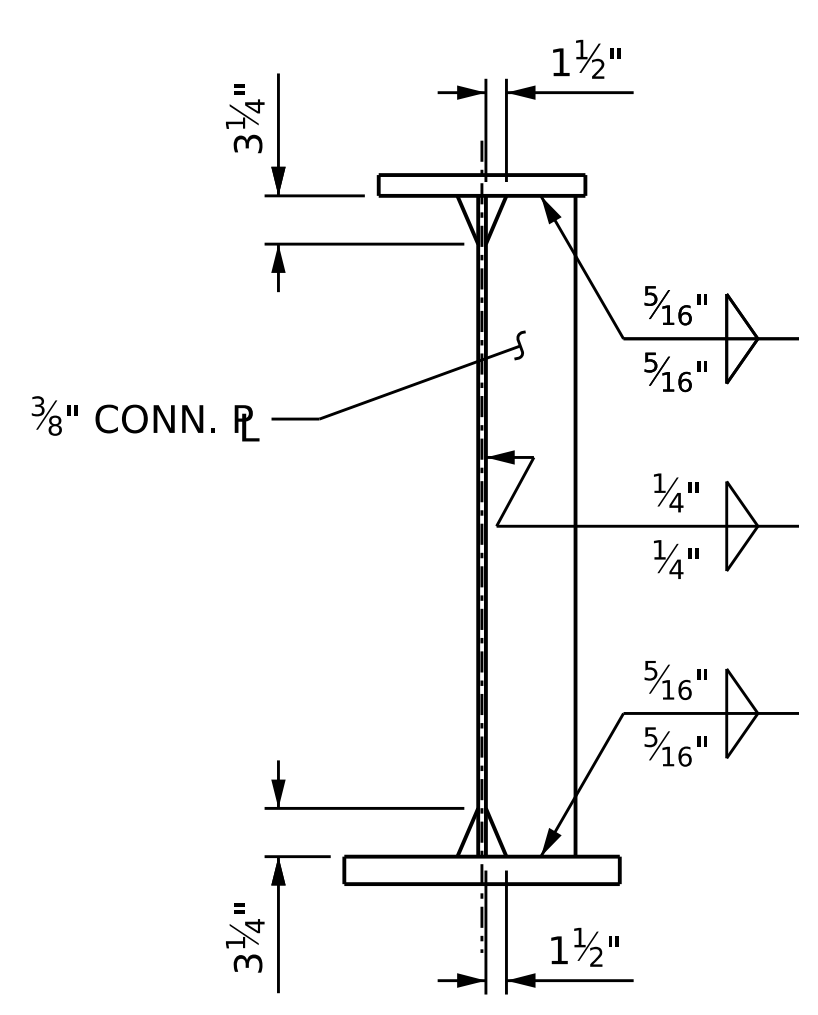
SECTION A-A

END BENT & BENT DIAPHRAGMS (D1)



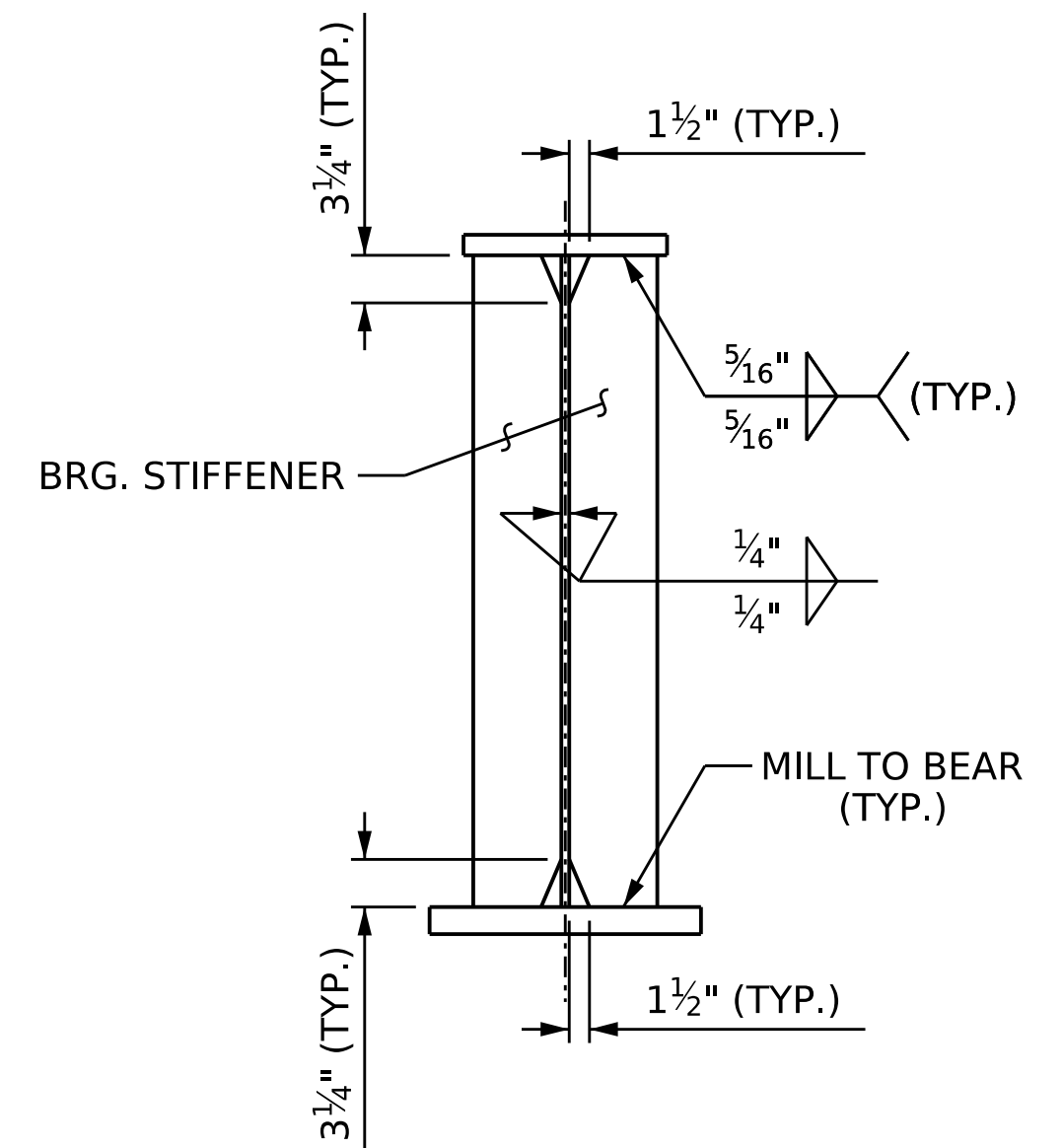
SECTION B-B

INTERMEDIATE DIAPHRAGM (D2)

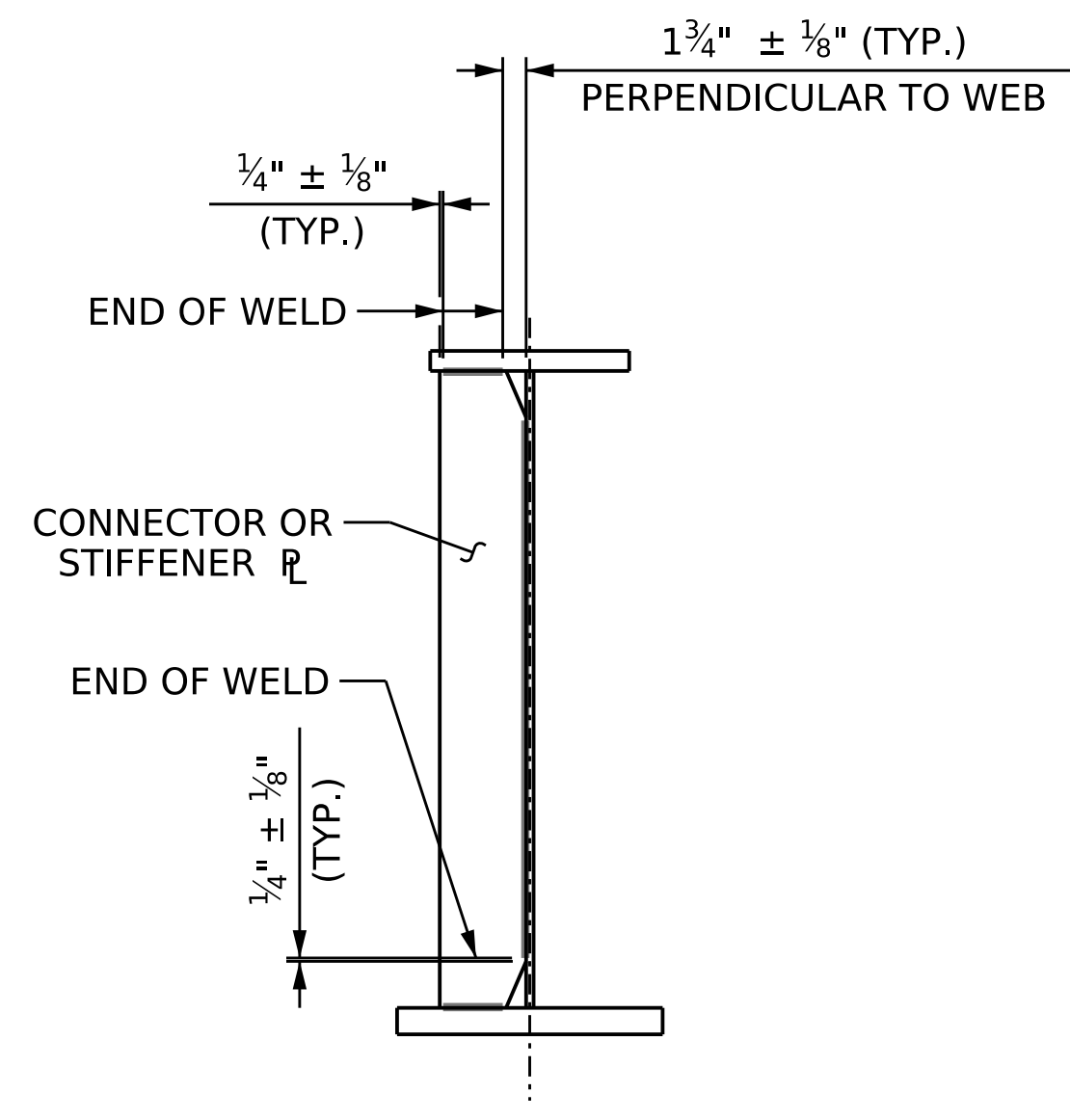


CONNECTOR PLATE

CONNECTOR PLATE FOR END BENT AND BENT DIAPHRAGMS (D1) OR INTERMEDIATE DIAPHRAGMS (D2)



BEARING STIFFENER

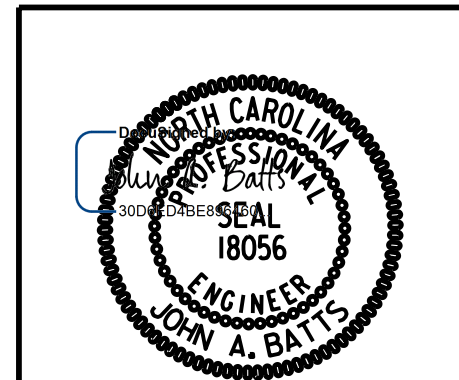


WELD TERMINATION DETAIL

PROJECT NO. B-5783
DAVIDSON COUNTY
 STATION: 21+13.32 -NBL-

SHEET 3 OF 3

STATE OF NORTH CAROLINA
 DEPARTMENT OF TRANSPORTATION
 RALEIGH
 SUPERSTRUCTURE
**STRUCTURAL STEEL
 DETAILS**



DRAWN BY : T. BANKOVICH DATE : 12-22
 CHECKED BY : J.A. BATTS DATE : 12-22
 DESIGN ENGINEER OF RECORD: J.A. BATTS DATE : 12-22

REVISIONS						SHEET NO.
NO.	BY:	DATE:	NO.	BY:	DATE:	S1-15
1			3			TOTAL SHEETS
2			4			40

**DOCUMENT NOT CONSIDERED FINAL
 UNLESS ALL SIGNATURES COMPLETED**