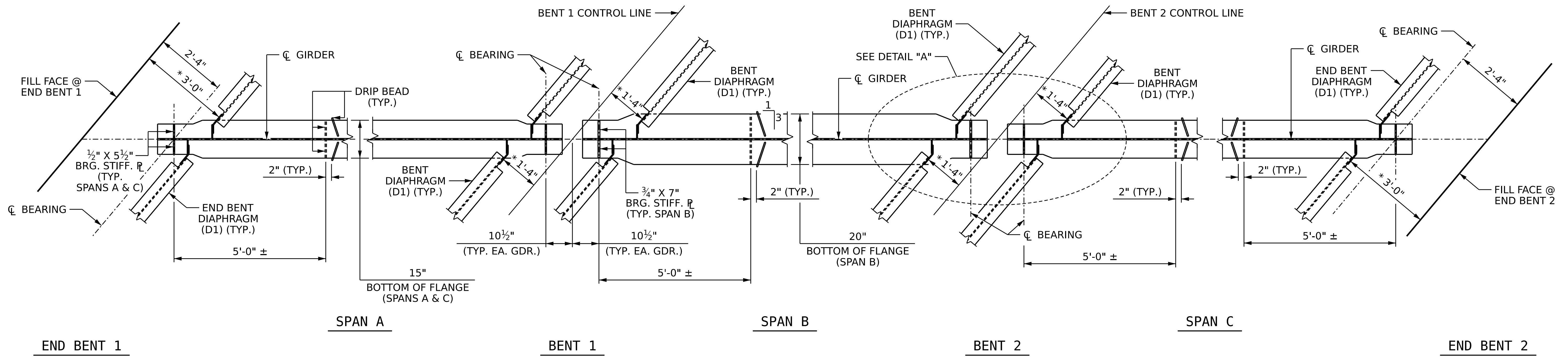
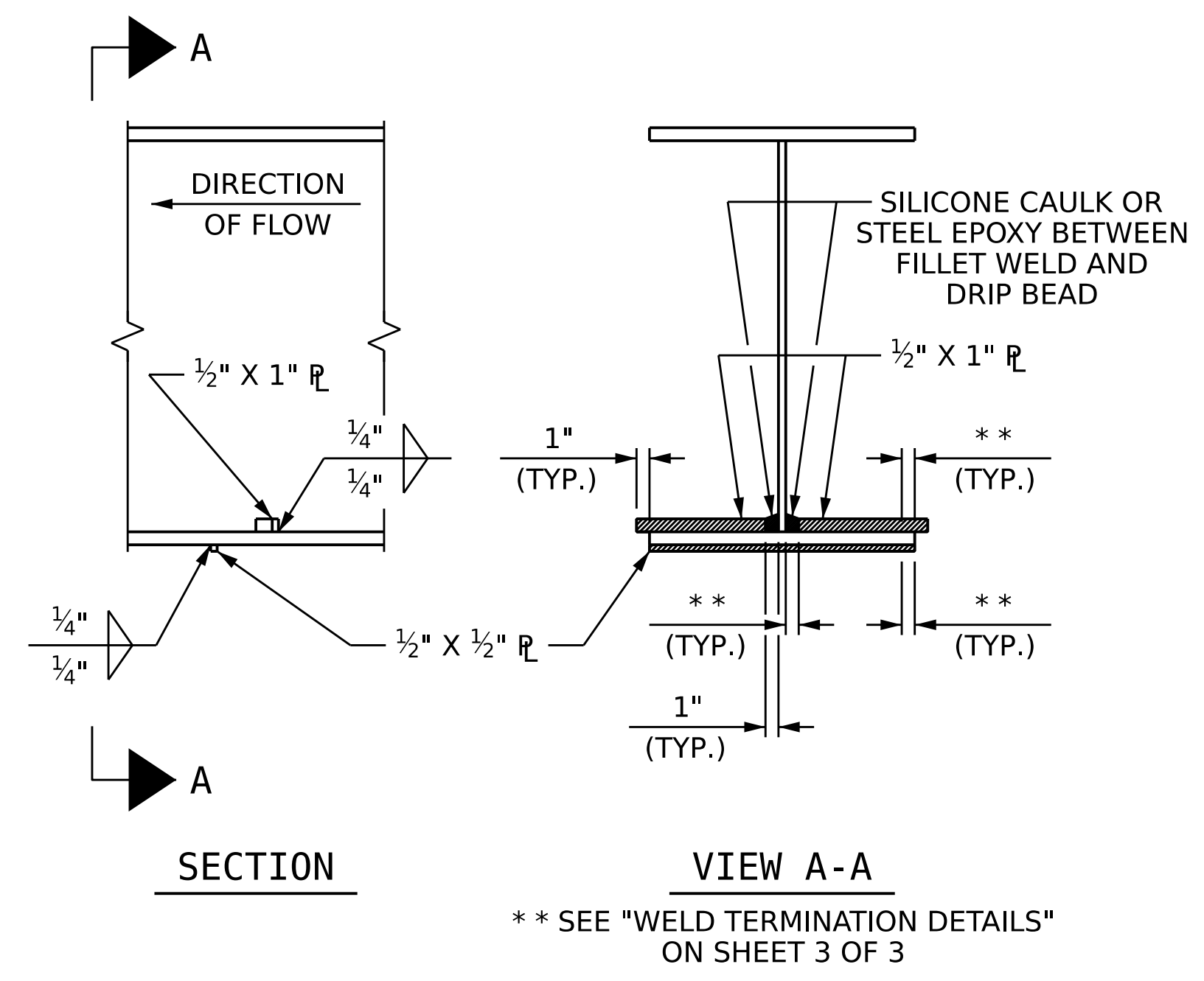


3/21/2023 8:05:29 AM P:\Raleigh\Projects\2019\Division 9 (Davenport)\B-5783\Structures\Drawings\NEW\280164_NB\B-5783_SMU_SS_280164.dgn

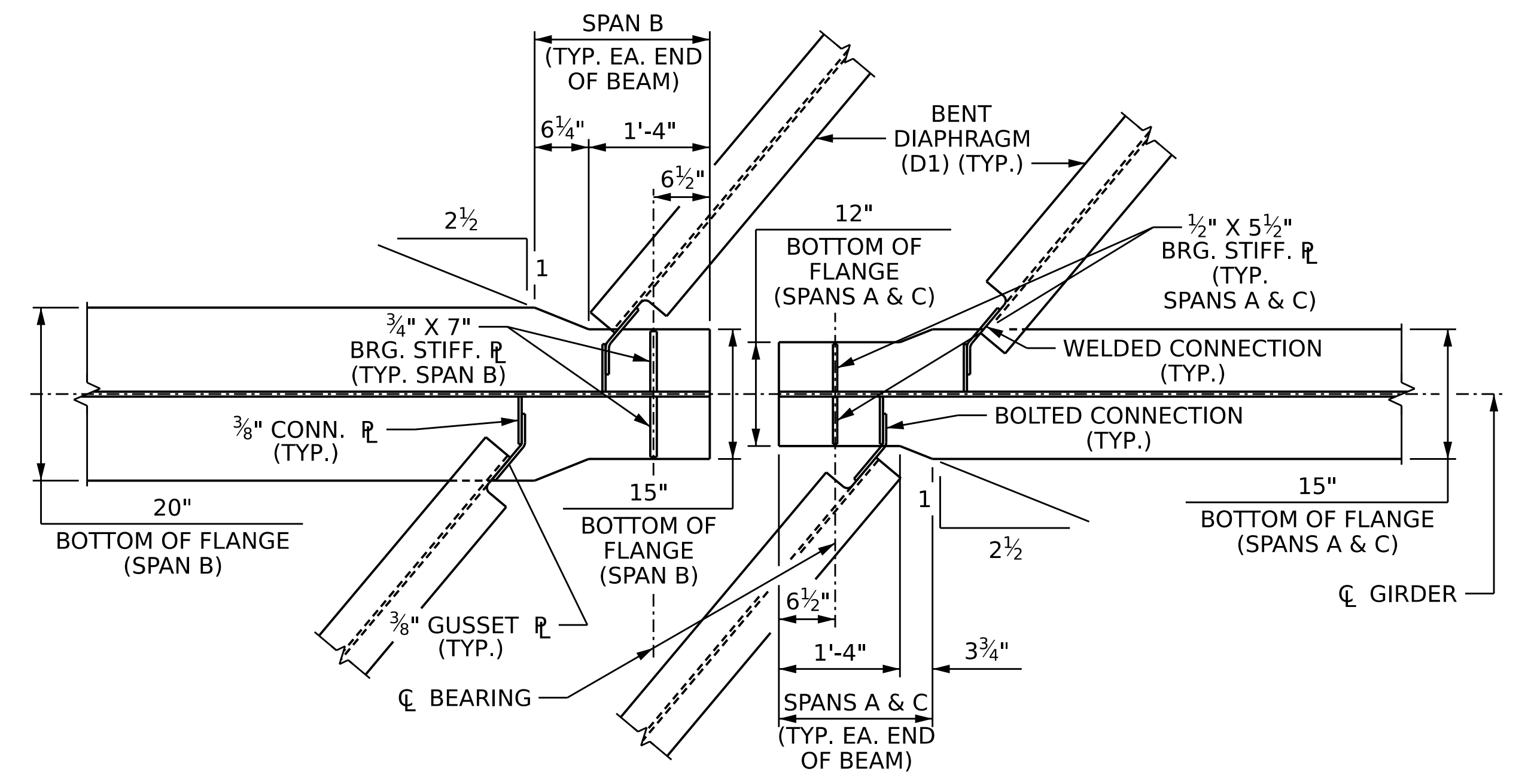


BOTTOM FLANGE DETAIL

(FOR PLACEMENT OF INTERMEDIATE DIAPHRAGMS, SEE "SUPERSTRUCTURE FRAMING PLAN" SHEETS.)
 * OFFSET DISTANCE TO BENT GUSSET PLATE



DRIP BEAD DETAILS

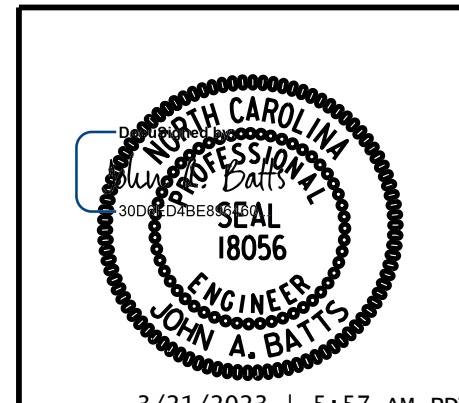


DETAIL "A"

PROJECT NO. B-5783
DAVIDSON COUNTY
 STATION: 21+13.32 -NBL-
 SHEET 2 OF 3

STATE OF NORTH CAROLINA
 DEPARTMENT OF TRANSPORTATION
 RALEIGH
 SUPERSTRUCTURE

STRUCTURAL STEEL DETAILS



WVGI
 5640 Dillard Drive, Suite 200
 Cary, NC 27518
 LICENSURE NO. C-4434

DRAWN BY :	T. BANKOVICH	DATE :	12-22
CHECKED BY :	J.A. BATTS	DATE :	12-22
DESIGN ENGINEER OF RECORD:	J.A. BATTS	DATE :	12-22

REVISIONS				SHEET NO.			
NO.	BY:	DATE:	NO.	BY:	DATE:	S1-14	
1			3			TOTAL SHEETS	
2			4			40	

DOCUMENT NOT CONSIDERED FINAL UNLESS ALL SIGNATURES COMPLETED