

PROJ. REFERENCE NO. B-5783 SHEET NO. X-16

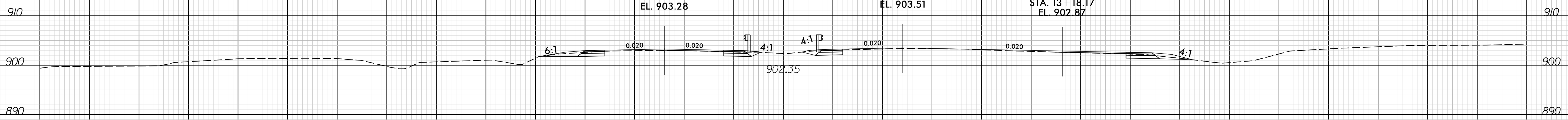


32 + 00.00

-SBL-
EL. 903.28

-NBL-
EL. 903.51

-RPC-
STA. 13 + 18.17
EL. 902.87

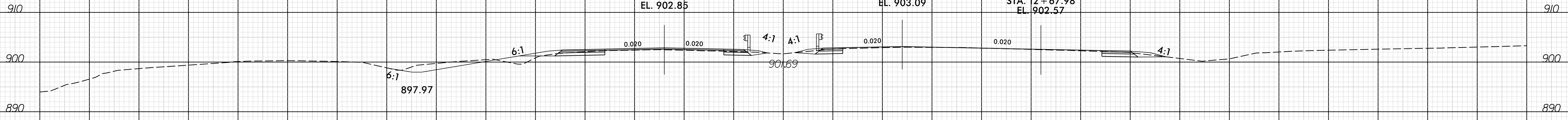


31 + 50.00

-SBL-
EL. 902.85

-NBL-
EL. 903.09

-RPC-
STA. 12 + 67.98
EL. 902.57

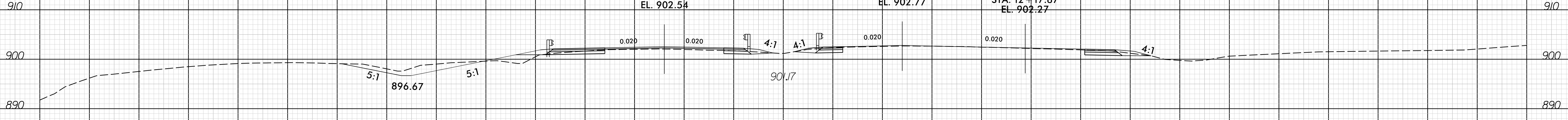


31 + 00.00

-SBL-
EL. 902.54

-NBL-
EL. 902.77

-RPC-
STA. 12 + 17.87
EL. 902.27

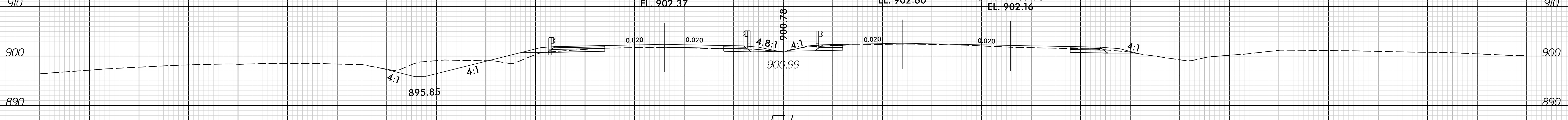


30 + 50.00

-SBL-
EL. 902.37

-NBL-
EL. 902.60

-RPC-
STA. 11 + 67.78
EL. 902.16



-EL-

8:27:46 AM 7/15/16 160005_NCDOT_B5783_US29-70\DESIGN\B5783\Roadway\XSC\160005_XX_XPL.dgn