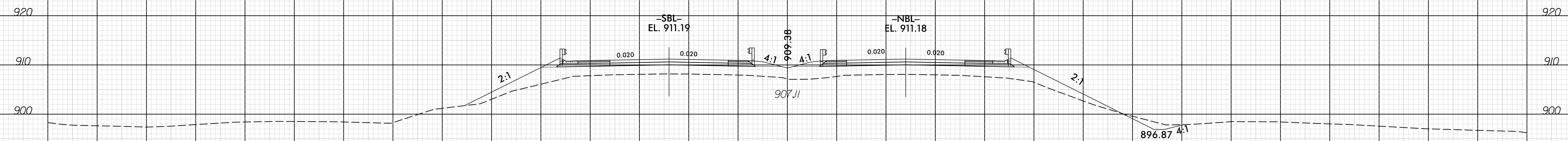
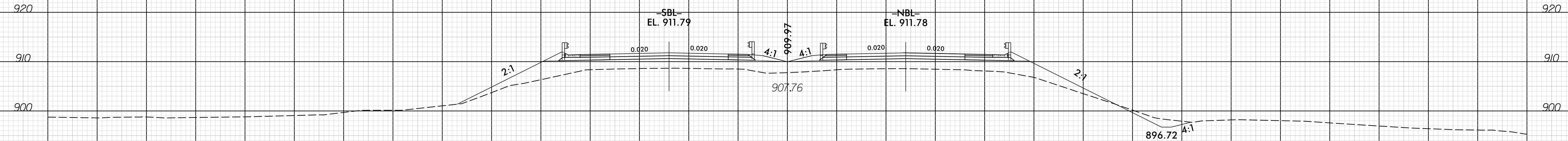


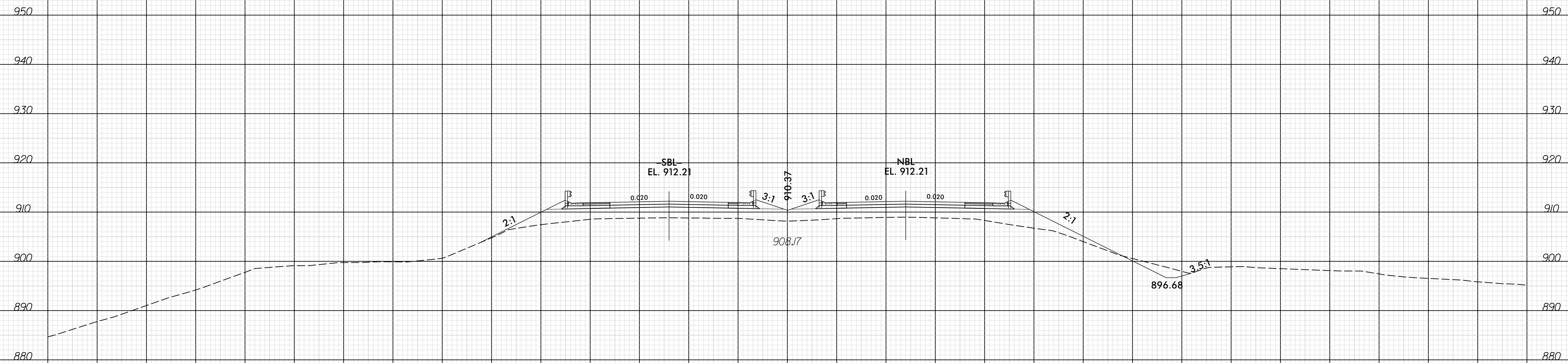
24 + 00.00



23 + 50.00



23 + 00.00



-EL-

8:27:45 AM
 T:\S\16160005_NCDOT_B5783_US29-70\DESIGN\B5783\Roadway\XSC\XSC16160005...XPL.dgn
 7/15/16 10:45 AM