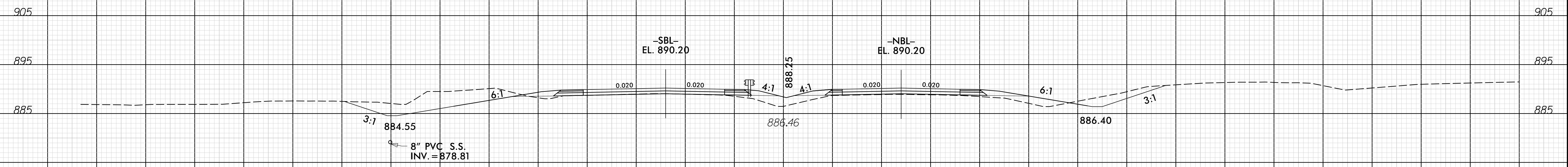
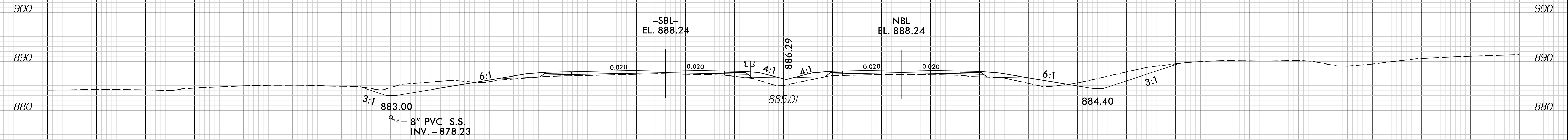


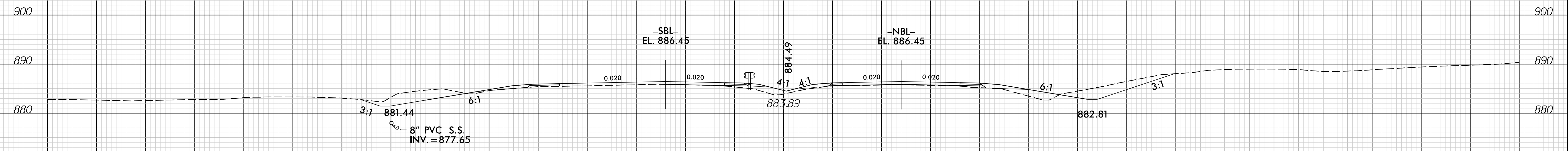
13 + 50.00



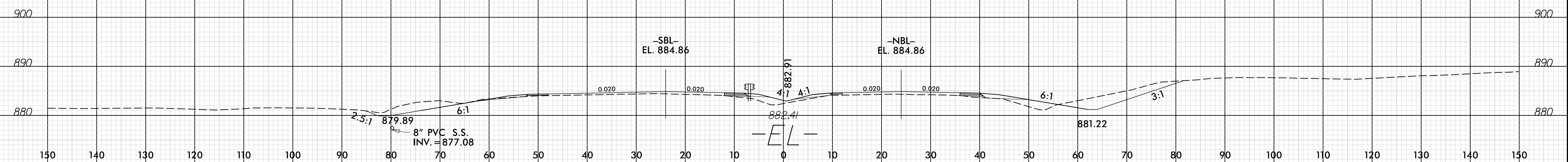
13 + 00.00



12 + 50.00



12 + 00.00



8:27:42 AM
 I:\16160005_NCDOT_B5783_US29-70\DESIGN\B5783\Roadway\XSC\16160005_xx_XPL.dgn
 User: jason