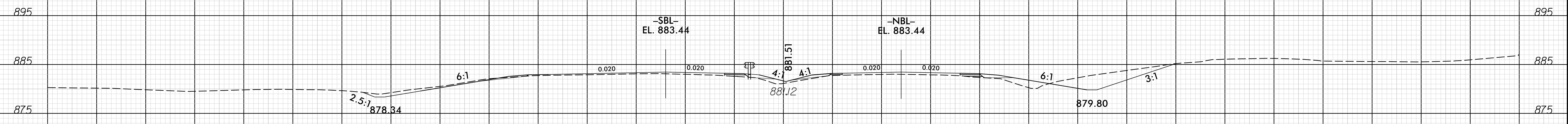
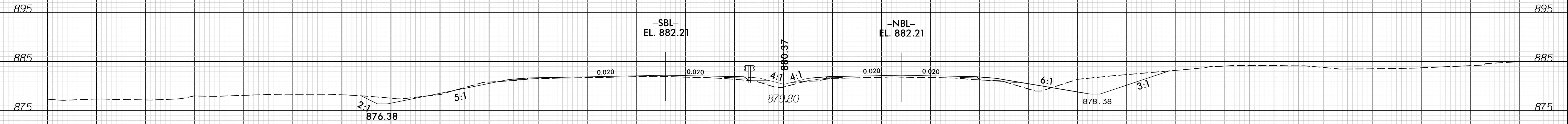


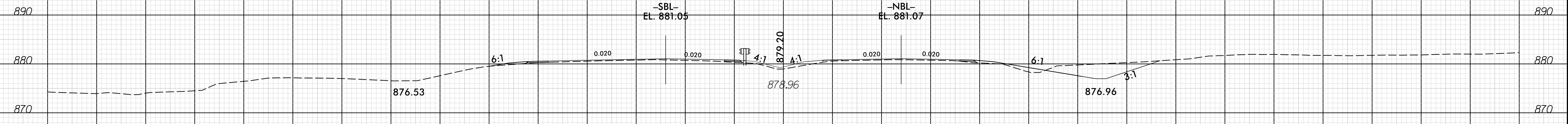
11 + 50.00



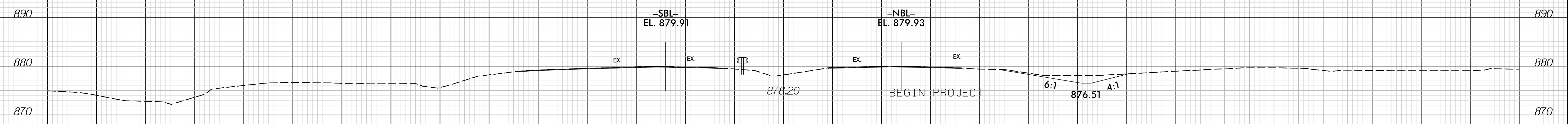
11 + 00.00



10 + 50.00



10 + 00.00



-EL-

8:27:41 AM
 I:\2016\160005_NCDOT_B5783_US29-70\DESIGN\B5783\Roadway\XSC\160005_XX_XPL.dgn
 User: jason