

Construct Templates and Plates from 1/4" min. thick Steel. Galvanizing is not required.
Base Plate Template and Anchor Bolt Lock Plate Details

MFG _____	MFG. DATE: MM/YY _____
SHAFT D/T/L/Y _____	SECTION D/T/L/Y _____
ARM-A D/T/L/Y _____	NCDOT SIG. INV. NO. _____
ARM-B D/T/L/Y _____	NCDOT POLE NO. _____
A.B. DIA./B.C./L/Y _____	
NCDOT SIG. INV. NO. _____	
NCDOT POLE NO. _____	

MFG _____	MFG. DATE: MM/YY _____
SECTION D/T/L/Y _____	NCDOT SIG. INV. NO. _____
NCDOT SIG. INV. NO. _____	NCDOT POLE NO. _____

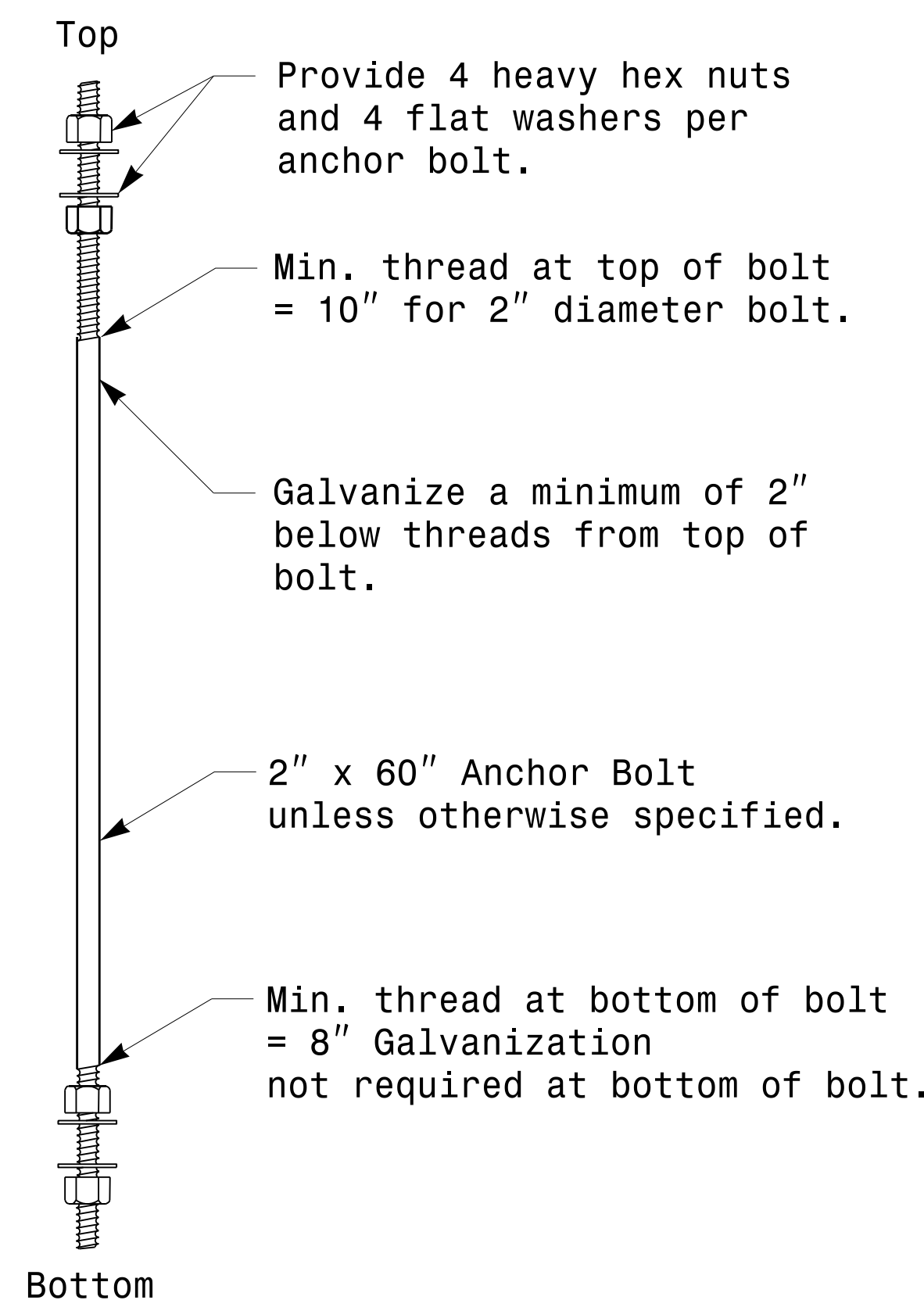
Arm I.D. Tag
 (Provide on each section of a multi-section mast arm.)

Shaft I.D. Tag
 (Provide on Shaft of Strain Poles and Mast Arm Poles Shaft)

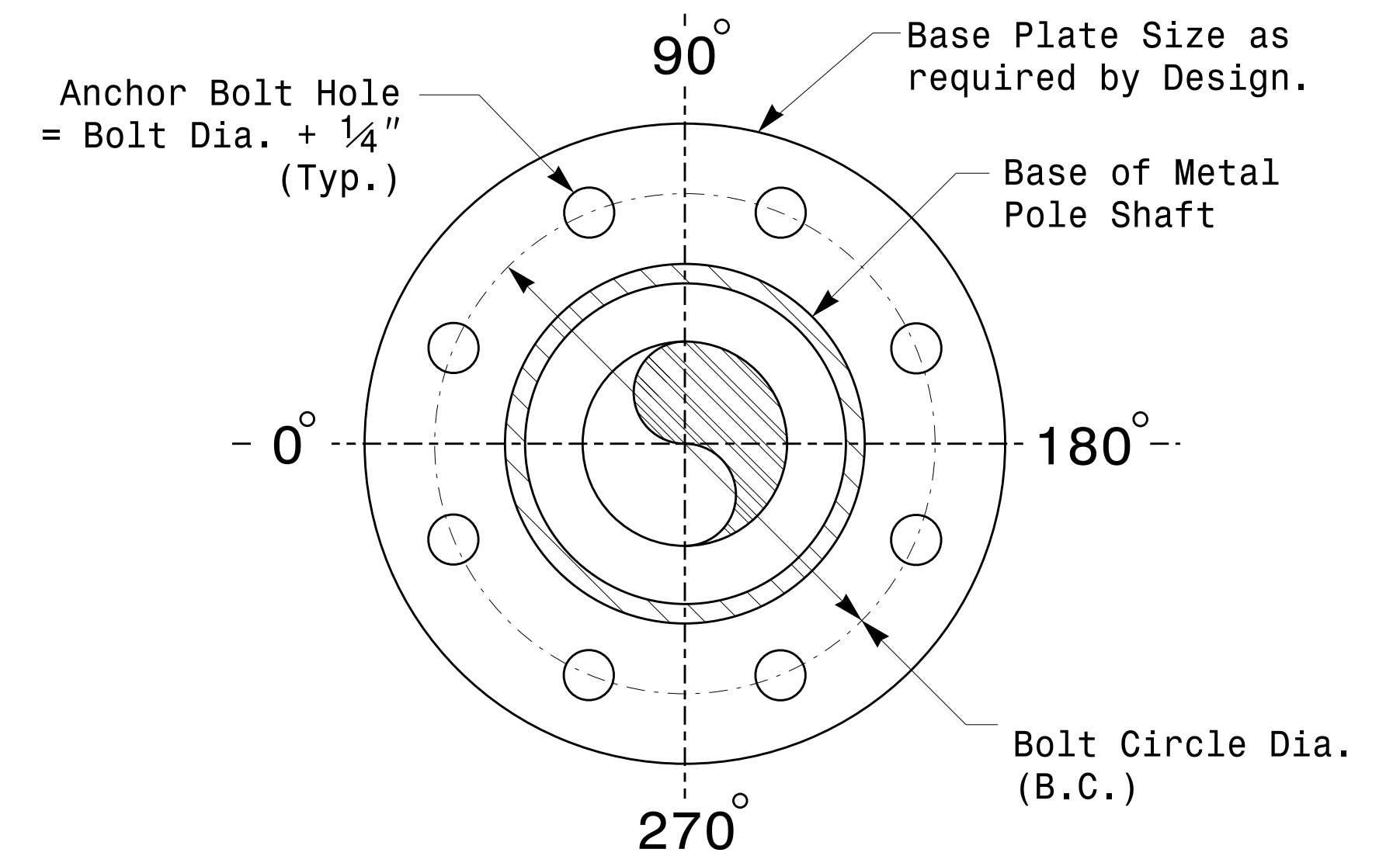
Notes:

- 1) D= Diameter, T= Thickness, L= Length, Y= Yield Strength
- 2) A.B. = Anchor Bolt
- 3) B.C. = Bolt Circle of Anchor Bolts
- 4) If Custom Design, use "NCDOT STANDARD" line for Signal Inv. Number and pole I.D. number
- 5) See drawing M3 and M4 for mounting positions of I.D. tags.

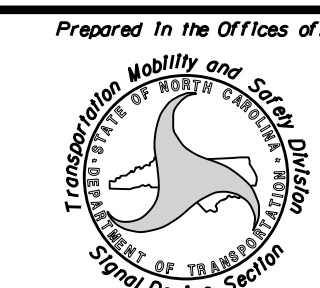
Identification Tag Details



Anchor Bolt Detail



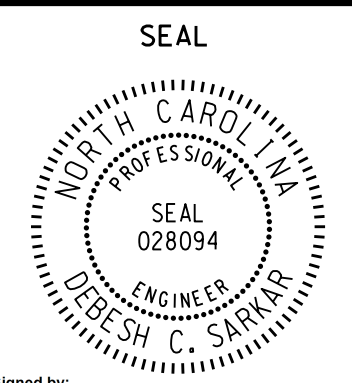
Typical Base Plate Detail



750 N. Greenfield Pkwy, Garner, NC 27529

Typical Fabrication Details For All Metal Poles

PLAN DATE: OCTOBER 2017	DESIGNED BY: C.F. ANDREWS
PREPARED BY: N. BITTING	REVIEWED BY: D.C. SARKAR
REVISIONS	INITI. DATE



DocuSign by: *Dinesh C. Sarkar* 10/11/2017
 4486328 SIGNATURE DATE

