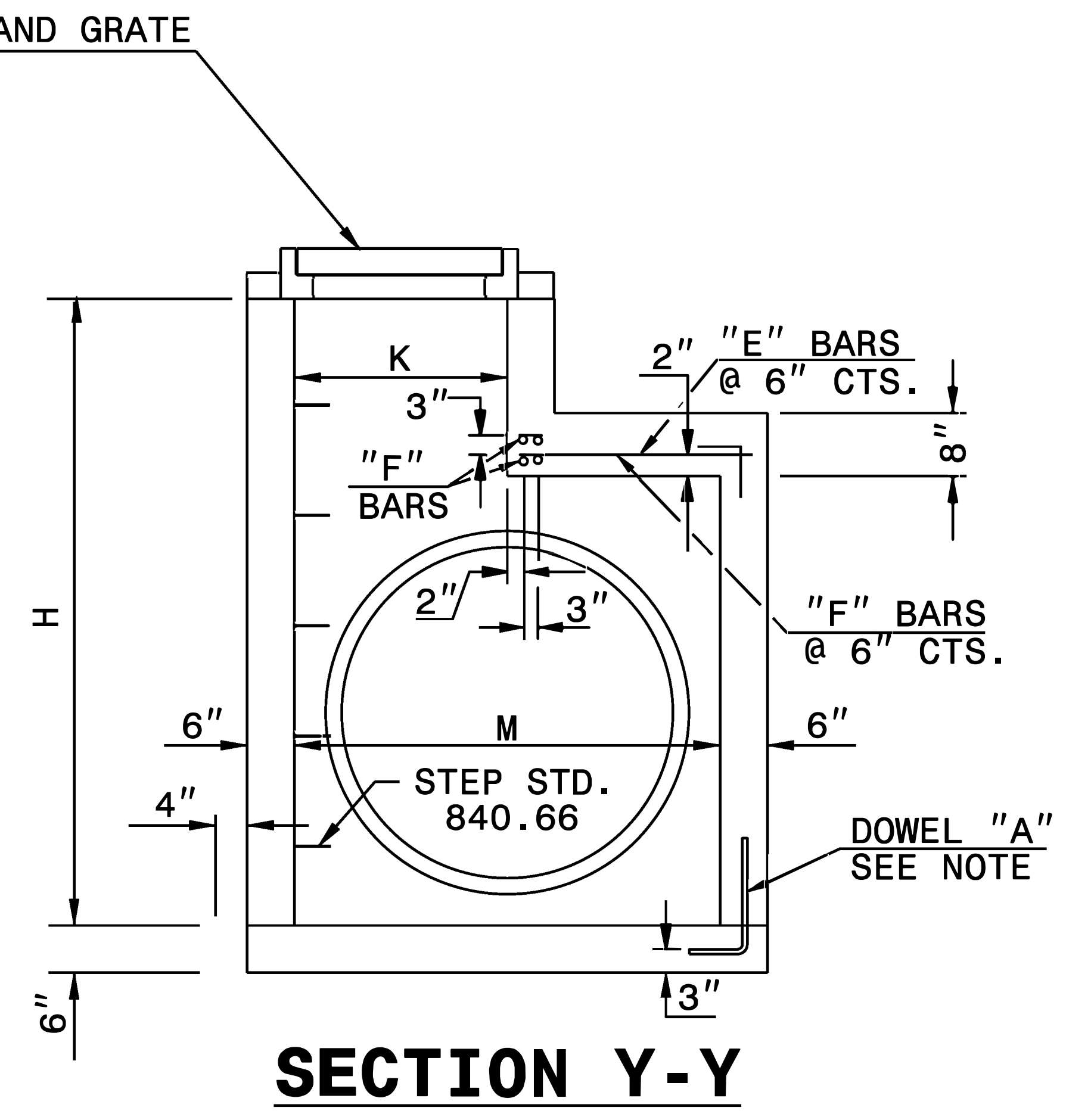
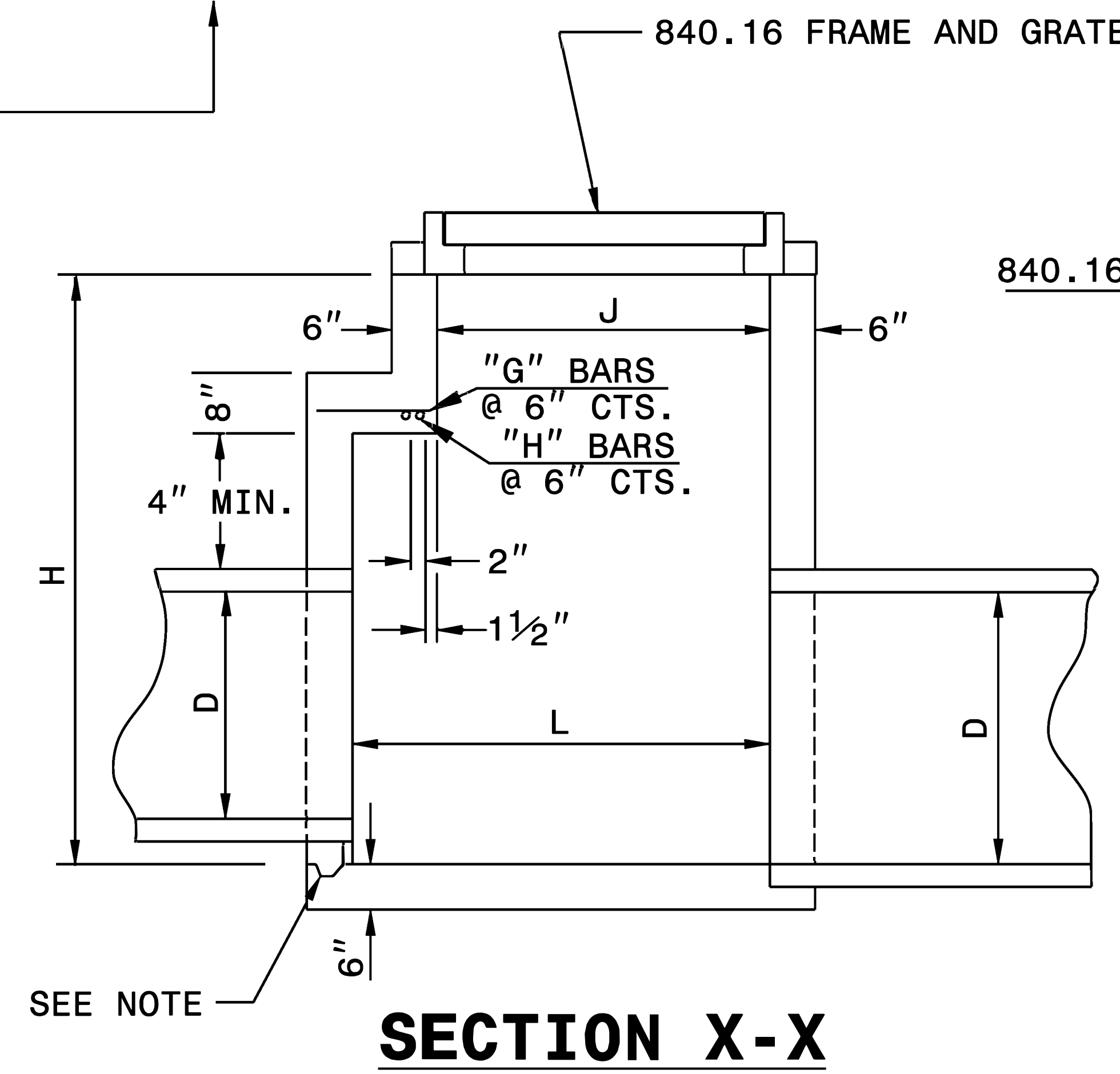


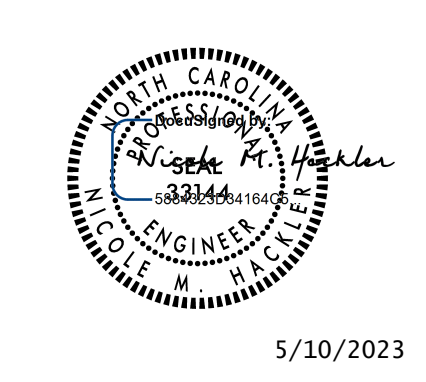
GENERAL NOTES:
 USE CLASS "B" CONCRETE THROUGHOUT.
 PROVIDE ALL DROP INLETS OVER 3'-6" IN DEPTH WITH STEPS 12" ON CENTER. USE STEPS WHICH COMPLY WITH STD. DRAWING 840.66.
 OPTIONAL CONSTRUCTION - MONOLITHIC POUR 2" KEYWAY OR #4 BAR DOWELS AT 12" CENTERS AS DIRECTED BY THE ENGINEER.
 USE FORMS FOR THE CONSTRUCTION OF THE BOTTOM SLAB.
 IF REINFORCED CONCRETE PIPE IS SET IN BOTTOM SLAB OF BOX, ADD TO SLAB AS SHOWN ON STD. NO. 840.00.
 CONSTRUCT WITH PIPE CROWNS MATCHING.
 INSTALL 2" WEEPHOLES AS DIRECTED BY THE ENGINEER.
 INSTALL STONE DRAINS, OF A MINIMUM OF 1 CUBIC FOOT OF NO. 78M STONE IN A POROUS FABRIC BAG OR WRAP, AT EACH WEEP HOLE OR AS DIRECTED BY THE ENGINEER.
 CHAMFER ALL EXPOSED CORNERS 1".
 DRAWING NOT TO SCALE.
 DIMENSIONS MAY BE FIELD ADJUSTED AS DIRECTED BY THE ENGINEER.



MIN. DIMENSIONS AND QUANTITIES FOR CONCRETE DROP INLET (BASED ON MIN. HEIGHT, H)

DIMENSIONS OF BOX AND PIPE						REINFORCING STEEL - NO. 4 BARS								CU YDS CONC. IN BOX				DEDUCTIONS FOR ONE PIPE		
PIPE	SPAN	WIDTH	SPAN	WIDTH	HEIGHT	BARS E		BARS F		BARS G		BARS H		TOTAL	BOTTOM SLAB	H	H PER FT HT	TOTAL	C.S.	R.C.
D	J	K	L	M	H	NO.	LENGTH	NO.	LENGTH	NO.	LENGTH	NO.	LENGTH	LBS.						
12"	3'-0"	2'-0"	3'-8"	2'-0"	3'-9"	—	—	—	—	—	—	—	—	—	0.362	0.926	0.247	1.288	0.015	0.024
15"	3'-0"	2'-0"	3'-8"	2'-0"	4'-0"	—	—	—	—	—	—	—	—	—	0.362	0.988	0.247	1.350	0.023	0.036
18"				2'-0"	4'-3"	—	—	—	—	—	—	—	—	—	0.362	1.050	0.247	1.412	0.033	0.049
24"				2'-10"	4'-9"	8	1'-5"	6	4'-9"	—	—	—	—	27	0.444	1.362	0.278	1.806	0.059	0.085
30"				3'-8"	3'-5"	8	2'-0"	7	4'-9"	—	—	—	—	33	0.502	1.644	0.288	2.146	0.092	0.127
36"				4'-0"	4'-0"	8	2'-5"	8	4'-11"	4	0'-9"	2	4'-11"	47	0.560	1.931	0.321	2.525	0.132	0.178
42"				4'-10"	4'-10"	10	3'-1"	9	5'-7"		1'-5"	3	5'-7"	67	0.704	2.500	0.370	3.282	0.180	0.243
48"				5'-4"	5'-4"	11	3'-7"	10	6'-1"		1'-11"	4	6'-1"	87	0.823	3.013	0.407	3.920	0.235	0.317
54"				6'-0"	6'-0"	12	4'-1"	11	6'-7"		2'-5"	5	6'-7"	107	0.951	3.589	0.444	4.677	0.297	0.401
60"				6'-6"	6'-6"	13	4'-9"	12	7'-3"		3'-1"	6	7'-3"	135	1.311	4.539	0.494	5.775	0.367	0.495
66"				7'-2"	7'-2"	14	5'-4"	14	7'-10"		3'-7"	7	7'-10"	168	1.136	5.061	0.537	6.506	0.444	0.599
72"	3'-0"	2'-0"	7'-8"	7'-8"	8'-9"	15	5'-11"	15	8'-5"	4	4'-3"	8	8'-5"	199	1.500	5.860	0.580	7.473	0.528	0.713

\$\$\$\$\$\$SYTIME\$\$\$\$\$\$
 \$\$\$\$\$\$PLANS\$\$\$\$\$\$
 \$\$\$\$\$\$DATE\$\$\$\$\$\$
 \$\$\$\$\$\$USER\$\$\$\$\$\$
 \$\$\$\$\$\$PRINTER\$\$\$\$\$\$



5/10/2023

DOCUMENT NOT CONSIDERED FINAL
UNLESS ALL SIGNATURES COMPLETED

**CONTRACT STANDARDS
AND DEVELOPMENT UNIT**
Office 919-707-6950 FAX 919-250-4119

SPECIAL DI 840D14

ORIGINAL BY: J. HOWERTON DATE: 04/11/17
 MODIFIED BY: DATE:
 CHECKED BY: DATE:
 FILE SPEC.: detail/jhowerton/840d14 di 30 rcc.dgn