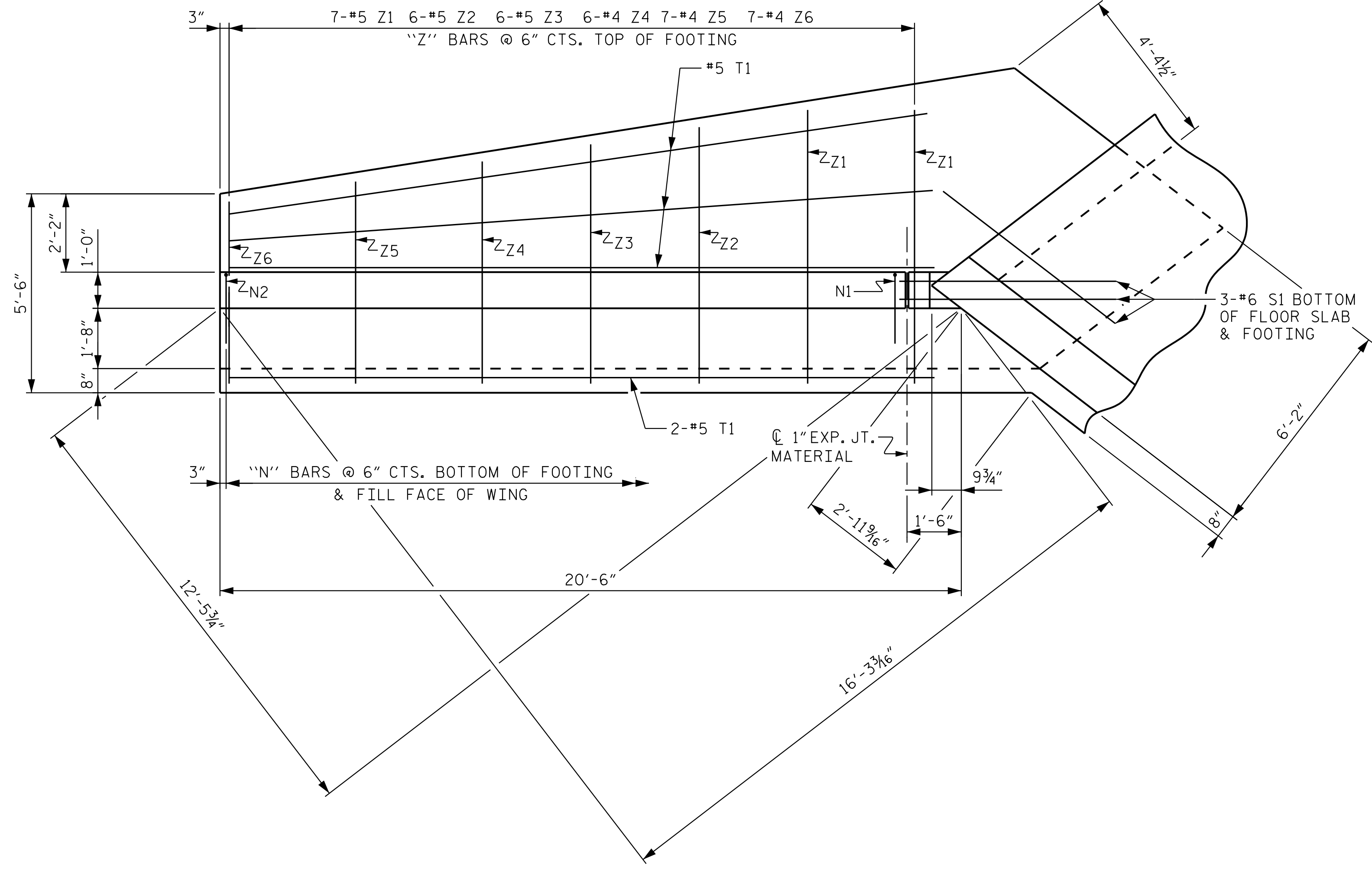
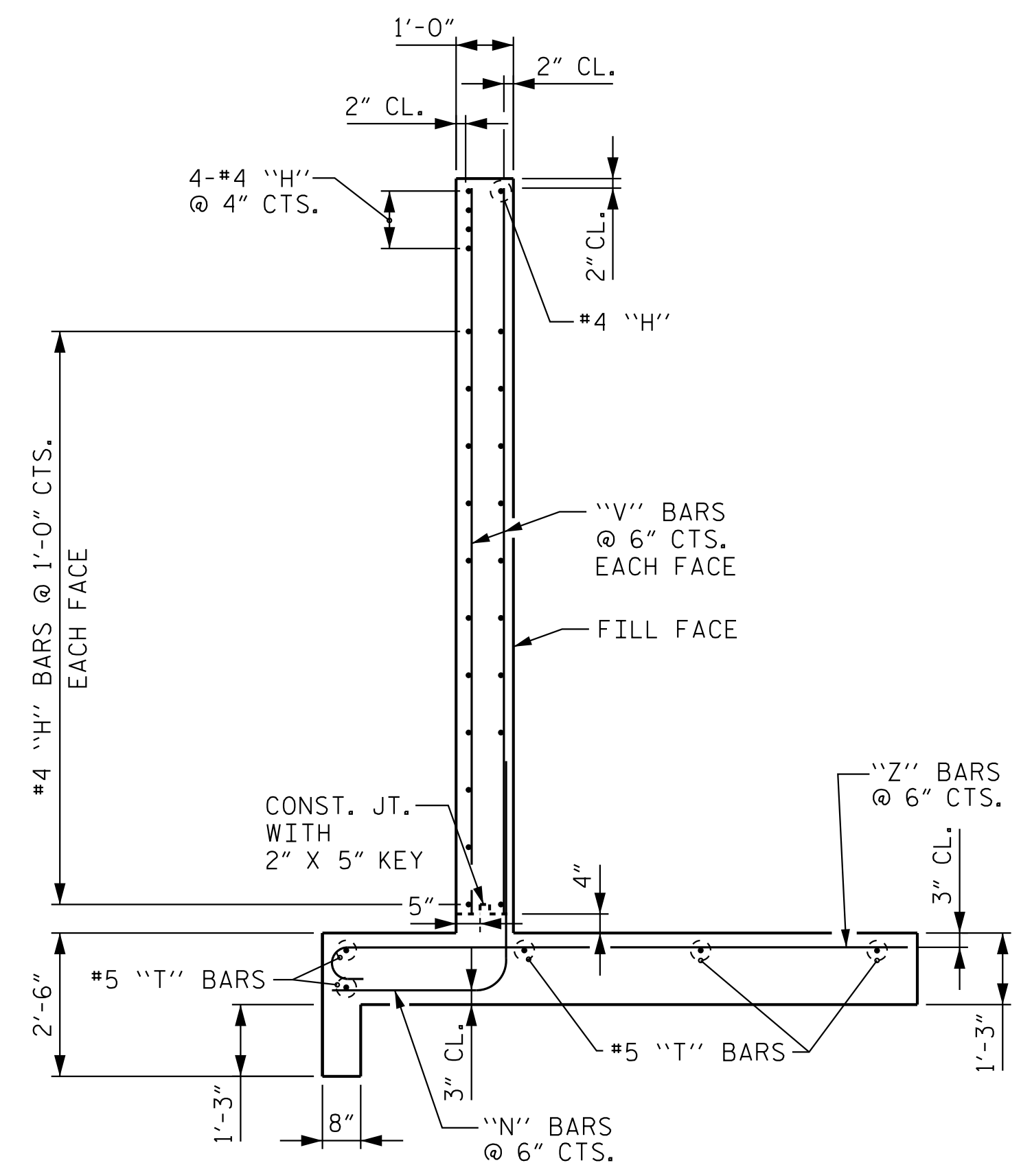


### NOTES

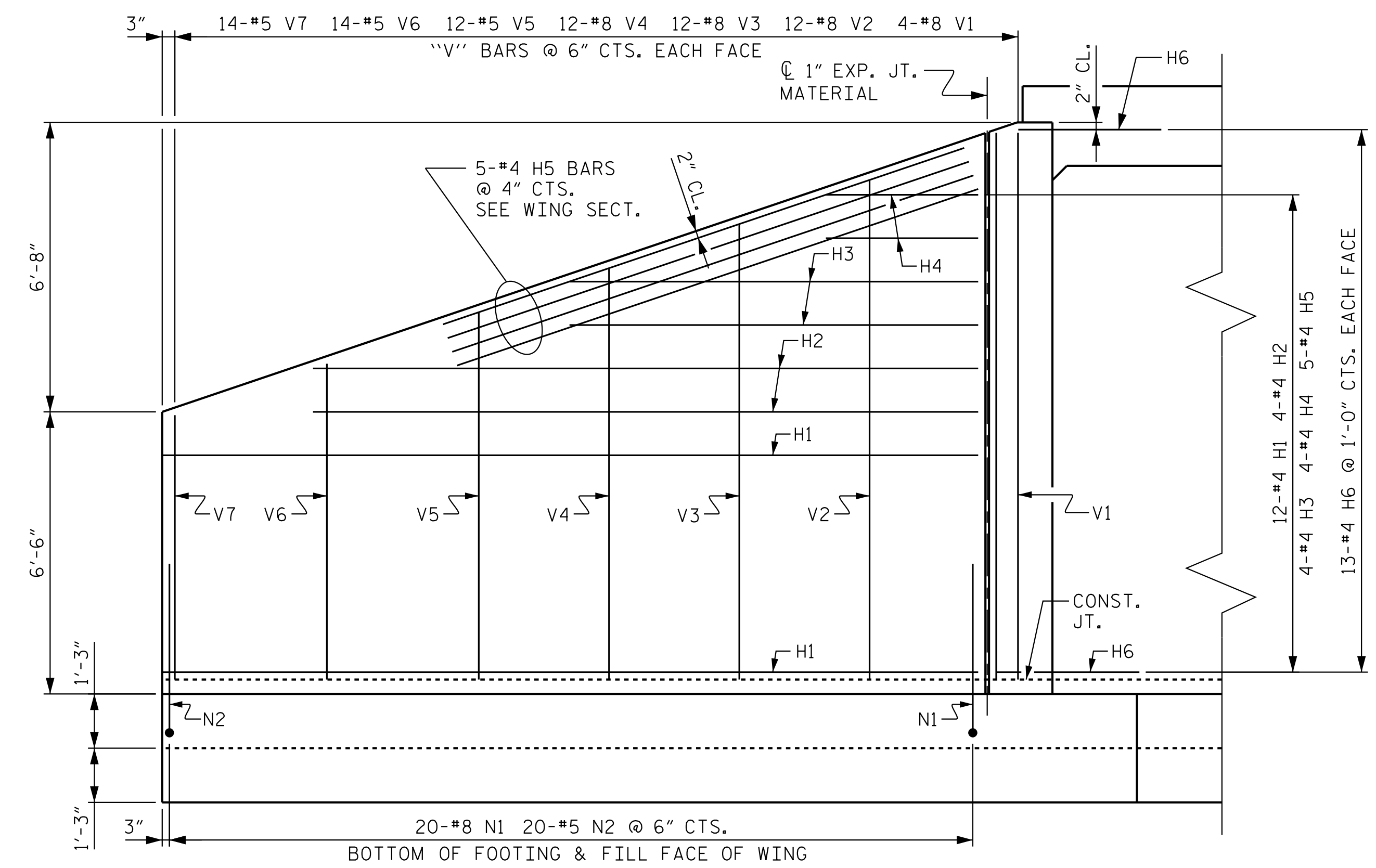
SEE SHEET C1-5 FOR BILL OF MATERIAL.



PLAN W1



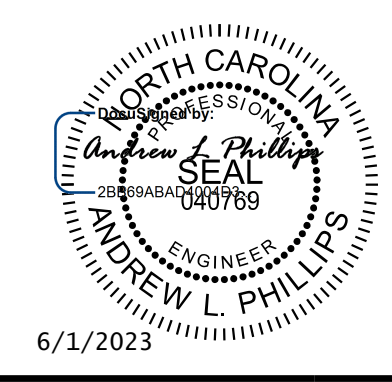
TYPICAL WING SECTION



ELEVATION W1

PROJECT NO. R-5930A  
CHATHAM COUNTY  
 STATION: 67+92.00 -L-

SHEET 4 OF 6



**Kimley»Horn**  
 421 Fayetteville Street, Suite 600  
 Raleigh, NC 27601-1772  
 Phone (919) 677-2000 NC LICENSE # F-0102

STATE OF NORTH CAROLINA  
 DEPARTMENT OF TRANSPORTATION  
 RALEIGH

WING DETAILS FOR  
 CONCRETE BOX CULVERT

H = 12'-0" SLOPE = 2:1  
 105° SKEW

REVISIONS						SHEET NO.
NO.	BY:	DATE:	NO.	BY:	DATE:	C1-4
1			3			TOTAL SHEETS
2			4			6

**DOCUMENT NOT CONSIDERED FINAL UNLESS ALL SIGNATURES COMPLETED**

K:\BIDI\_Structures\Calver\NC\01036532 - R-5930 - North CPW\Calver\N-5930A\410-001\_R5930A\_SML\_C104.dgn

DRAWN BY: D. D. LOWERY DATE: 01/2023  
 CHECKED BY: C. I. POOLE DATE: 01/2023  
 DESIGN ENGINEER OF RECORD: A. L. PHILLIPS DATE: 01/2023