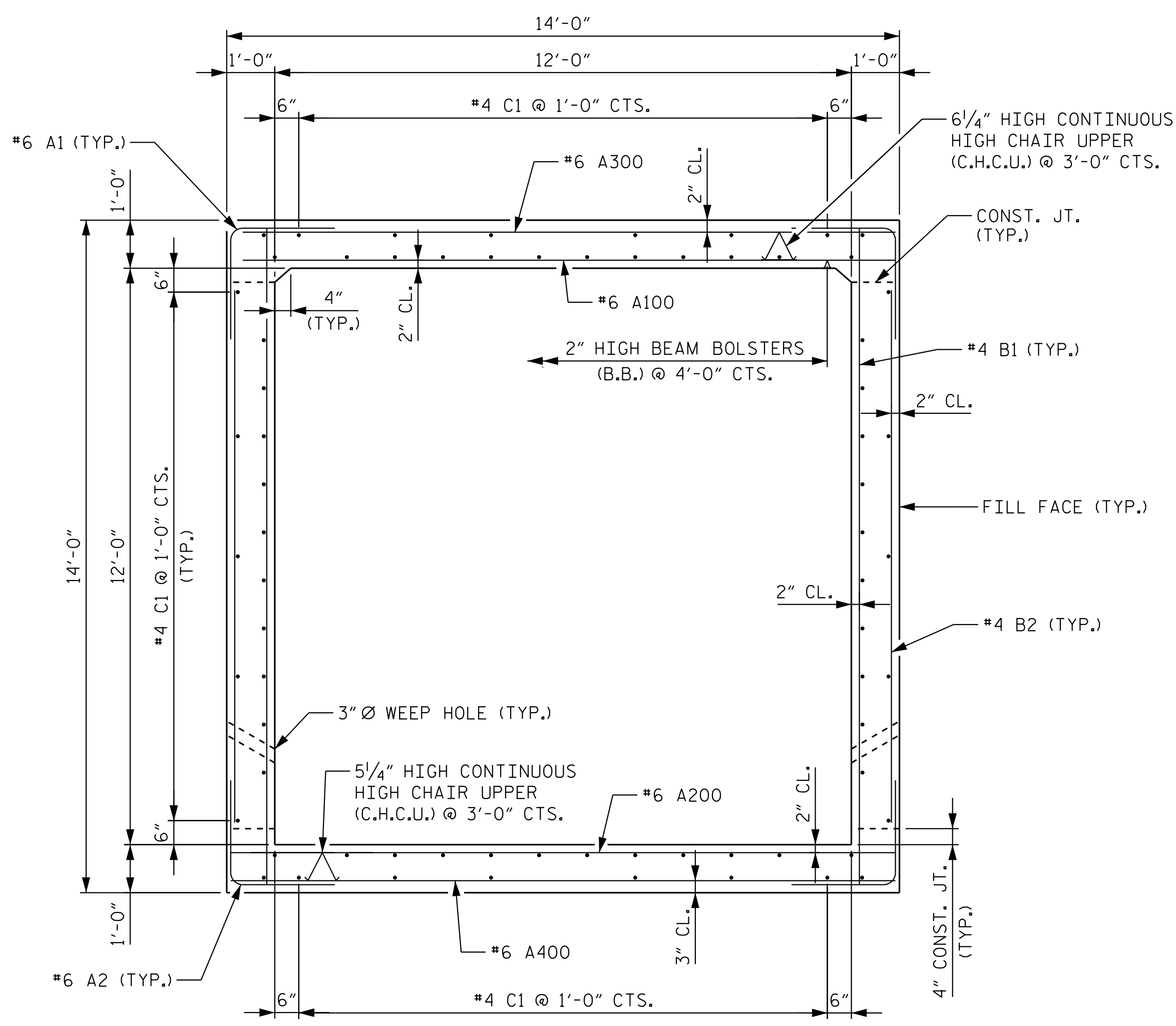
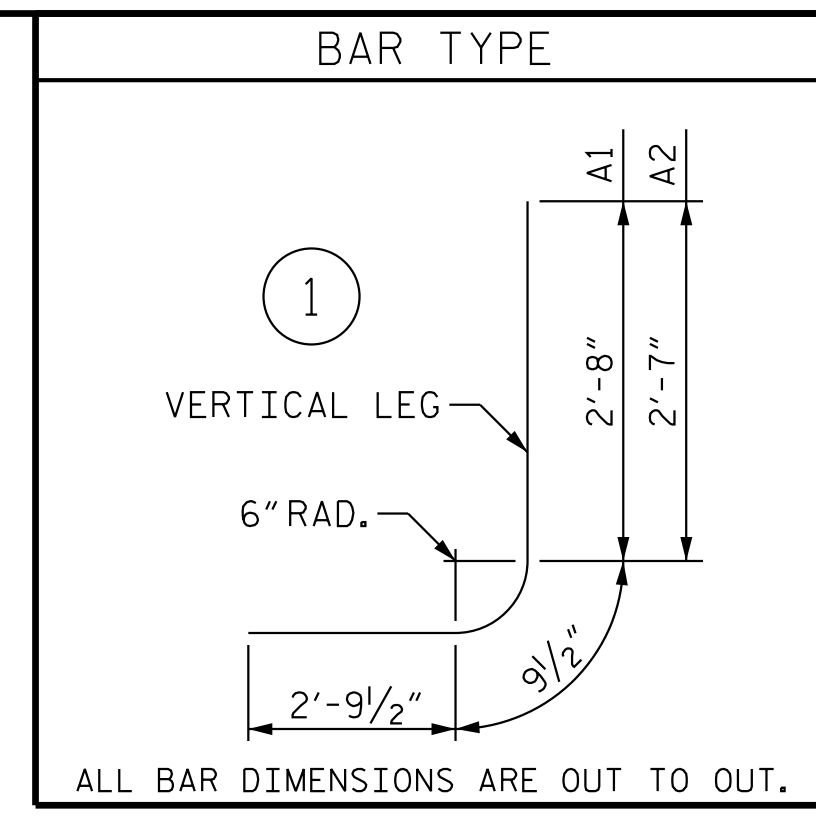


CULVERT SECTION NORMAL TO ROADWAY



RIGHT ANGLE SECTION OF BARREL
THERE ARE 70 C1 BARS IN SECTION OF BARREL

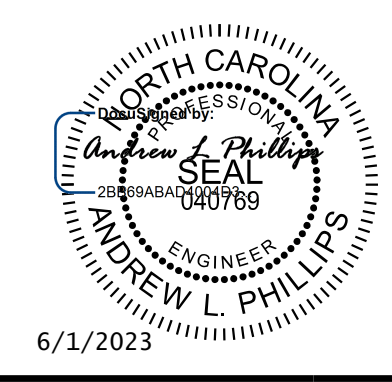


BAR TYPE		BILL OF MATERIAL				
BAR NO.	SIZE	TYPE	LENGTH	WEIGHT		
A1	622	6	1	6'-3"	5,839	
A2	622	6	1	6'-2"	5,761	
A100	305	6	STR	13'-8"	6,261	
A101	2	6	STR	11'-9"	35	
A102	2	6	STR	9'-11"	30	
A103	2	6	STR	8'-0"	24	
A104	2	6	STR	6'-2"	19	
A105	2	6	STR	4'-3"	13	
A106	4	6	STR	2'-5"	15	
A200	305	6	STR	13'-8"	6,261	
A201	2	6	STR	11'-9"	35	
A202	2	6	STR	9'-11"	30	
A203	2	6	STR	8'-0"	24	
A204	2	6	STR	6'-2"	19	
A205	2	6	STR	4'-3"	13	
A206	4	6	STR	2'-5"	15	
A300	305	6	STR	13'-8"	6,261	
A301	2	6	STR	11'-9"	35	
A302	2	6	STR	9'-11"	30	
A303	2	6	STR	8'-0"	24	
A304	2	6	STR	6'-2"	19	
A305	2	6	STR	4'-3"	13	
A306	4	6	STR	2'-5"	15	
A400	305	6	STR	13'-8"	6,261	
A401	2	6	STR	11'-9"	35	
A402	2	6	STR	9'-11"	30	
A403	2	6	STR	8'-0"	24	
A404	2	6	STR	6'-2"	19	
A405	2	6	STR	4'-3"	13	
A406	4	6	STR	2'-5"	15	
B1	622	4	STR	13'-7"	5,644	
B2	622	4	STR	11'-4"	4,709	
C1	350	4	STR	33'-1"	7,735	
G1	8	5	STR	14'-1"	118	
S1	12	8	STR	14'-1"	451	
REINFORCING STEEL				LBS.	55,845	

BAR SIZE	SPLICE LENGTH
#4 B1	1'-10"
#4 C1	2'-5"

PROJECT NO. R-5930A
CHATHAM COUNTY
 STATION: 67+92.00 -L-

SHEET 2 OF 6



Kimley»Horn
 421 Fayetteville Street, Suite 600
 Raleigh, NC 27601-1772
 Phone (919) 677-2000 NC LICENSE # F-0102

STATE OF NORTH CAROLINA
 DEPARTMENT OF TRANSPORTATION
 RALEIGH
 SINGLE 12 FT. X 12 FT.
 CONCRETE BOX CULVERT
 100° SKEW

REVISIONS						SHEET NO.
NO.	BY:	DATE:	NO.	BY:	DATE:	C1-2
1			3			TOTAL SHEETS
2			4			6

**DOCUMENT NOT CONSIDERED FINAL
 UNLESS ALL SIGNATURES COMPLETED**

K:\ARDI_Structures\Culvert\NC\011036532 - R-5930 - North CPW\ConDraw\AR-5930A\410-003_R5930A_SML_C102.dgn

DRAWN BY: D. D. LOWERY DATE: 01/2023
 CHECKED BY: C. I. POOLE DATE: 01/2023
 DESIGN ENGINEER OF RECORD: A. L. PHILLIPS DATE: 01/2023