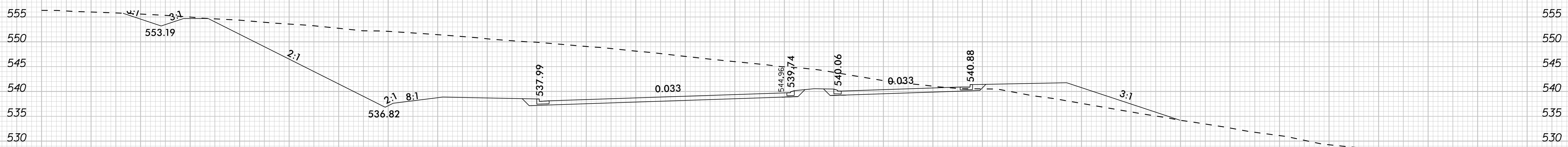
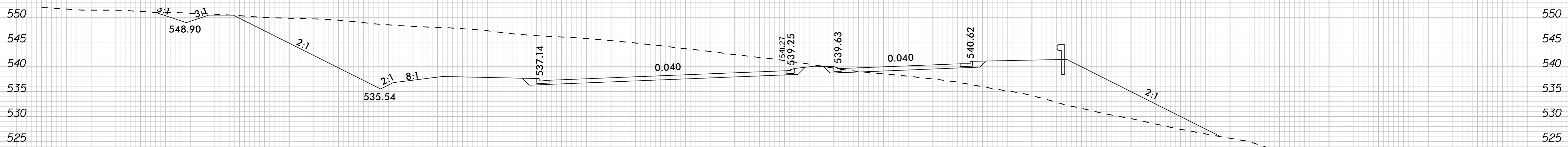


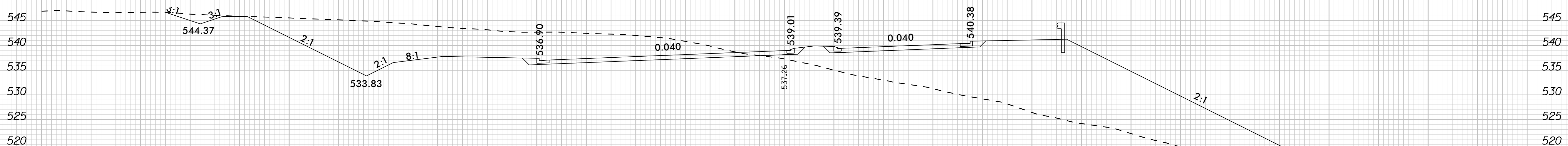
45 + 50.00



45 + 00.00



44 + 50.00



44 + 00.00

-L- CHATHAM PARK WAY