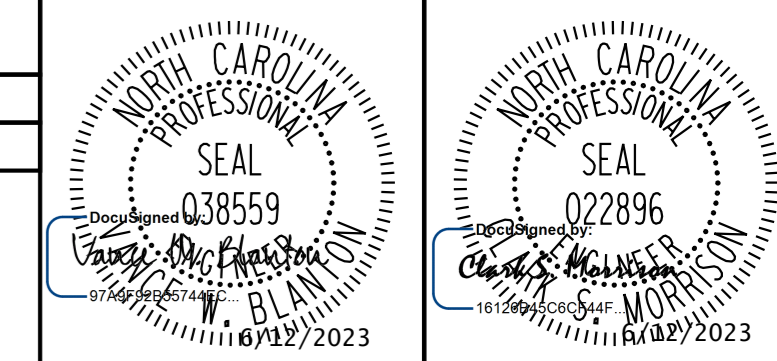
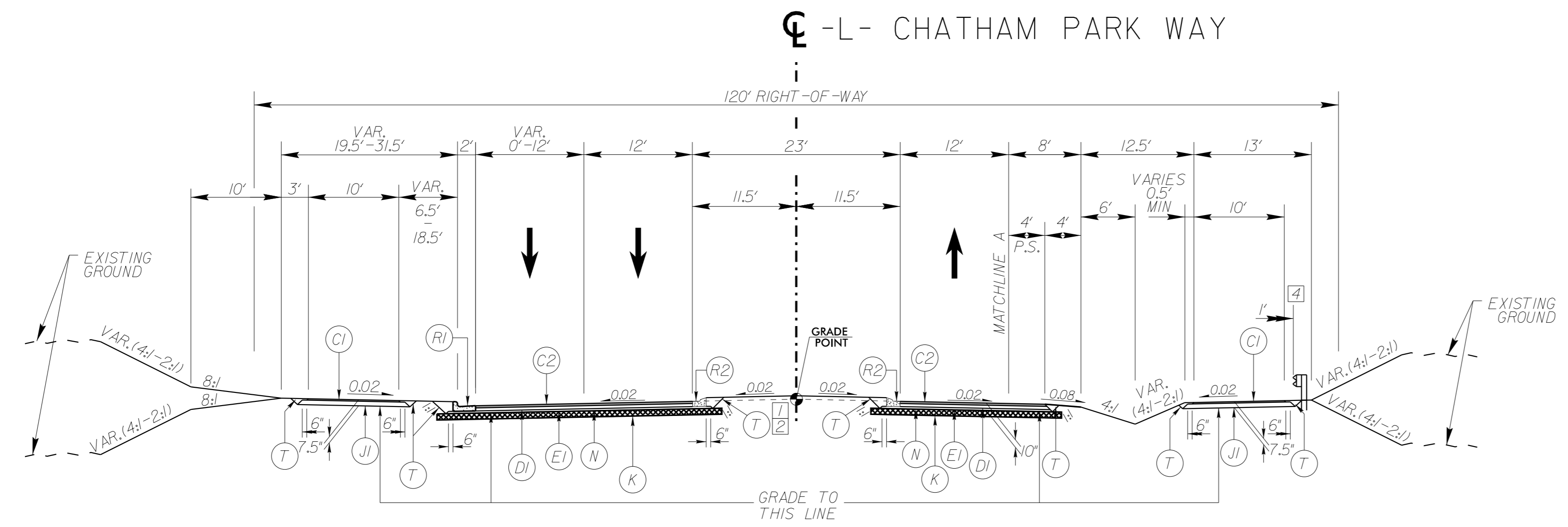


5/14/1999

PROJECT REFERENCE NO. R-5930A		SHEET NO. 2A-2	
ROADWAY DESIGN ENGINEER		PAVEMENT DESIGN ENGINEER	
421 FAYETTEVILLE STREET, SUITE 600 RALEIGH, NC 27601			
RIGHT-OF-WAY REV.		CONST. REV.	

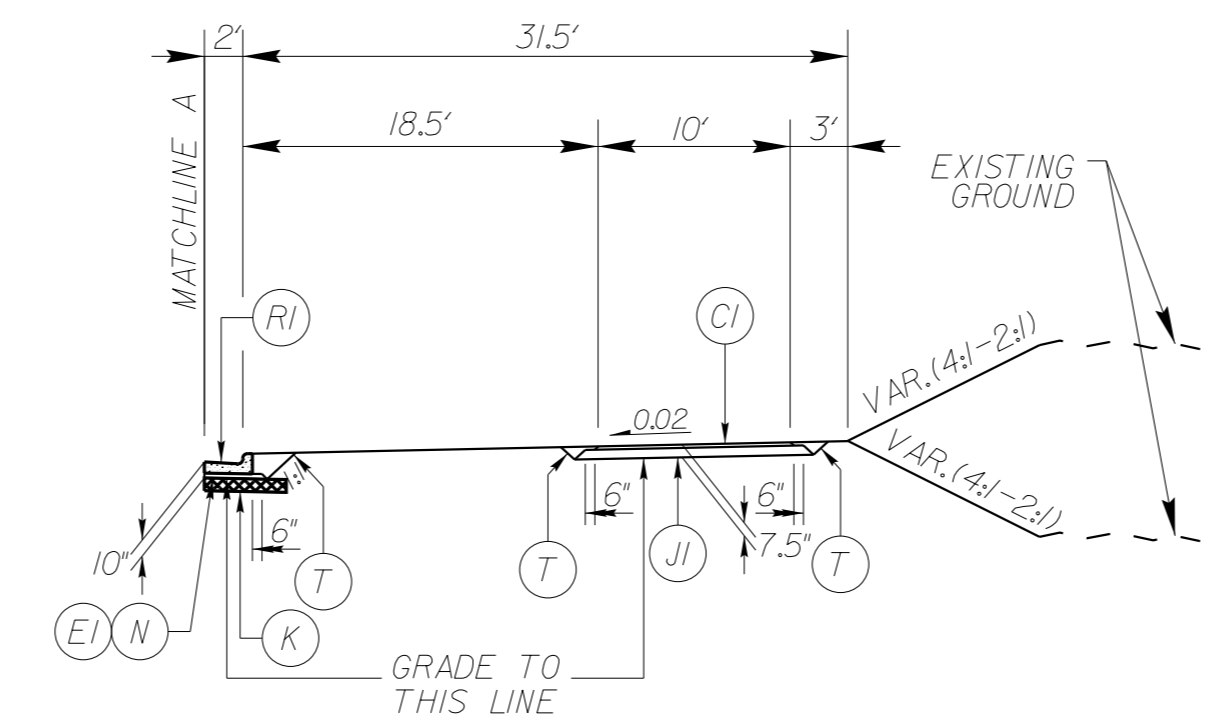


**DOCUMENT NOT CONSIDERED FINAL
UNLESS ALL SIGNATURES COMPLETED**



TYPICAL SECTION NO. 3

-L- STA 84+41.99 TO 87+00.00



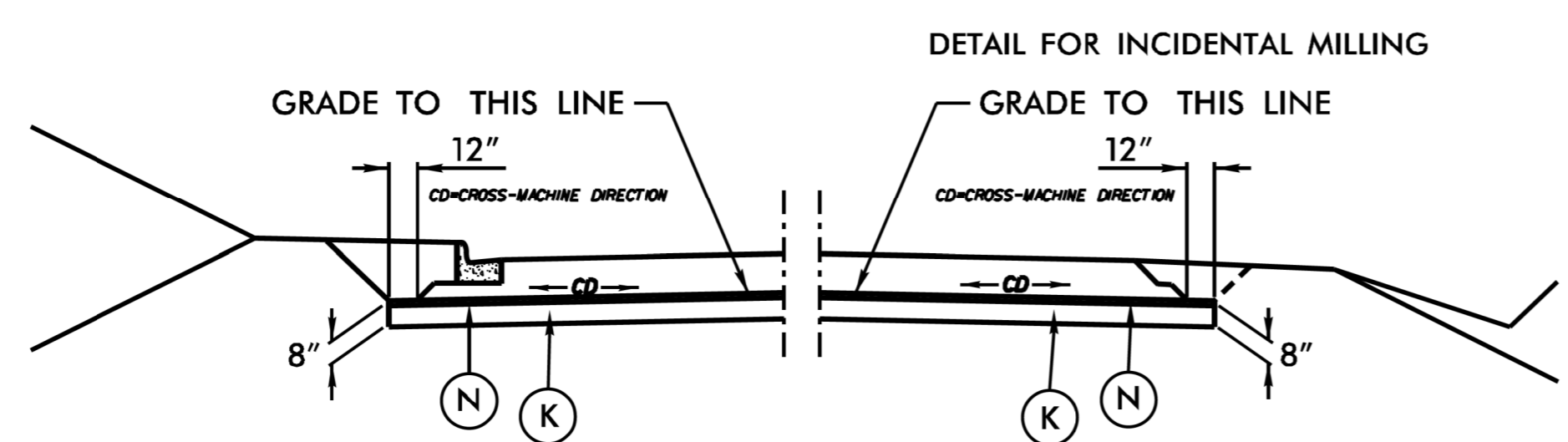
TYPICAL SECTION NO. 3A

-L- STA 84+41.99 TO 85+25.00

PAVEMENT EDGE SLOPES ARE 1:1 UNLESS OTHERWISE INDICATED

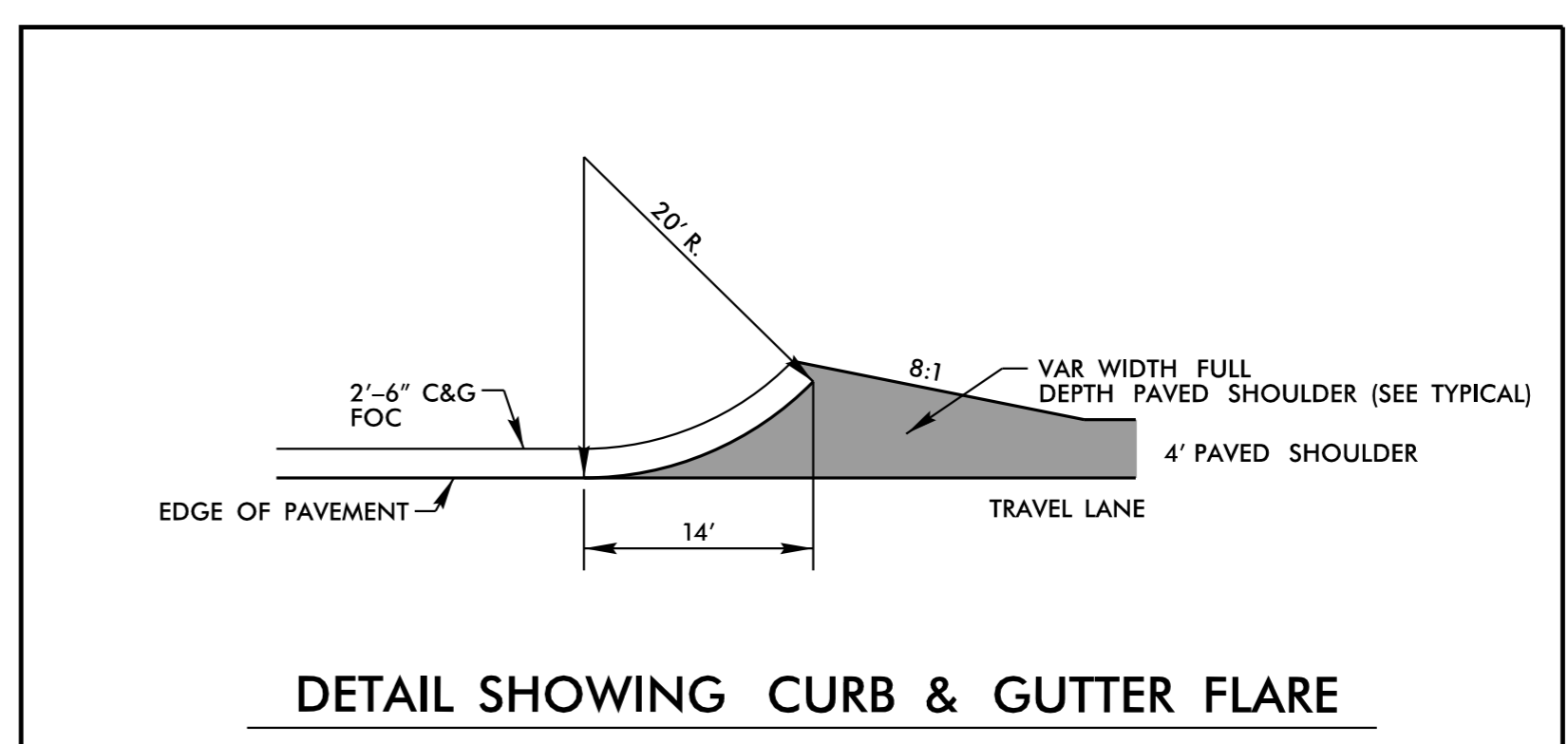
- 1 SEE PLANS AND CROSS SECTIONS FOR MEDIAN TYPES AND LOCATIONS
- 2 SEE PLANS FOR TURN LANE LOCATIONS
- 3 SEE DETAIL SHOWING METHOD OF SAWCUT, SHEET 2A-1
- 4 FACE OF GUARDRAIL TO BE PLACED 1' BEHIND MULTI-USE PATH. SEE PLANS FOR SPECIFIC GUARDRAIL LOCATIONS

GEOTEXTILE FOR SUBGRADE STABILIZATION



USE GEOTEXTILE FOR SUBGRADE STABILIZATION WITH CHEMICAL STABILIZATION FOR:

- L- 43+50 TO 44+50 (RT)
- L- 55+50 TO 57+00 (LT, RT)
- L- 57+00 TO 57+50 (RT)
- L- 67+50 TO 71+50 (LT, RT)
- L- 81+25 TO 82+50 (LT, RT)
- L- 82+50 TO 84+75 (CL)



DETAIL SHOWING CURB & GUTTER FLARE

PAVEMENT SCHEDULE
(FINAL PAVEMENT DESIGN)

CI	1.5' S9.5B
C2	3' S9.5B
DI	4' 119.0C
EI	3' B25.0C
JI	6' ABC
K	CHEMICALLY STABILIZED SUBGRADE
N	GEOTEXTILE FOR SUBGRADE STAB.
R1	2'-6" CONCRETE CURB & GUTTER
R2	1'-6" CONCRETE CURB & GUTTER
T	EARTH MATERIAL
U	EXISTING PAVEMENT
VI	1.5' MILLING

K:\RAL_Roadway\01036532 - R-5930 North CPW\Roadway\Pro\R-5930A_rdy_typ.dgn

6/9/2023