

NEW UNDERGROUND SPLICE ENCLOSURE
US 401 (LOUISBURG ROAD) AT
LELAND DRIVE
SIG. INV. # 05-2281

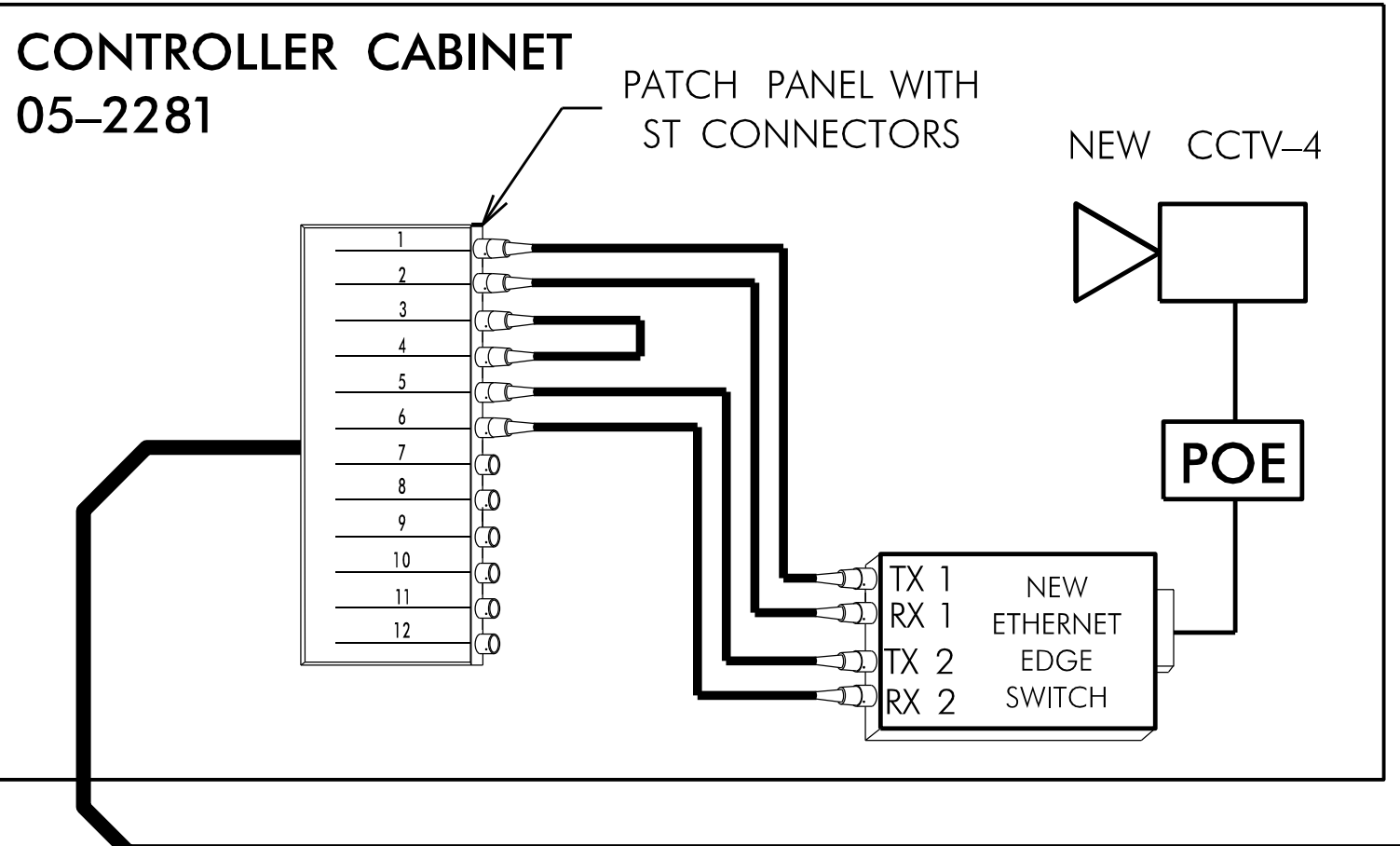
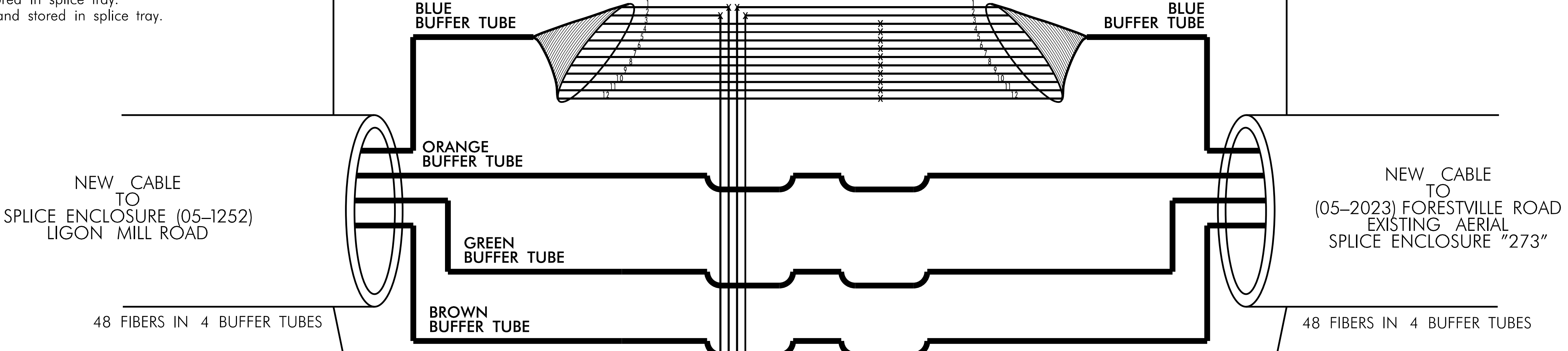
LEGEND

COLOR CODE TIA/EIA 598-A	
(1) BLUE	(7) RED
(2) ORANGE	(8) BLACK
(3) GREEN	(9) YELLOW
(4) BROWN	(10) VIOLET
(5) SLATE	(11) ROSE
(6) WHITE	(12) AQUA

X = NEW FUSION SPLICE INDIVIDUAL FIBER
C = CAP, COIL, AND SEAL

Notes:
Unused fibers left coiled and stored in splice tray.
Unused Buffer Tubes left coiled and stored in splice tray.

NEW UNDERGROUND SPLICE ENCLOSURE



NEW DROP CABLE ASSEMBLY


1. FIVE (5) DAYS PRIOR TO BEGINNING WORK ON THE SIGNAL SYSTEM, CONTACT THE RALEIGH SIGNAL SYSTEM OFFICE, CHRIS JEFFERSON, AT (919) 996-4064 TO ARRANGE FOR THE ENGINEER TO PROGRAM THE NEW FIELD ETHERNET SWITCHES WITH THE NECESSARY NETWORK CONFIGURATION DATA, INCLUDING BUT NOT LIMITED TO: THE PROJECT IP ADDRESS, DEFAULT GATEWAY, SUBNET MASK AND VLAN ID INFORMATION. NOTIFY THE ENGINEER AFTER ALL WORK IS PERFORMED TO ENSURE THAT ALL FIBER CIRCUITS ARE FUNCTIONING PROPERLY. WORK IS NOT COMPLETE UNTIL THE SIGNAL SYSTEM IS BACK UP AND OPERATIONAL
2. CONTRACTOR TO RECORD EXISTING SPLICE ARRANGEMENT FOR COMPARISON TO THE SUPPLIED SPLICE DETAILS. IF DISCREPANCIES EXIST, CONTACT THE ENGINEER TO DETERMINE HOW TO PROCEED WITH RESPLICING. PROVIDE AS-BUILT PLANS TO THE ENGINEER IF FINAL SPLICE ARRANGEMENT DIFFERS FROM THE SUPPLIED SPLICE DETAILS.
3. ETHERNET SWITCH TERMINATION CONFIGURATIONS ARE GENERIC. CONTRACTOR IS RESPONSIBLE FOR DETERMINING \ ENSURING PROPER TERMINATIONS.
4. INCLUDE ON THE COVER OF EACH SPLICE TRAY THE FOLLOWING:
REFERENCE SECTION 1731 "FIBER OPTIC SPLICE ENCLOSURE"

1) SPLICE LOCATION
2) DATE
3) COMPANY NAME
4) NAME OF INDIVIDUAL PERFORMING THE SPLICING

PRIOR TO INSTALLING THE COVER ON THE SPLICE TRAY TAKE A DIGITAL PHOTOGRAPH SHOWING THE SPLICE TRAY AND INFORMATION SHOWN ABOVE (1-4) AND SUBMIT PHOTOGRAPH ALONG WITH OTDR TEST RESULTS.

DOCUMENT NOT CONSIDERED FINAL
UNLESS ALL SIGNATURES COMPLETED

Prepared for the Offices of:



**Post-Let
Raleigh Signal System
Splice Details**

Division 5 Wake County Raleigh

PLAN DATE: Jan 2023 REVIEWED BY: H.M. Surti

PREPARED BY: A. Ravipti REVIEWED BY:

REVISIONS INIT. DATE

SCALE 0 NA N.T.S.

SEAL
STATE OF NORTH CAROLINA
PROFESSIONAL ENGINEER
SEAL 034481
HEWANG M. SURTI

DocuSigned by:
Hewang M. Surti 1/24/2023

AECOM
NC Firm License No.: F-0342
5438 Wade Park Boulevard
Suite 200 Raleigh, NC 27607
Phone: 919-461-1100

1/24/2023 10:45:00 AM D:\Projects\2023\05-2281\05-2281.dwg L:\gcn\m\l\m\2023-05-2281\05-2281.dwg L:\gcn\m\l\m\2023-05-2281\05-2281.dwg L:\gcn\m\l\m\2023-05-2281\05-2281.dwg