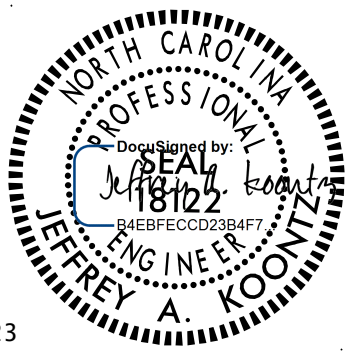
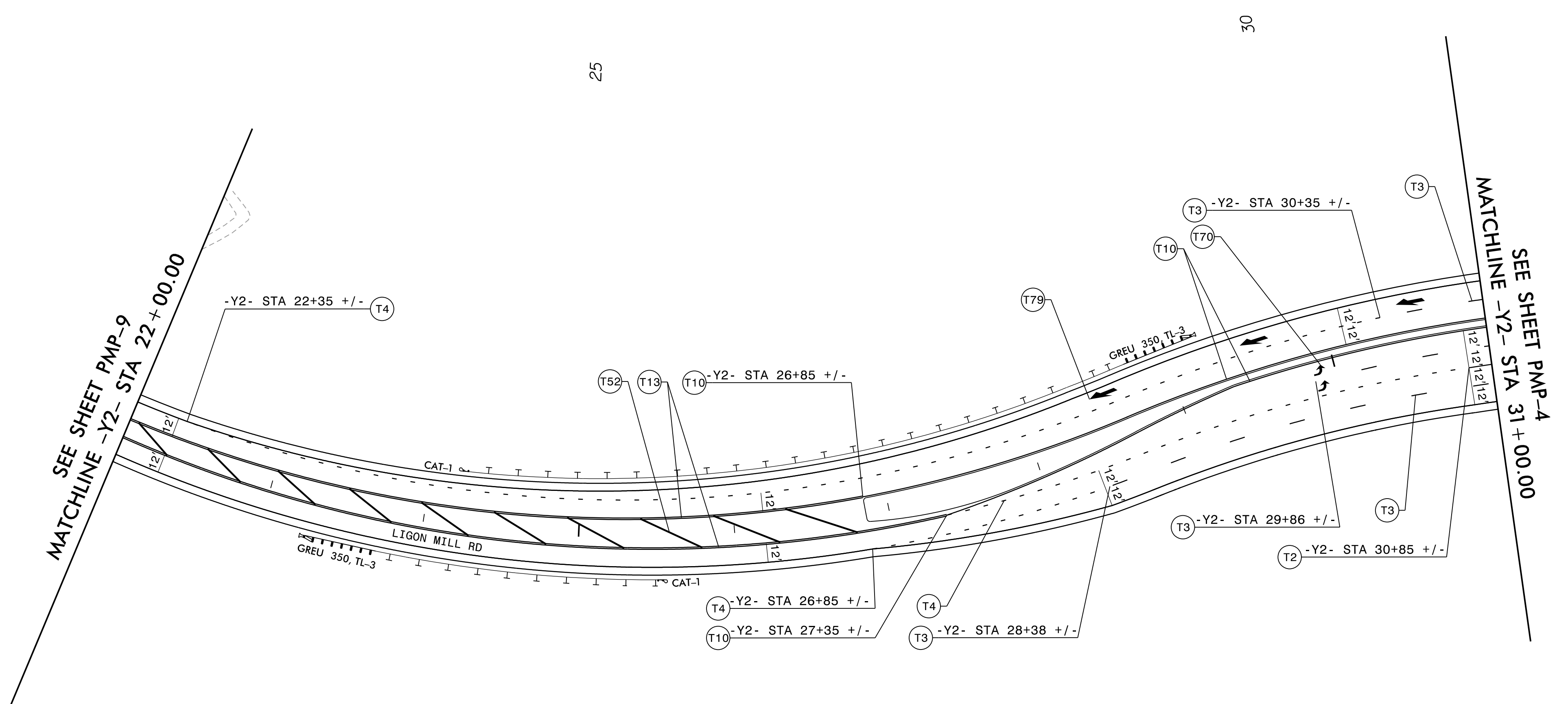
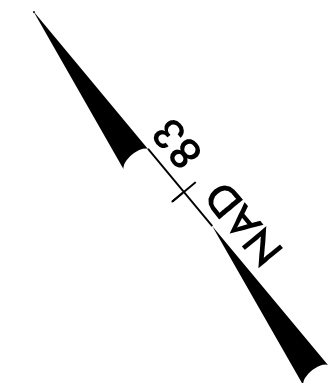


TIP NO.	SHEET NO.
U-5748	PMP-10
APPROVED: _____	
DATE: _____	
SEAL	
	
3/7/2023	
DOCUMENT NOT CONSIDERED FINAL UNLESS ALL SIGNATURES COMPLETED	



PAVEMENT MARKING DETAIL

1/11/2023
 p:\w\l\cecom-mc-pw-bentley.com\AECOM\DS21\NA_2020\Documents\60609754-U-5748 Ligon Mill\900-CAD-GIS\910-CAD\70-NCDDOT_TIP\Traffic\PMMP\U5748_pmp.psh10.dgn
 POST: lck.mcdpeter@son