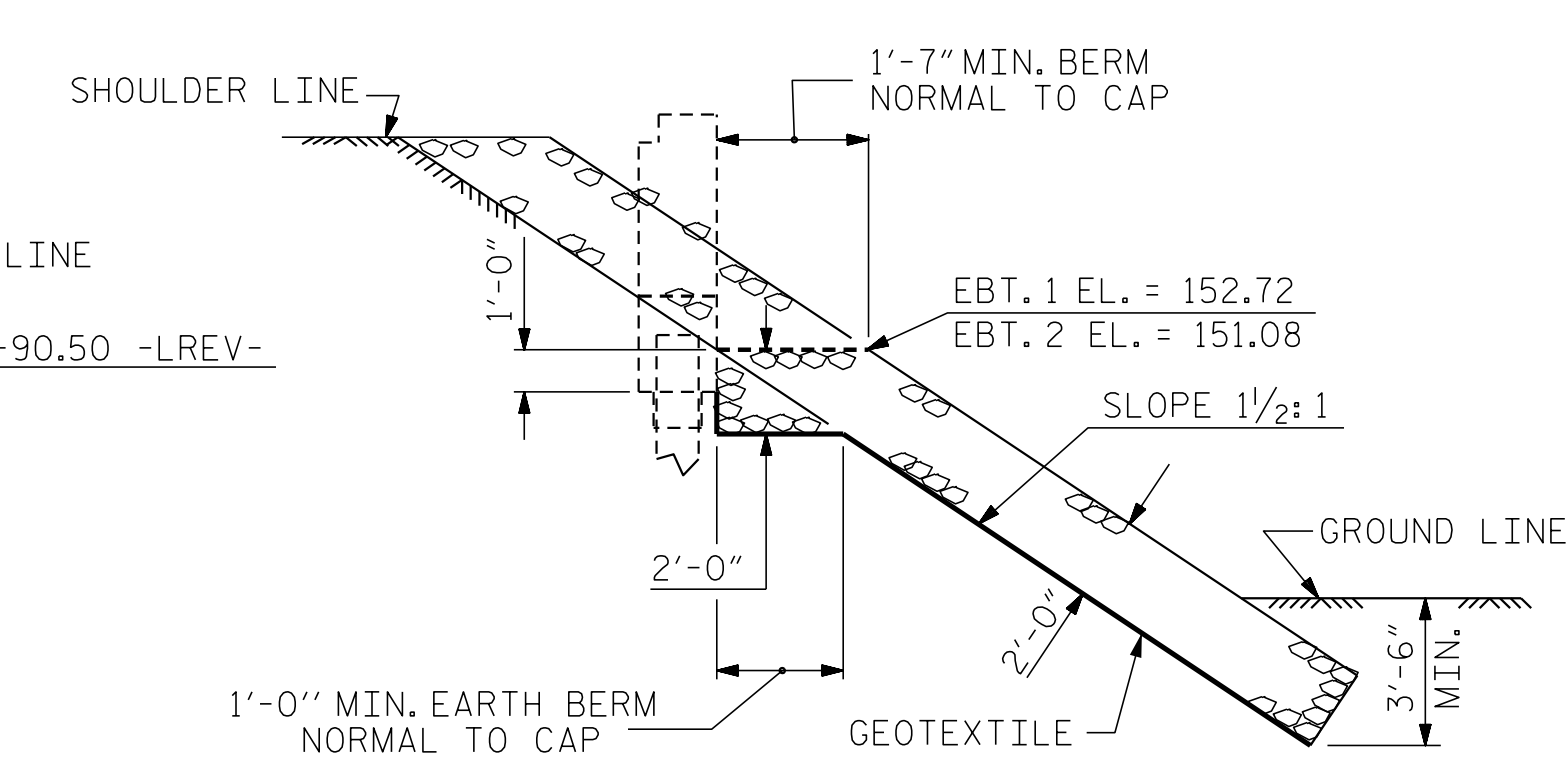
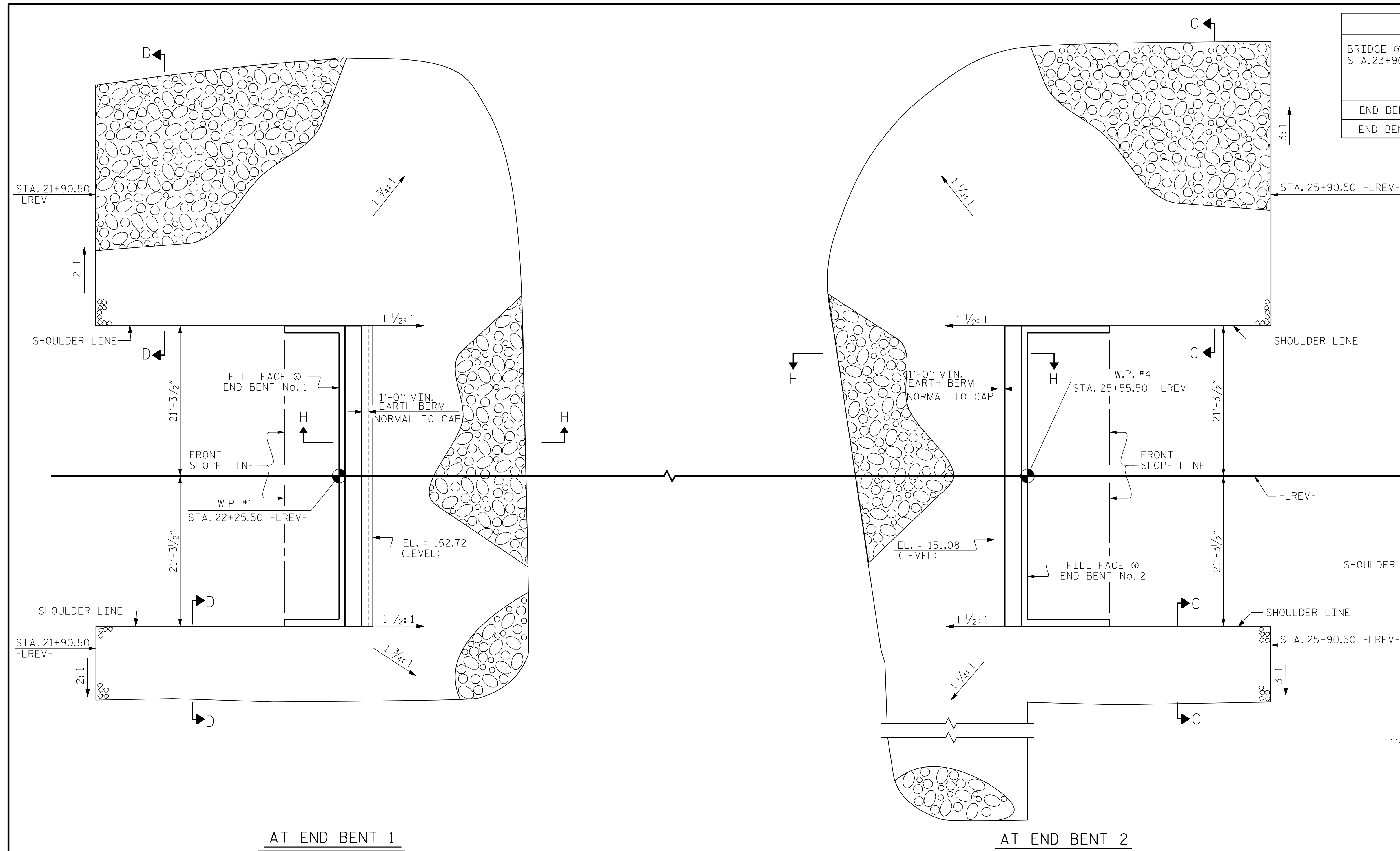


ESTIMATED QUANTITIES		
BRIDGE @ STA. 23+90.50 -LREV-	RIP RAP CLASS II (2'-0" THICK)	GEOTEXTILE FOR DRAINAGE
	TONS	SQUARE YARDS
END BENT 1	440	488
END BENT 2	535	595



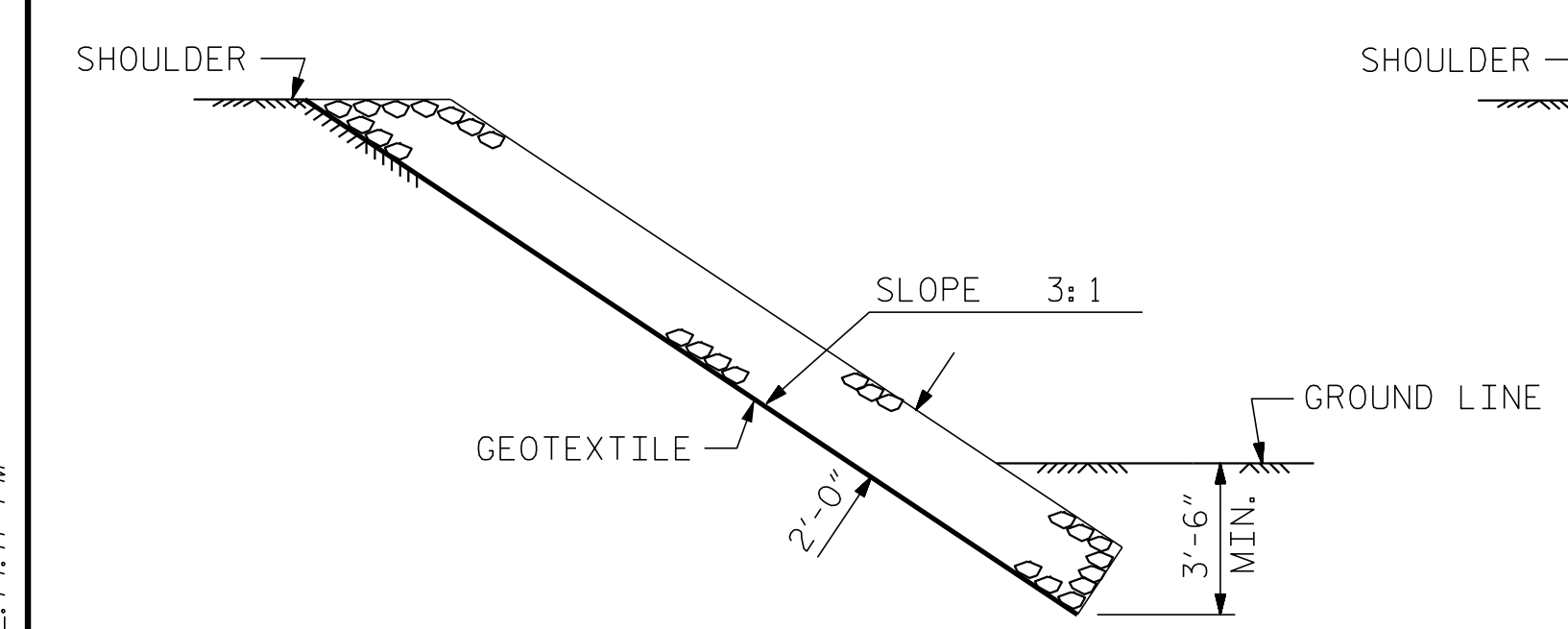
SECTION H-H

AT END BENT 1

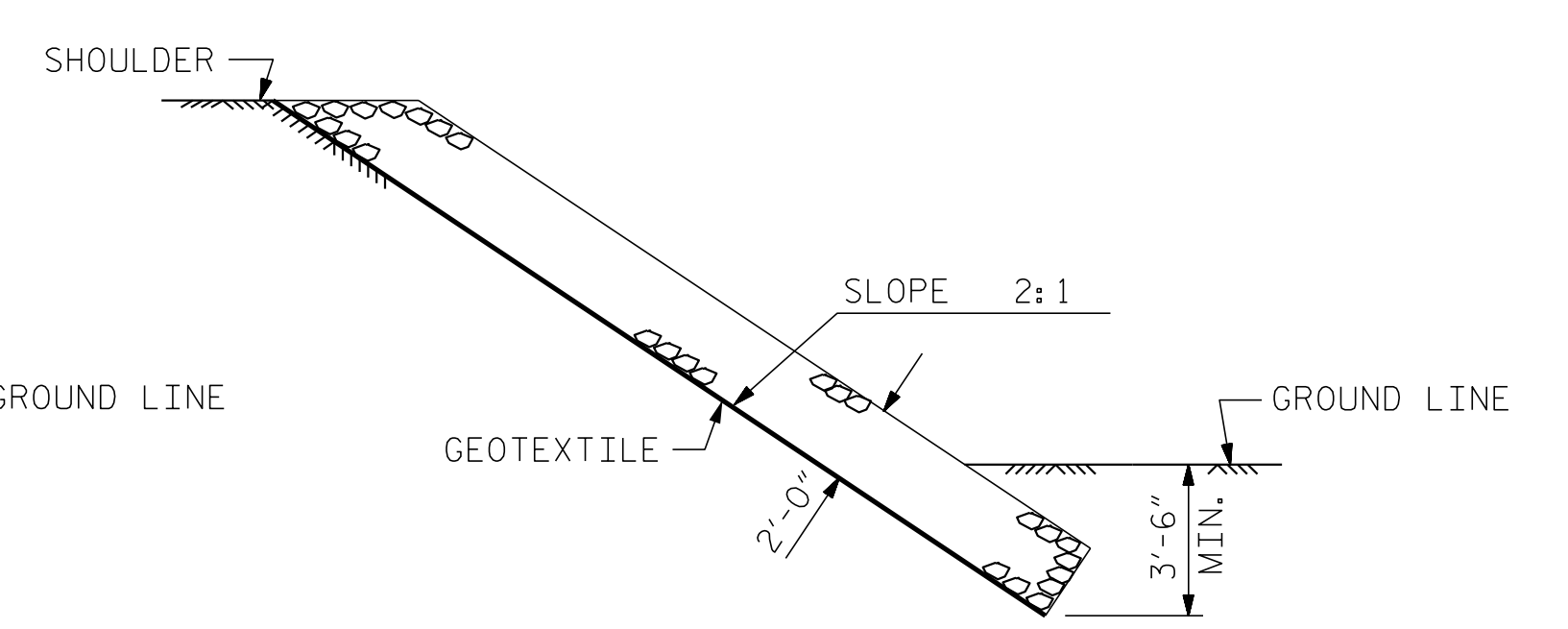
AT END BENT 2

PLAN OF RIP RAP

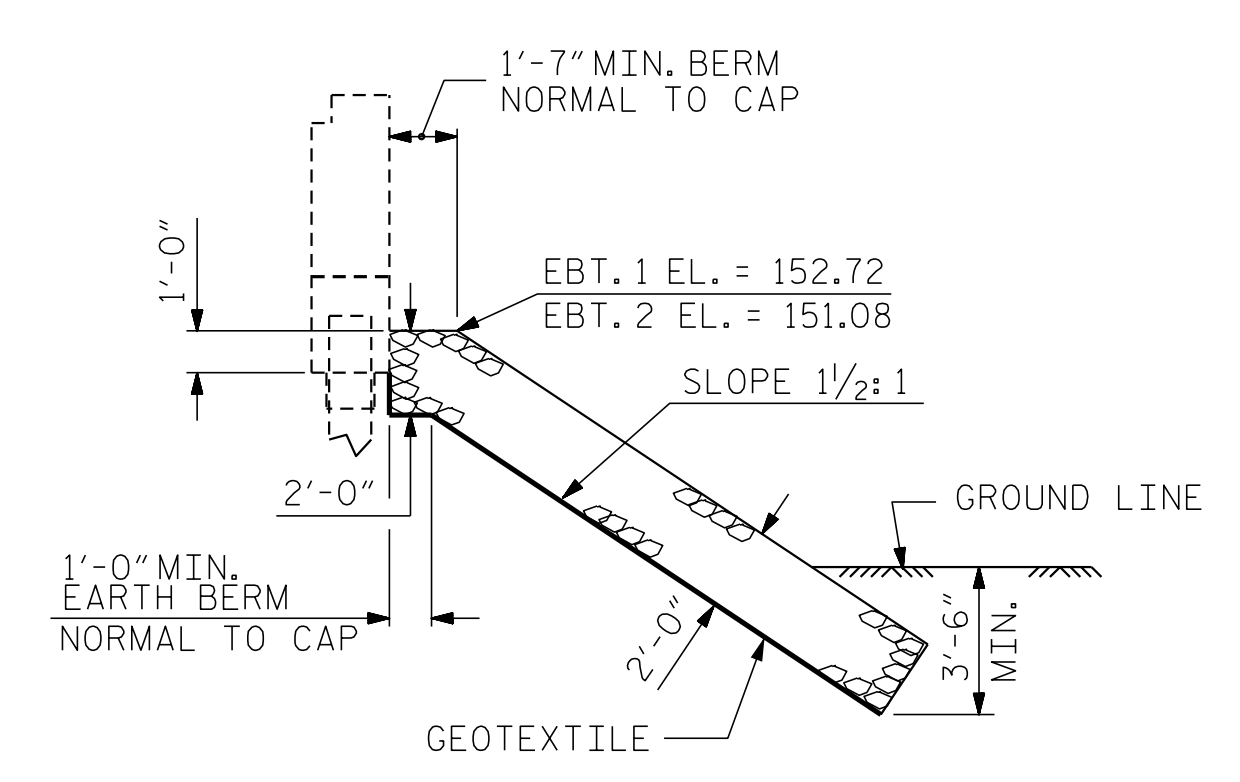
PROJECT NO. B-5947
NASH COUNTY
 STATION: 23+90.50 -LREV-



SECTION C-C



SECTION D-D



SECTION C-C
 BERM RIP RAPPED

DOCUMENT NOT CONSIDERED FINAL
 UNLESS ALL SIGNATURES COMPLETED

ENGINEER OF RECORD
 10/18/2021

Gregory M. Gilland
 WETHERILL ENGINEERING

1223 Jones Franklin Rd.
 Raleigh, N.C. 27606
 Bus: 919 851 8077
 Fax: 919 851 8107
 LICENSE NO. F-0377

STATE OF NORTH CAROLINA
 DEPARTMENT OF TRANSPORTATION
 RALEIGH

STANDARD
 RIP RAP DETAILS

REVISIONS					
NO.	BY:	DATE:	NO.	BY:	DATE:
1			3		
2			4		

SHEET NO.
 S-37
 TOTAL SHEETS
 39

P:\2019\1911401_B-5947\Structures\DGN\401_001_B5947_SMU_SP_001.dgn
 10/18/2021 12:14:17 PM

DRAWN BY: J. PENDERGRAFT DATE: 6-20
 CHECKED BY: J. DILWORTH DATE: 6-20