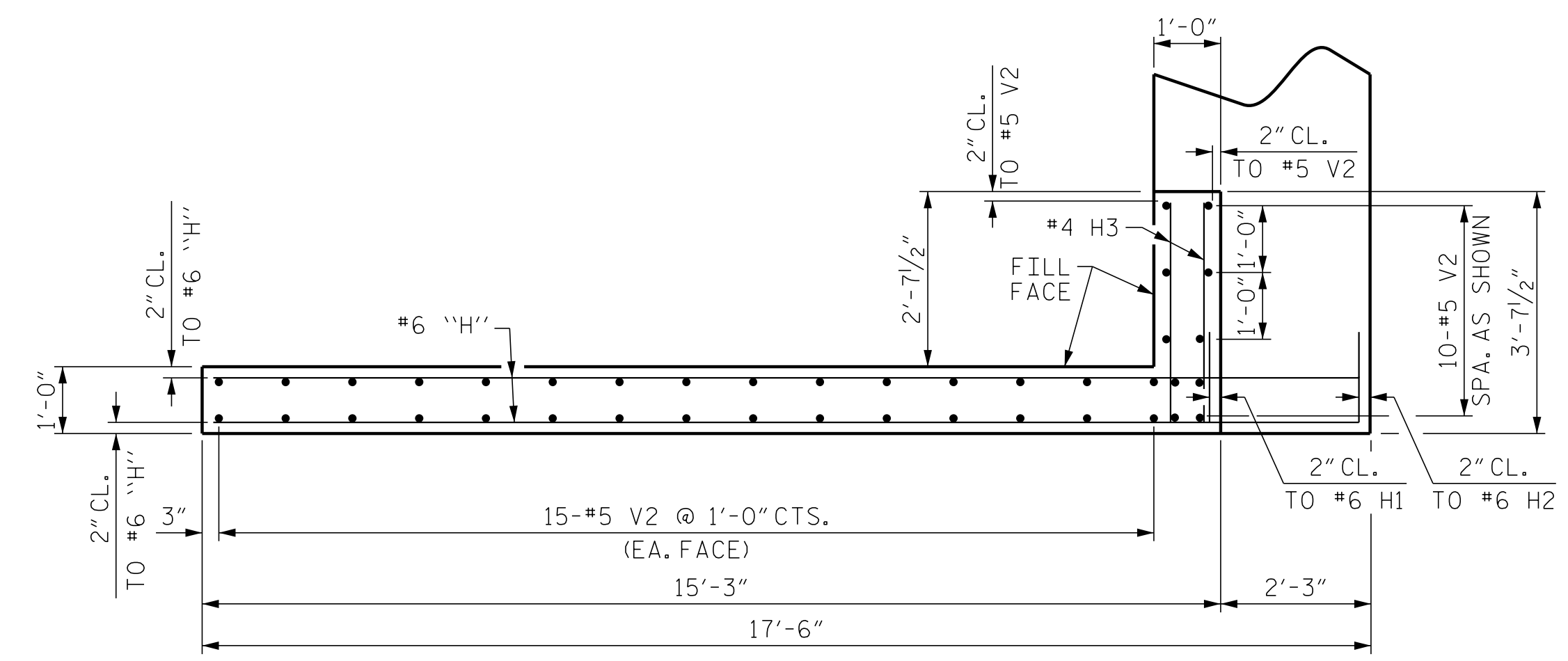
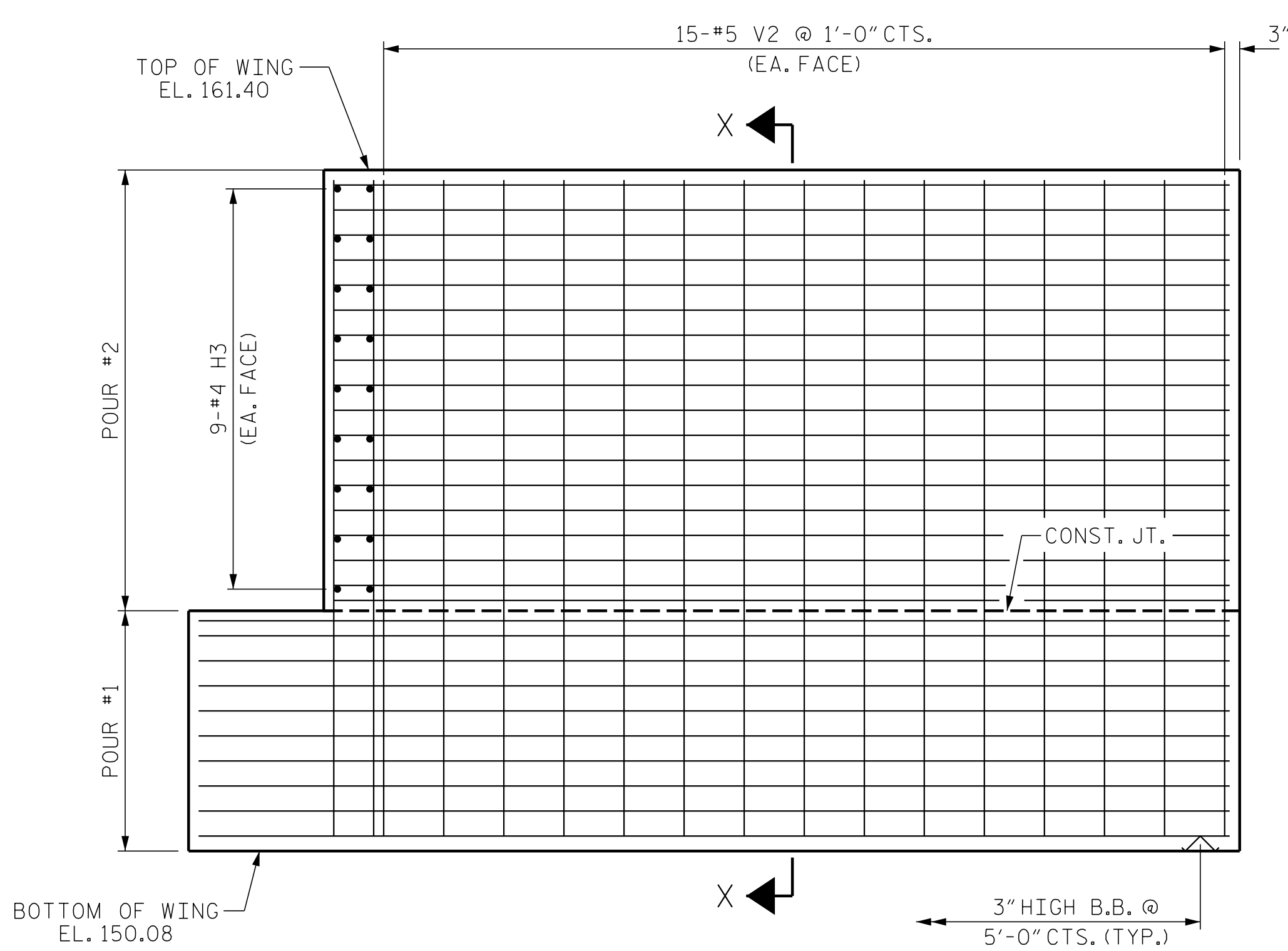


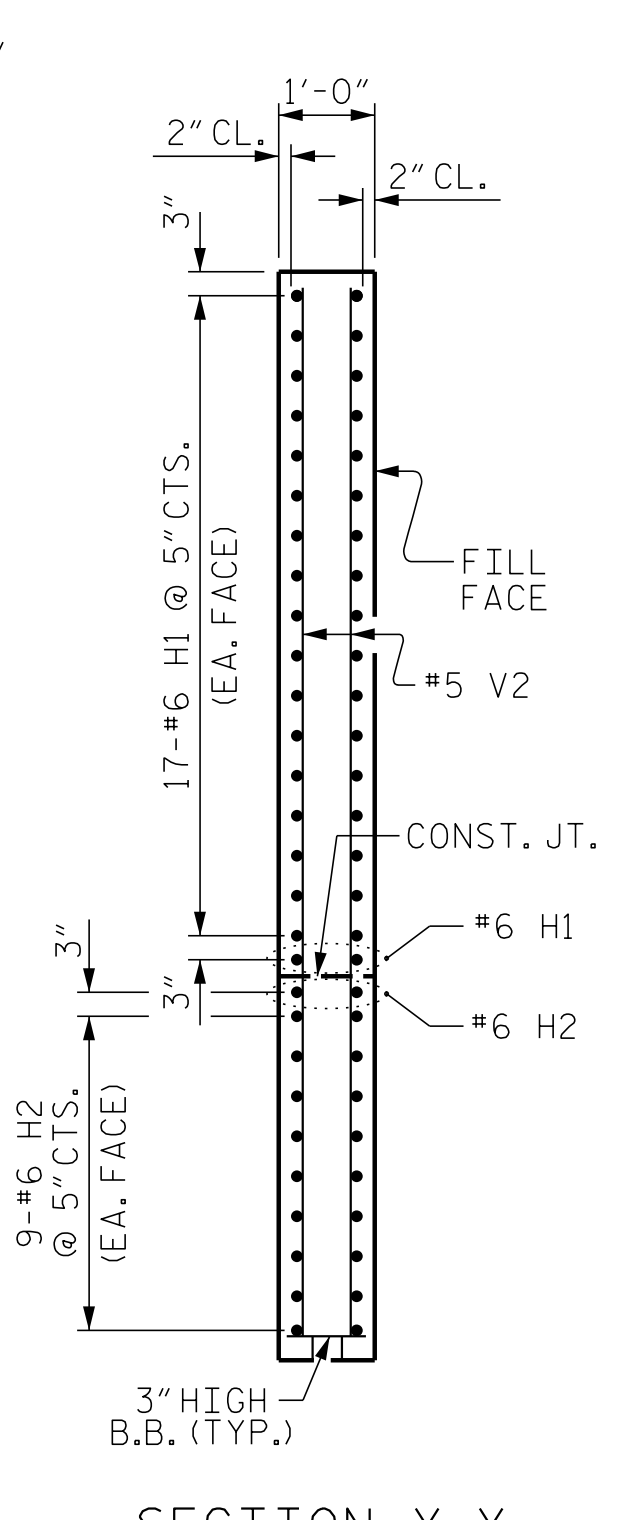
PLAN OF WING - W2



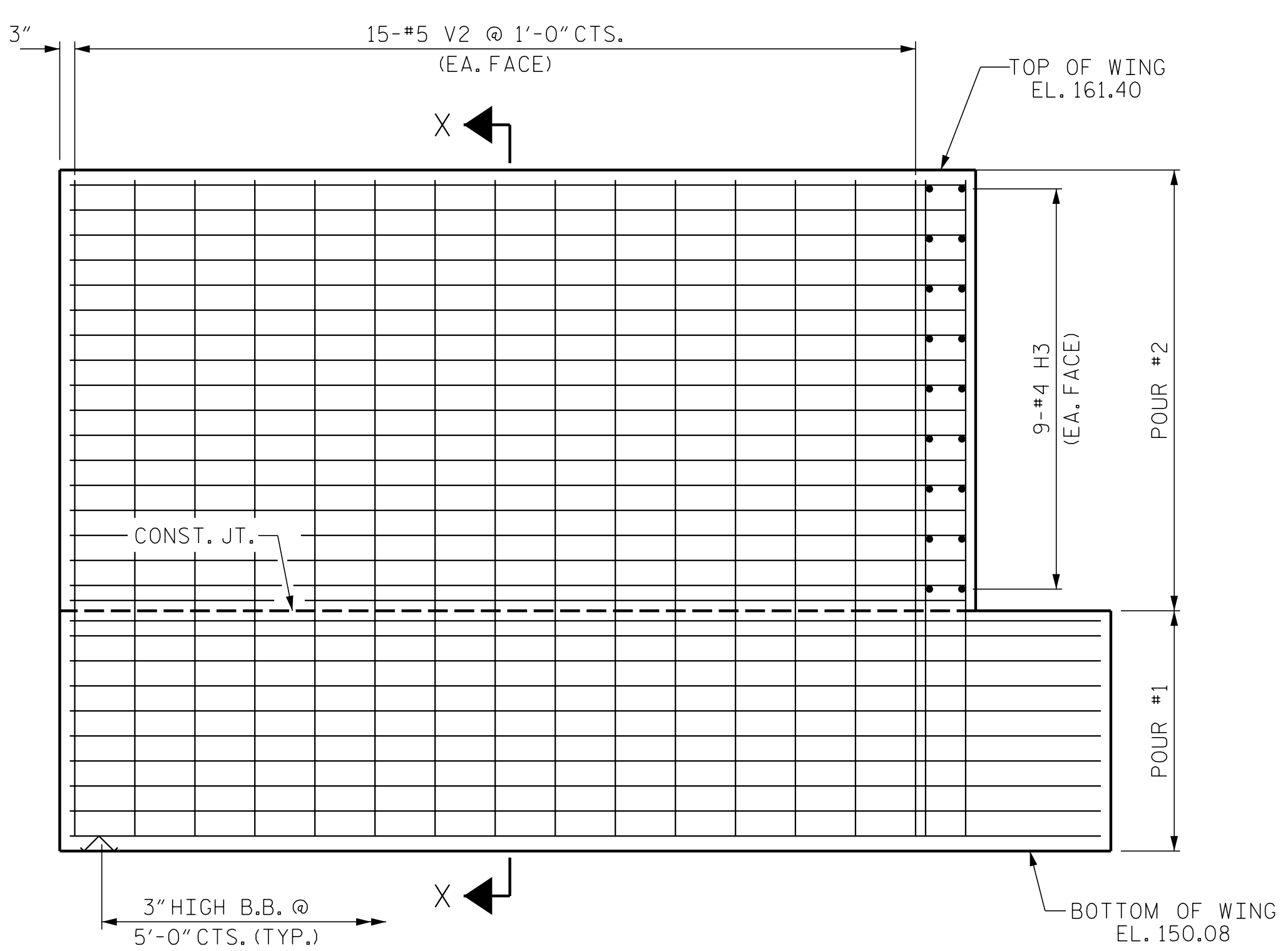
PLAN OF WING - W1



ELEVATION OF WING - W2

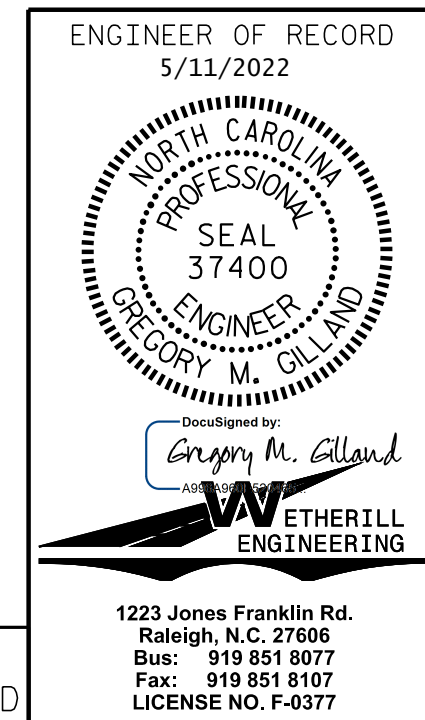


SECTION X-X



ELEVATION OF WING - W1

PROJECT NO. B-5947  
NASH COUNTY  
 STATION: 23+90.50 -LREV-  
 SHEET 2 OF 3



STATE OF NORTH CAROLINA DEPARTMENT OF TRANSPORTATION RALEIGH					
SUBSTRUCTURE END BENT No. 2					
REVISIONS					
NO.	BY:	DATE:	NO.	BY:	DATE:
1			3		
2			4		
SHEET NO.					S-35
TOTAL SHEETS					39

DRAWN BY: G. GILLAND DATE: 6/20  
 CHECKED BY: J. PENDERGRAFT DATE: 10/20

DOCUMENT NOT CONSIDERED FINAL  
 UNLESS ALL SIGNATURES COMPLETED

P:\2019\1911401\_B-5947\Structures\DWG\401\_001\_B5947\_SMU\_EB\_001.dgn  
 5/11/2022 11:18:02 AM