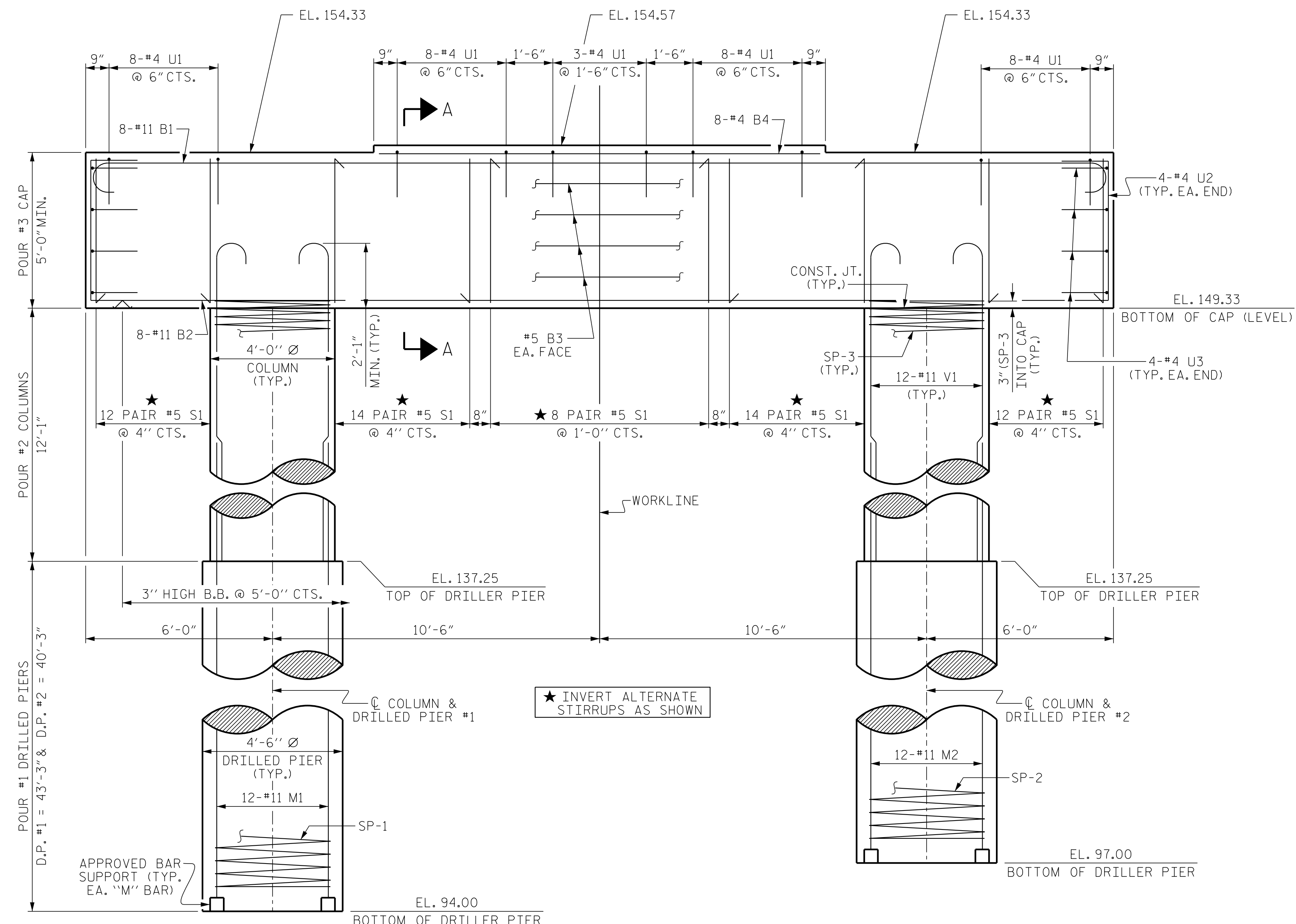
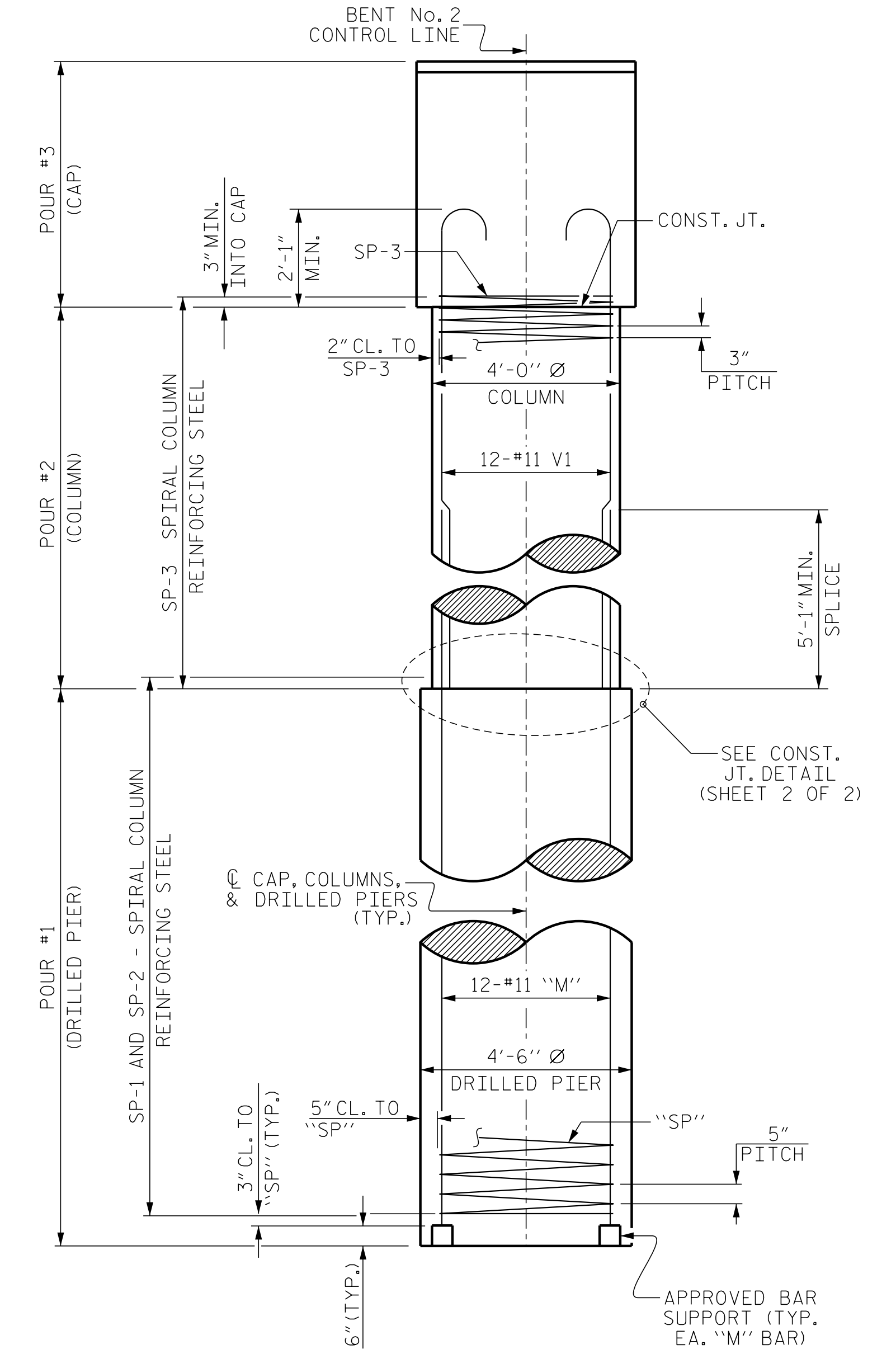


PLAN



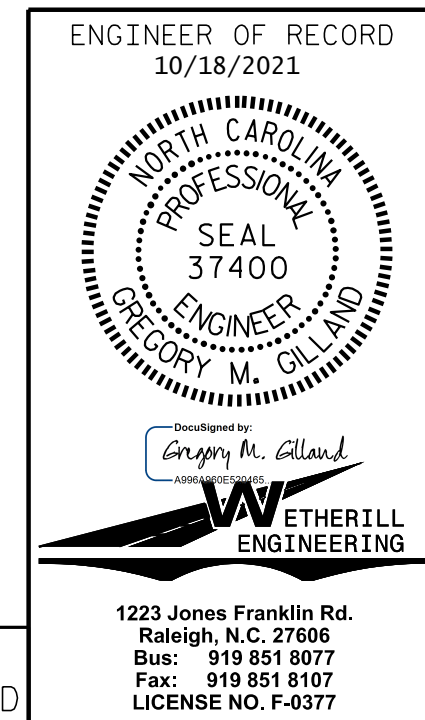
ELEVATION

FOR SECTION A-A, SEE SHEET 2 OF 2.  
(DIMENSION AND REINFORCING STEEL ARE TYPICAL FOR EACH COLUMN AND DRILLED PIER EXCEPT AS NOTED)



END ELEVATION

PROJECT NO. B-5947  
NASH COUNTY  
STATION: 23+90.50 -LREV-  
SHEET 1 OF 2



STATE OF NORTH CAROLINA DEPARTMENT OF TRANSPORTATION RALEIGH		SUBSTRUCTURE BENT No. 2			
REVISIONS					
NO.	BY:	DATE:	NO.	BY:	DATE:
1			3		
2			4		
SHEET NO.			S-32		
TOTAL SHEETS			39		

DRAWN BY: G.M. GILLAND DATE: 4/21  
CHECKED BY: D. HODGE DATE: 8-21

DOCUMENT NOT CONSIDERED FINAL  
UNLESS ALL SIGNATURES COMPLETED

P:\2019\1911401\_B-5947\Structures\DGN\401\_001\_B5947\_SMU\_B2\_001.dgn  
10/18/2021 12:06:28 PM