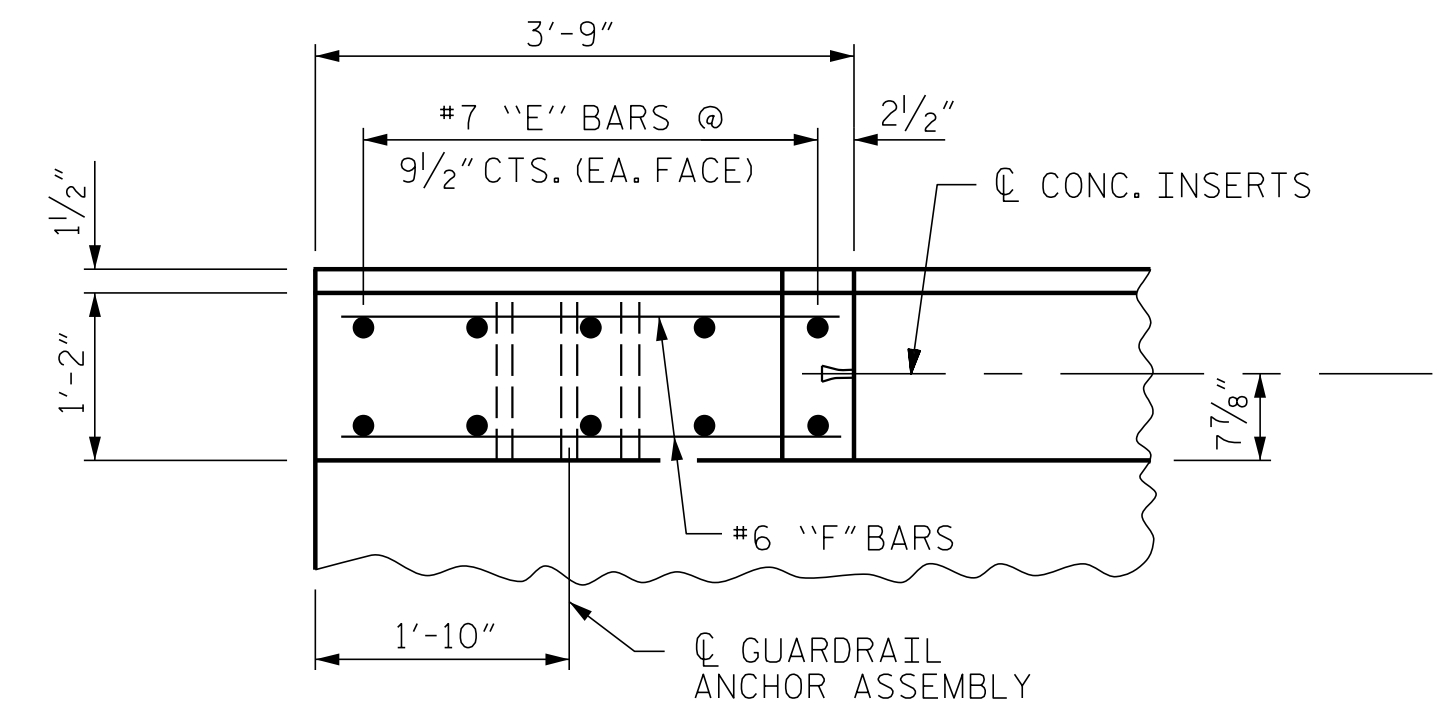
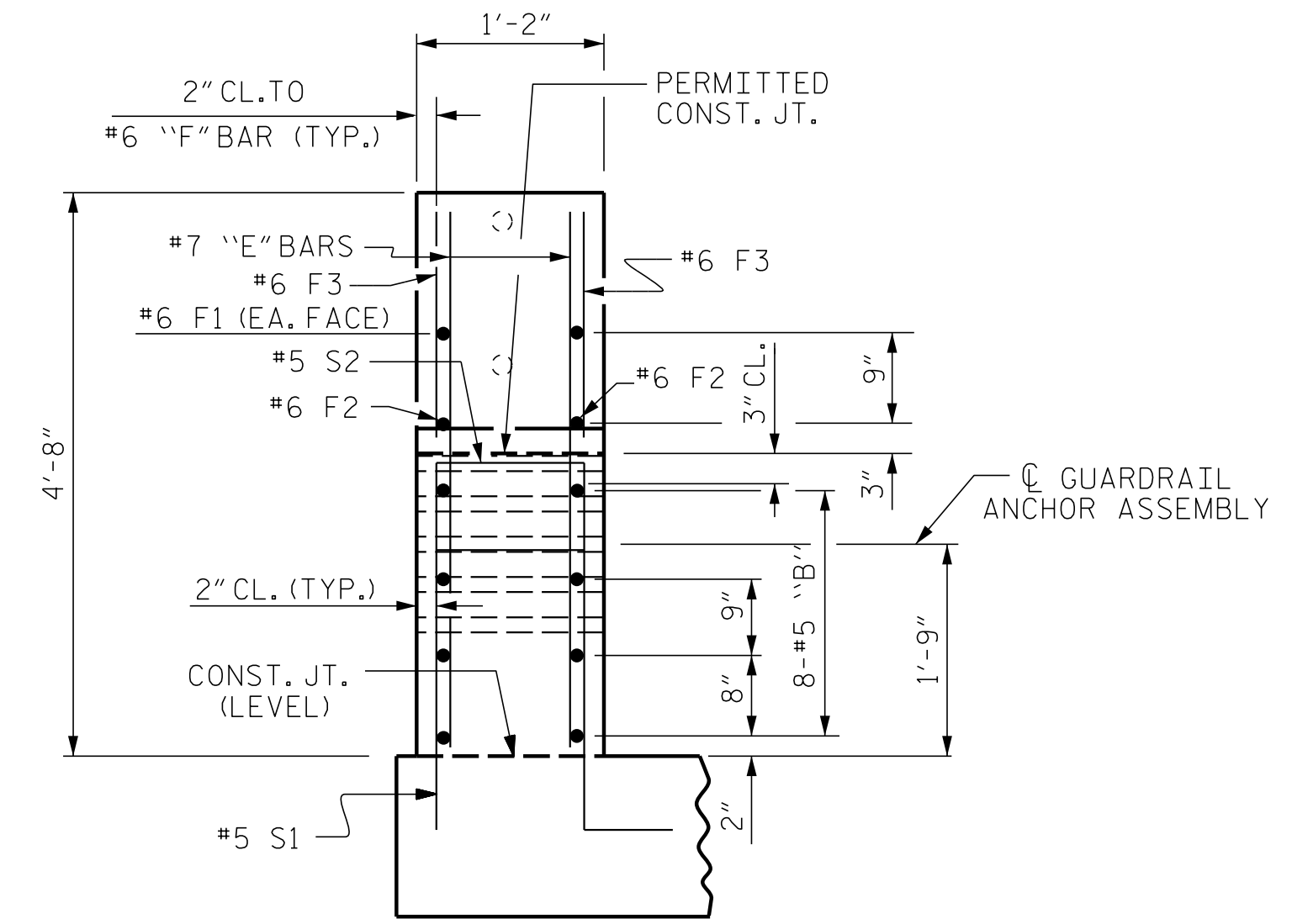


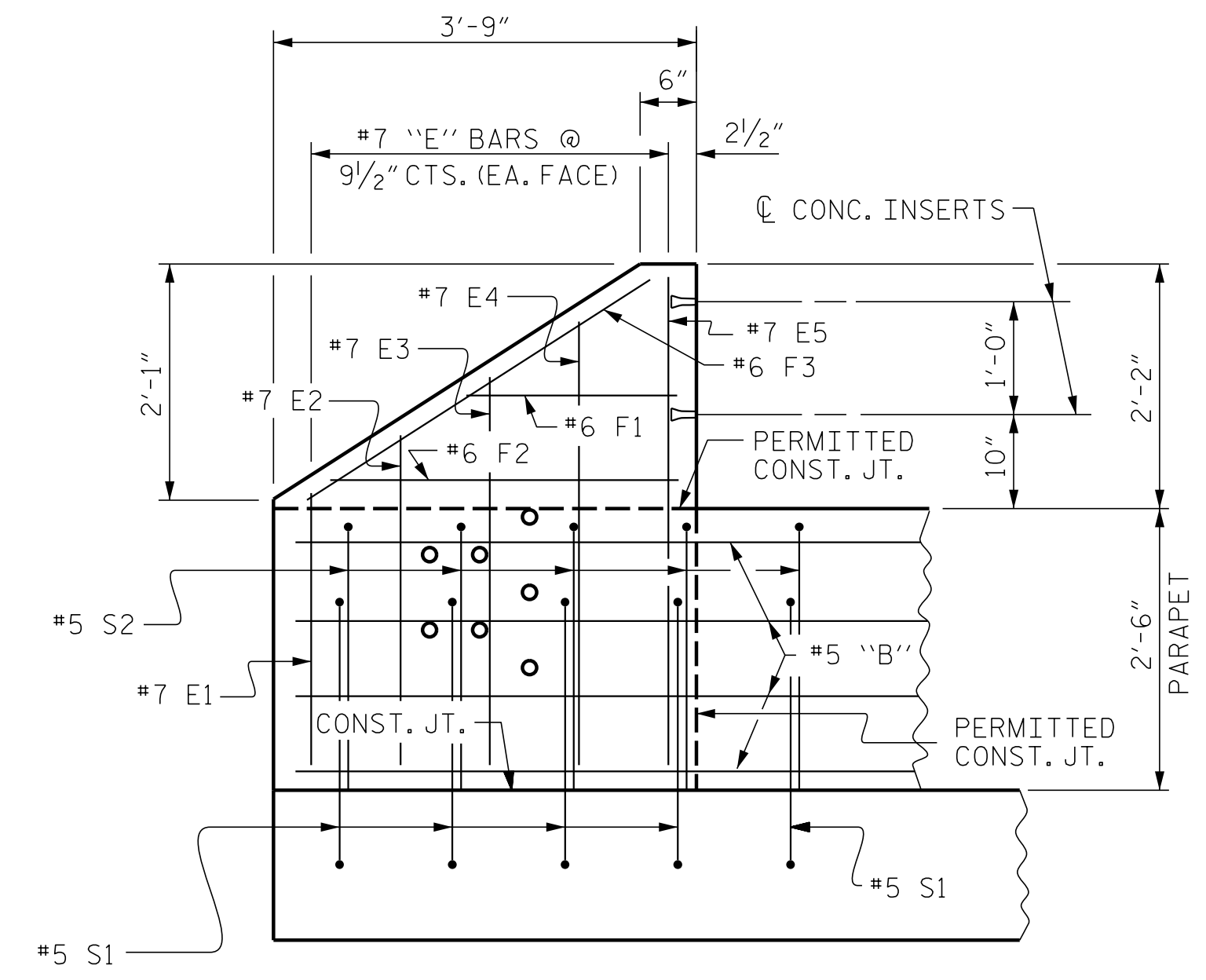
PLAN OF PARAPET



PLAN OF END POST

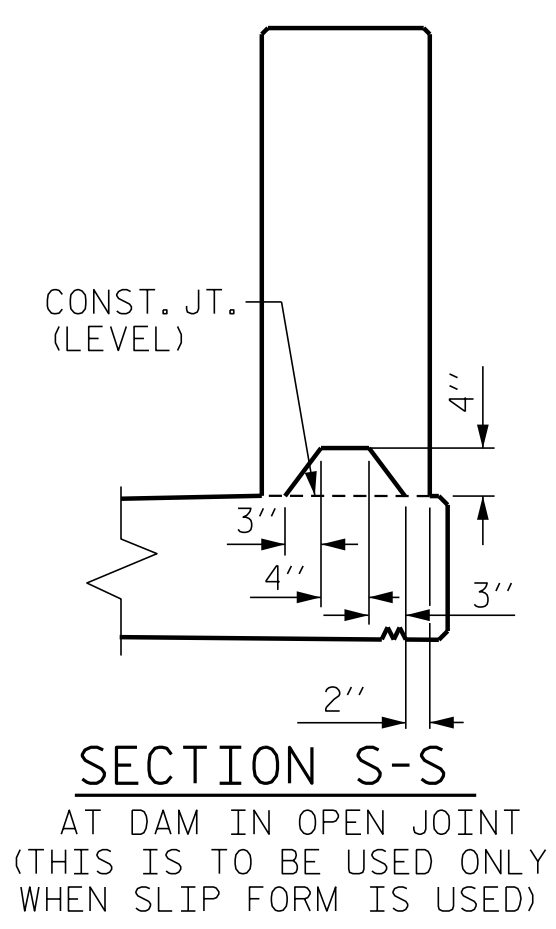


END VIEW

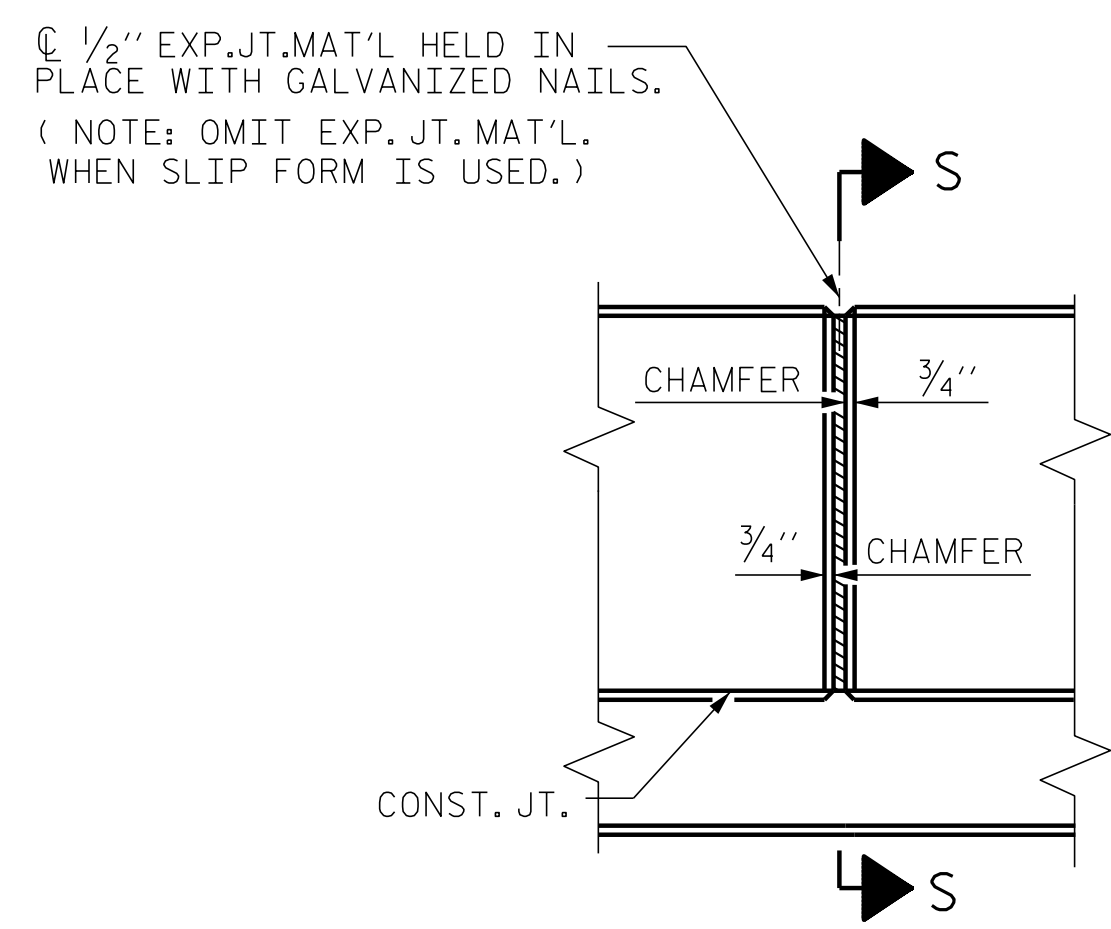


ELEVATION

PARAPET AND END POST FOR TWO BAR RAIL

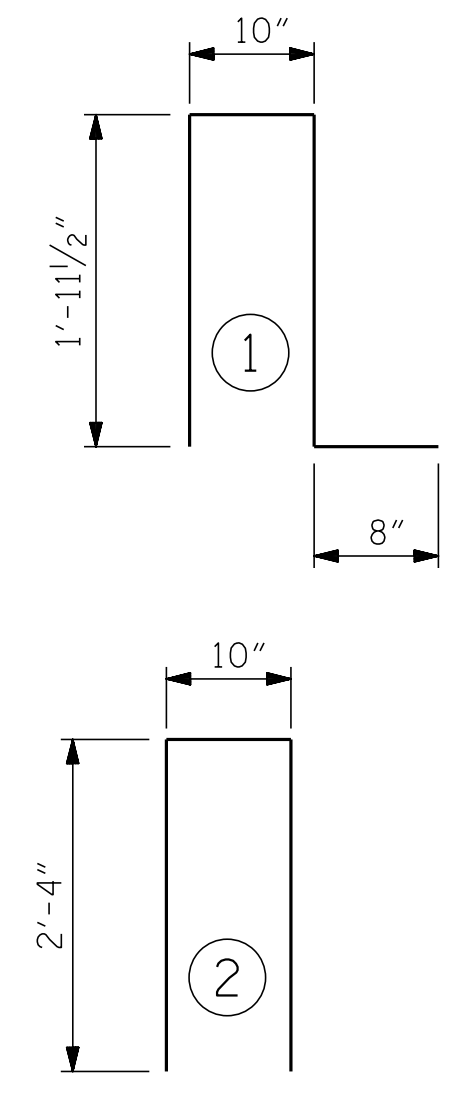


SECTION S-S  
AT DAM IN OPEN JOINT  
(THIS IS TO BE USED ONLY  
WHEN SLIP FORM IS USED)



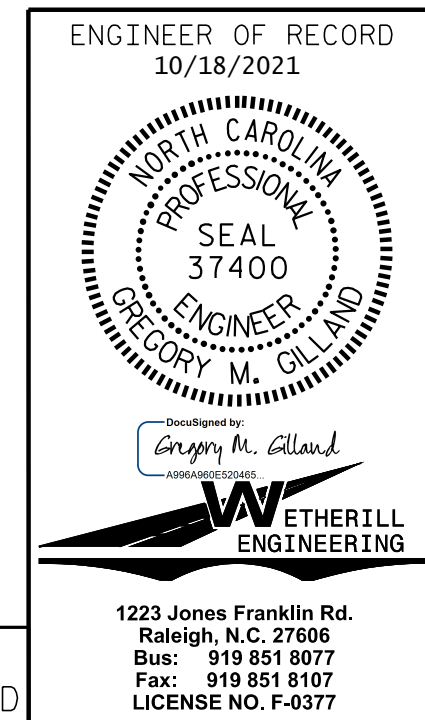
ELEVATION AT JOINTS IN PARAPET

BAR TYPE		BILL OF MATERIAL FOR PARAPETS AND 4 END POSTS					
BAR NO.	SIZE	TYPE	LENGTH	WEIGHT			
* B1	32	#5	STR	23'-9"	793		
* B2	128	#5	STR	24'-7"	3282		
* B3	64	#5	STR	19'-7"	1307		
* E1	8	#7	STR	2'-6"	41		
* E2	8	#7	STR	3'-0"	49		
* E3	8	#7	STR	3'-6"	57		
* E4	8	#7	STR	4'-0"	65		
* E5	8	#7	STR	4'-4"	71		
* F1	8	#6	STR	1'-10"	22		
* F2	8	#6	STR	3'-0"	36		
* F3	8	#6	STR	3'-4"	40		
* S1	658	#5	1	5'-5"	3717		
* S2	658	#5	2	5'-6"	3775		
				* EPOXY COATED REINFORCING STEEL	13,255	LBS.	
				CLASS "AA" CONCRETE	71.8	C.Y.	
				1'-2" x 2'-6" CONCRETE PARAPET	656.67	L.F.	



BAR DIMENSIONS ARE OUT TO OUT.

PROJECT NO. B-5947  
NASH COUNTY  
 STATION: 23+90.50 -LREV-  
 SHEET 2 OF 2



STATE OF NORTH CAROLINA DEPARTMENT OF TRANSPORTATION RALEIGH					
1'-2" x 2'-6" CONCRETE PARAPET FOR 2 BAR METAL RAIL					
REVISIONS					
NO.	BY:	DATE:	NO.	BY:	DATE:
1			3		
2			4		
					SHEET NO. S-20
					TOTAL SHEETS 39

DRAWN BY: D. HODGE DATE: 5/20  
 CHECKED BY: J. DILWORTH DATE: 5/20

DOCUMENT NOT CONSIDERED FINAL  
 UNLESS ALL SIGNATURES COMPLETED

P:\2019\1911401\_B-5947\Structures\DGN\401\_001\_B5947\_SMU\_CP\_001.dgn  
 10/18/2021 11:05:18 AM